

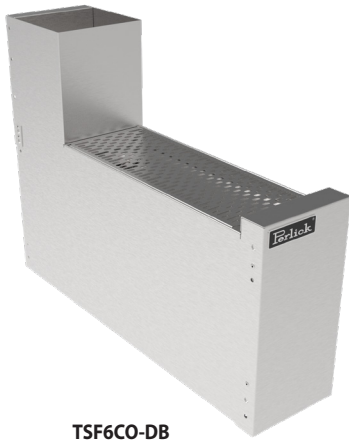


TOP SHELF FILLER SECTIONS
TS & TSF Series 6"W

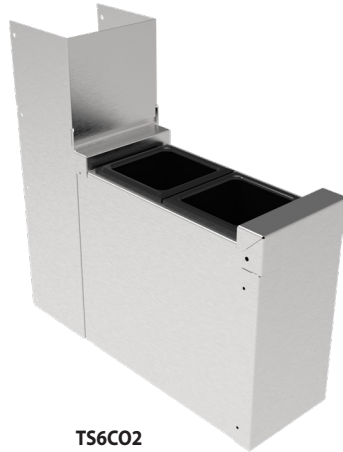


| | |
|-----------|--|
| JOB | |
| AREA | |
| ITEM NO. | |
| MODEL NO. | |

| MODELS |
|-----------|
| TS6FA |
| TS6CO-DB |
| TS6CO2 |
| TSF6CO-DB |



TSF6CO-DB



TS6CO2
(shown with 7055-74)



TS6FA

KEY PRODUCT FEATURES AND BENEFITS

- The chase cutout models accommodate beverage tubing or even drink rail drainer returns.
- Full box stainless steel construction helps ensure no gaps with adjacent equipment.
- Drainboard models' work surface has a removable perforated insert to make clean up a breeze.
- Drainboard surface captures excess moisture and has radius corners for easy cleaning.
- Mounts to adjoining equipment.
- Adds various functionality to your cocktail station based on the needs of the bartender.
- Bottle wells are made from high impact resistant material.
- Speedrails can run across or land on Perlick filler units.
- Flat top unit adds much needed workspace or storage to a busy cocktail station.

Additional Features:

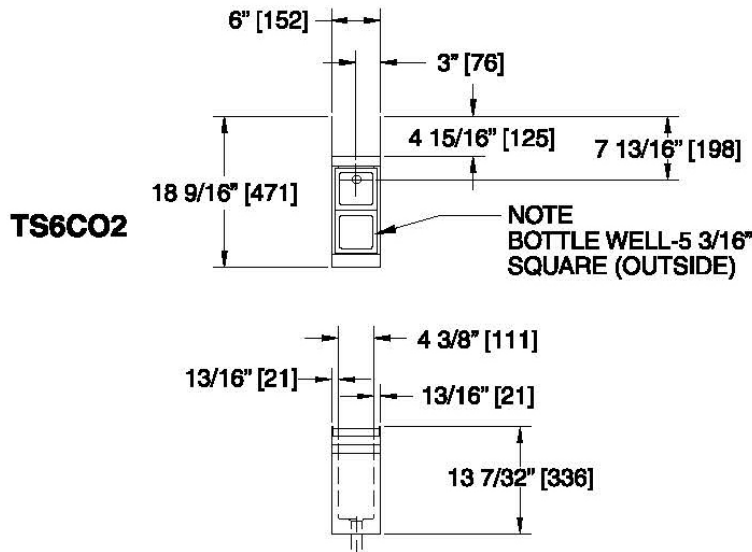
- Mounts to adjacent equipment (no leg mounting).
- Must be mounted to adjacent equipment (no legs) and best if factory assembled to adjacent equipment.

MODEL NUMBERS - TS6FA, TS6CO-DB, TS6CO2, TSF6CO-DB

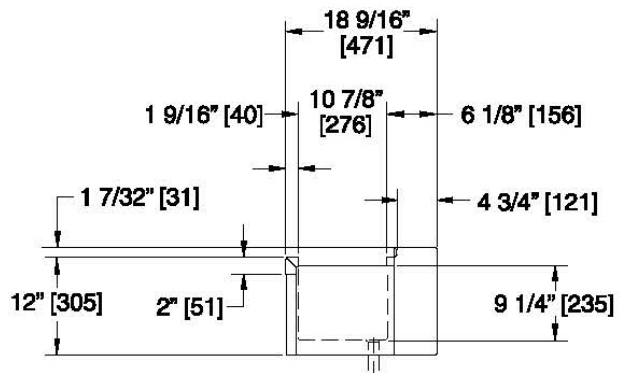


TOP SHELF FILLER SECTIONS
TS & TSF Series 6"W

| MODEL NOS. | | TS6FA | TS6CO-DB | TS6CO2 | TSF6CO-DB |
|----------------------|-----------------|--|---|--|---|
| DESCRIPTION | | With flat top | With access cutout and drainboard top | With access cutout and 2 bottle wells | with access cutout and drainboard top |
| DIMENSIONS: EXTERIOR | Width In. (mm) | 6" (152) | 6" (152) | 6" (152) | 6" (152) |
| | Depth In. (mm) | 18-9/16" | 18-9/16" | 18-9/16" | 24 |
| | Weight lb. (kg) | 7 (3) | 10 (4.5) | 10 (4.5) | 15 (7) |
| MATERIALS | Construction | All stainless steel | | | |
| | Front & Back | Stainless steel | | | |
| | Backsplash | Stainless steel 6" high with 1" return | | | |
| | Drainboard | N/A | Stainless steel drainboard, All horizontal and vertical edges 1/4" radius with ballbed corners, drain location is back center, 1-1/2" NPS drain socket. | N/A | Stainless steel drainboard, All horizontal and vertical edges 1/4" radius with ballbed corners, drain location is back center, 1-1/2" NPS drain socket. |
| | Insulated | N/A | N/A | Yes | N/A |
| MECHANICALS | Plumbing | Stainless steel drain socket located back center. Drain connection is 1" NPS male. | Stainless drain socket located back center. Drain connection is 1-1/2" NPS male. | Stainless drain socket located back center. Drain connection is 1" NPS male. | Stainless drain socket located back center. Drain connection is 1-1/2" NPS male. |

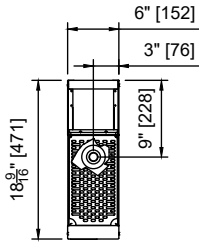


NOTE
 BOTTLE WELLS SHOWN
 IN TOP VIEW ONLY





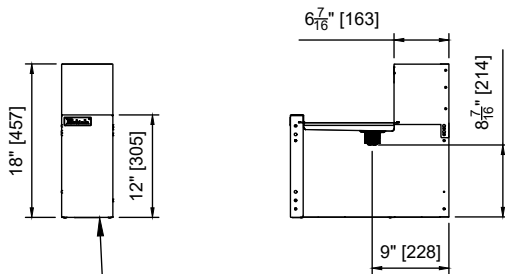
TOP SHELF FILLER SECTIONS
TS & TSF Series 6"W



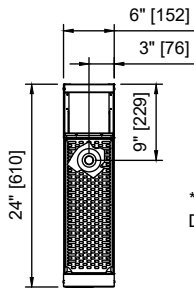
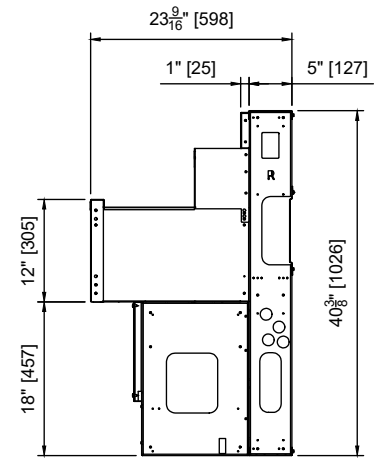
*CUT OUT SHOWN FOR DRAIN REFERENCE



TS6CO-DB



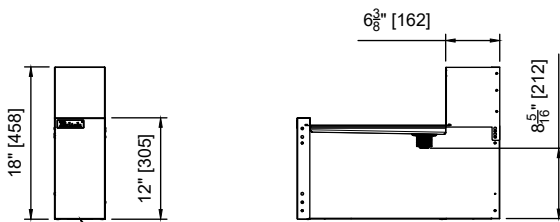
NO LEGS AVAILABLE
 ATTACH TO ADJACENT
 EQUIPMENT



*CUT OUT SHOWN FOR DRAIN REFERENCE



TSF6CO-DB



NO LEGS AVAILABLE
 ATTACH TO ADJACENT
 EQUIPMENT

