

Project: _____

Item: _____

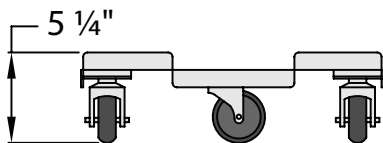
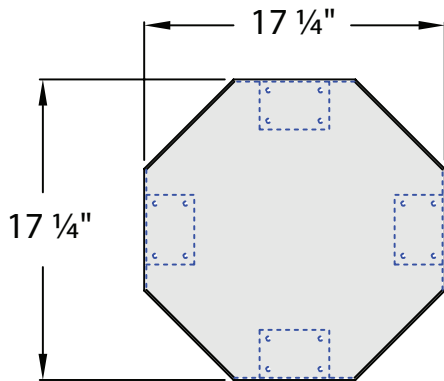
Quantity: _____

Keg Dolly



Tired of lugging around heavy kegs? The Keg Dolly is just what you need. Heavy-duty, low profile construction is easy to use and easy to maneuver. Base is constructed of 0.125" aluminum sheet with three lips up and five lips down; This holds the keg in place and doubles the overall strength. The three down turned lips make it easy to load and unload kegs.

- Equipped with four 3" plate type swivel casters for an easy to maneuver design.
- Non-marking wheels protect the floor and minimize noise.
- **Lifetime Guarantee** against rust and corrosion.
- **Five-Year Guarantee** against material defects and workmanship.
- **NSF Certified.**



► Keg Dolly

Model No.	Size W-H-L	Weight Capacity	Ship Lbs.
98037	17 1/4" x 5 1/4" x 17 1/4"	175 lbs.	13

Accommodates 1/4 and 1/2 Barrel Kegs up to 16 3/4" in diameter.

Four 3" plate type swivel casters.



New Age Industrial Corp., Inc. || NewAgeIndustrial.com || Made in the USA

PO Box 520 • 16788 US Hwy 36 • Norton, Kansas 67654 || Phone: (800) 255-0104 • (785) 877-5121 || Fax: (877)-877-7687 • (785) 877-2616

This information is for general sales and engineering use only. New Age Industrial reserves the right to modify or make changes at any time, without notice, to materials and specifications.