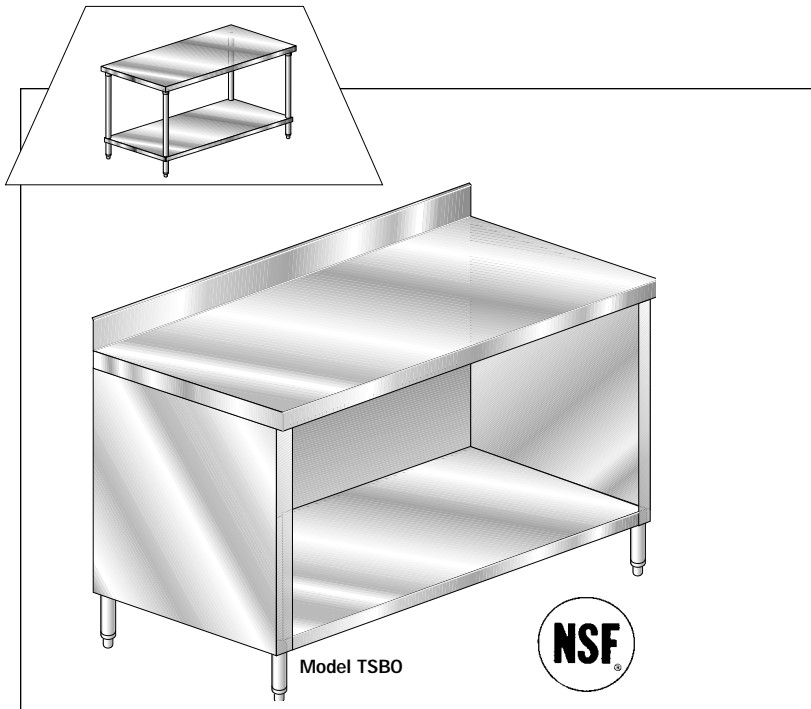




# WORK TABLE

## TGBO/TSBO SERIES 4" Backsplash, Enclosed Base



Item# \_\_\_\_\_ Project \_\_\_\_\_

### Galvanized

Quantity	ECONOMY 16GA 430 Model #	DELUX 16GA 304 Model #	PREMIUM 14GA 304 Model #
<b>24" WIDE</b>			
—	4TGBO-2448	3TGBO-2448	2TGBO-2448
—	4TGBO-2460	3TGBO-2460	2TGBO-2460
—	4TGBO-2472	3TGBO-2472	2TGBO-2472
—	4TGBO-2484	3TGBO-2484	2TGBO-2484
—	4TGBO-2496	3TGBO-2496	2TGBO-2496
—	4TGBO-24120	3TGBO-24120	2TGBO-24120
—	4TGBO-24144	3TGBO-24144	2TGBO-24144

### 30" WIDE

—	4TGBO-3048	3TGBO-3048	2TGBO-3048
—	4TGBO-3060	3TGBO-3060	2TGBO-3060
—	4TGBO-3072	3TGBO-3072	2TGBO-3072
—	4TGBO-3084	3TGBO-3084	2TGBO-3084
—	4TGBO-3096	3TGBO-3096	2TGBO-3096
—	4TGBO-30120	3TGBO-30120	2TGBO-30120
—	4TGBO-30144	3TGBO-30144	2TGBO-30144

### Stainless Steel

Quantity	ECONOMY 16GA 430 Model #	DELUX 16GA 304 Model #	PREMIUM 14GA 304 Model #
<b>24" WIDE</b>			
—	4TSBO-2448	3TSBO-2448	2TSBO-2448
—	4TSBO-2460	3TSBO-2460	2TSBO-2460
—	4TSBO-2472	3TSBO-2472	2TSBO-2472
—	4TSBO-2484	3TSBO-2484	2TSBO-2484
—	4TSBO-2496	3TSBO-2496	2TSBO-2496
—	4TSBO-24120	3TSBO-24120	2TSBO-24120
—	4TSBO-24144	3TSBO-24144	2TSBO-24144

### 30" WIDE

—	4TSBO-3048	3TSBO-3048	2TSBO-3048
—	4TSBO-3060	3TSBO-3060	2TSBO-3060
—	4TSBO-3072	3TSBO-3072	2TSBO-3072
—	4TSBO-3084	3TSBO-3084	2TSBO-3084
—	4TSBO-3096	3TSBO-3096	2TSBO-3096
—	4TSBO-30120	3TSBO-30120	2TSBO-30120
—	4TSBO-30144	3TSBO-30144	2TSBO-30144

### MATERIAL

#### TOP

- 2" turn down on 3 sides.
- Rear has a 4" splash.
- Two heavy gauge steel box channels on 24" wide tables for rigidity.
- Three heavy gauge steel box channels on 30" tables for rigidity.
- Sound deadened between table top and channels.

#### BODY

- 18 gauge galvanized steel or 430 Series stainless steel.

#### SHELF

- 18 gauge galvanized steel or 430 Series stainless steel.

#### LEGS

- 1 1/2" O.D. 16 gauge galvanized steel tubing or 16 gauge 304 series stainless steel tubing, complete with 1" adjustable, impact resistant, plastic or white metal feet.

### DESIGN FEATURES

- Undersheff is the largest in the industry.
- All tables fully cartoned.

### EXCLUSIVE AERO SAFETY EDGE

- All exposed edges hemmed to eliminate cuts from rough edges.

### CONSTRUCTION

- Top is polished to a #4 mill finish.
- Heliarc welded construction creates uniform, rock-solid unit.
- Gussets fully welded for extra rigidity.
- All tables shipped fully welded for strength and durability.

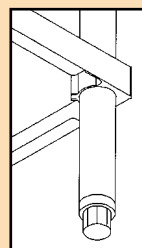
#### Note:

For intermediate shelf, please refer to pages TS-4A & TS-4B.

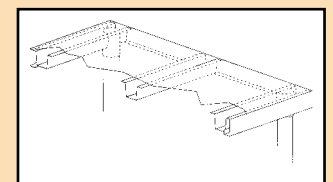
SEE PAGES SP-6A & SP-6B  
TO DESIGN YOUR  
FLEXIBLE WORKCENTER

CALL FOR  
36" WIDTH SPECIFICATIONS

CUSTOM SIZES AVAILABLE



Undersheff  
with Exclusive  
**AEROLock**  
Extrusion



Strongest Construction  
in the Industry

BUILT TO LAST A LIFETIME

email - sales@aeromfg.com

AERO MANUFACTURING COMPANY • 310 ALLWOOD ROAD, CLIFTON, NEW JERSEY 07012 • VOICE 973.473.5300 FAX 973.473.3794

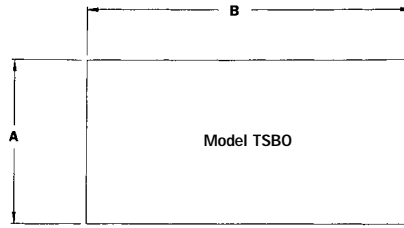
© Copyright 2001 Aero Manufacturing Company, Inc.

Specifications subject to change without notice.

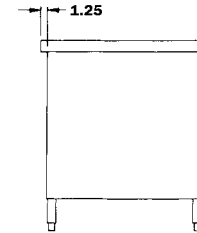
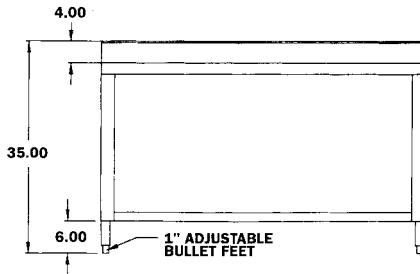
Page T-15A

# DIMENSIONAL SPECIFICATIONS

## TGBO/TSBO SERIES 4" Backsplash, Enclosed Base



- Tables over 72" in length are shipped as more than one cabinet.
- All feet have a full 1" adjustability.



### Galvanized

A Width	B Length	ECONOMY 16GA 430 Model #	DELUX 16GA 304 Model #	PREMIUM 14GA 304 Model #	Ship Weight	Cubic Feet
24	48	4TGBO-2448	3TGBO-2448	2TGBO-2448	200	17
24	60	4TGBO-2460	3TGBO-2460	2TGBO-2460	250	22
24	72	4TGBO-2472	3TGBO-2472	2TGBO-2472	300	26
24	84	4TGBO-2484	3TGBO-2484	2TGBO-2484	350	30
24	96	4TGBO-2496	3TGBO-2496	2TGBO-2496	400	35
24	120	4TGBO-24120	3TGBO-24120	2TGBO-24120	450	43
24	144	4TGBO-24144	3TGBO-24144	2TGBO-24144	500	50

### 30" WIDE

30	48	4TGBO-3048	3TGBO-3048	2TGBO-3048	225	22
30	60	4TGBO-3060	3TGBO-3060	2TGBO-3060	275	27
30	72	4TGBO-3072	3TGBO-3072	2TGBO-3072	325	33
30	84	4TGBO-3084	3TGBO-3084	2TGBO-3084	375	38
30	96	4TGBO-3096	3TGBO-3096	2TGBO-3096	425	43
30	120	4TGBO-30120	3TGBO-30120	2TGBO-30120	475	54
30	144	4TGBO-30144	3TGBO-30144	2TGBO-30144	525	60

### Stainless Steel

A Width	B Length	ECONOMY 16GA 430 Model #	DELUX 16GA 304 Model #	PREMIUM 14GA 304 Model #	Ship Weight	Cubic Feet
24	48	4TSBO-2448	3TSBO-2448	2TSBO-2448	200	17
24	60	4TSBO-2460	3TSBO-2460	2TSBO-2460	250	22
24	72	4TSBO-2472	3TSBO-2472	2TSBO-2472	300	26
24	84	4TSBO-2484	3TSBO-2484	2TSBO-2484	350	30
24	96	4TSBO-2496	3TSBO-2496	2TSBO-2496	400	35
24	120	4TSBO-24120	3TSBO-24120	2TSBO-24120	450	43
24	144	4TSBO-24144	3TSBO-24144	2TSBO-24144	500	50

### 30" WIDE

30	48	4TSBO-3048	3TSBO-3048	2TSBO-3048	225	22
30	60	4TSBO-3060	3TSBO-3060	2TSBO-3060	275	27
30	72	4TSBO-3072	3TSBO-3072	2TSBO-3072	325	33
30	84	4TSBO-3084	3TSBO-3084	2TSBO-3084	375	38
30	96	4TSBO-3096	3TSBO-3096	2TSBO-3096	425	43
30	120	4TSBO-30120	3TSBO-30120	2TSBO-30120	475	54
30	144	4TSBO-30144	3TSBO-30144	2TSBO-30144	525	60

All dimensions are typical (tol. ±1/2"). • For Accessories and Options see pages TS-5A & TS-5B.  
email - sales@aeromfg.com

AERO MANUFACTURING COMPANY • 310 ALLWOOD ROAD, CLIFTON, NEW JERSEY 07012 • VOICE 973473.5300 FAX 973.473.3794

ASK AERO:  
We can  
Customize  
any product  
for any  
Application!

---

Call for  
Details!