



Your Solutions Partner

Specifications

F.O.B. Sedalia, Missouri 65301



613Q-G1

OPTIONS:

- Stainless steel interior
- 27" stainless steel angular legs
- Stainless steel back enclosure panel
- Seismic feet
- Field stacking kit
- Common gas manifold
- 48" flexible disconnect, w/restraining device
- Down draft hood
- Flu deflector
- Casters
- Extra oven racks
- Prison package - tamper proof screws, lexan hinged cover with lockable clasp
- Extended warranty

Approval Stamp(s):

PRODUCT INFORMATION:

PROJECT: _____

ITEM: _____

QUANTITY: _____

MODEL:

Duke Convection Ovens - "Q" Series Single Deck - Standard Depth - Gas

- **613Q-G1** Single deck, standard depth

STANDARD FEATURES

- 6 racks/13 rack positions
- Porcelain interior finish
- 50/50 stainless steel independent doors
- Double pane glass both doors
- 27" angular painted/adjustable legs
- 2 Speed motor

OVEN SECTION

- Stainless steel front, sides and top
- 1 1/2" insulation on bottom, sides and back
- 3" insulation on top
- Interior lights

BURNER SYSTEM

- 40,000 BTU
- High output atmospheric burner system
- Main gas shut off valve
- Built-in gas regulator

OVEN CONTROLS

- "V" - Basic snap action thermostat (200°-500°F), 60 minute electric dial timer with continuous sound buzzer, 2-speed fan
- "XX" - Solid state digital time and temperature controls, 12-hour countdown timer, **Cook and Hold** feature, 2-speed fan, Pulse fan capability

Certifications



Specification subject to change

 **WARNING** For CA residents: go to www.dukemfg.com/prop65 for prop 65 warning

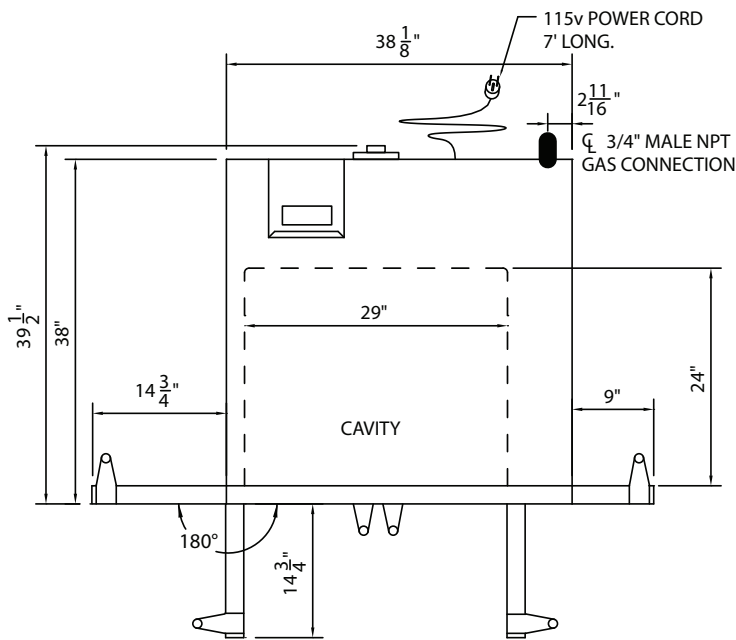
DUKE MANUFACTURING CO.
 2305 N. Broadway
 St. Louis, MO 63102
 800.735.3853 Toll Free
 314.231.5074 Fax
www.dukemfg.com
 SS-1078 613Q-G1 Single-Gas

REV D 06/15/2022

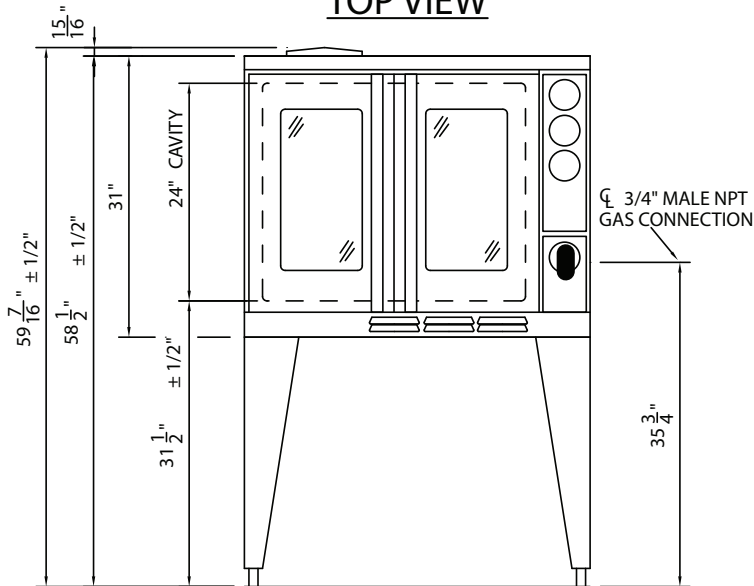
DUKE CONVECTION OVENS

"Q" SERIES

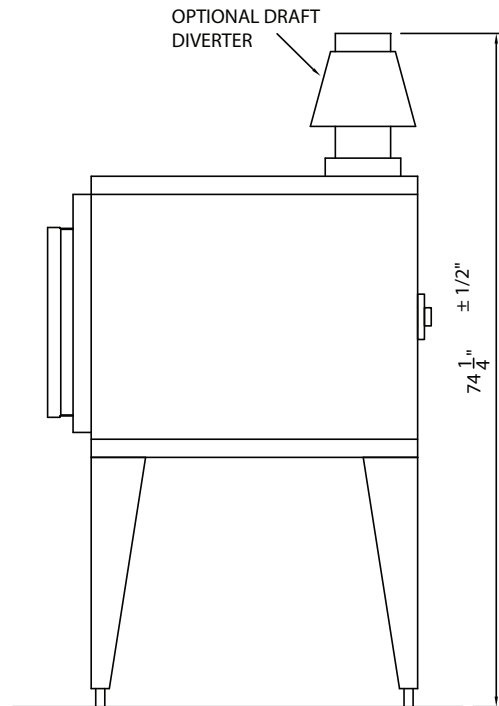
SINGLE DECK - GAS - STANDARD DEPTH



TOP VIEW



FRONT VIEW



RIGHT SIDE VIEW

Gas Specifications		
613Q-G1	BTU/Hour	40,000
Regulated gas pressure required 3.5" WC natural / 10" WC propane		
Combustible surface clearance - 1" side, 1" rear, 6" floor		
● Gas connection		
3/4" Gas connection		
Electrical requirements: 3.5 Amps/ 115V		
Standard 115V units supplied with 5' cord and plug		

Specify gas type
Specify altitude over 2000 feet

DIMENSIONS:

Freight Class: 85

Model	Height		Width		Depth		Cube ft. crated	Weight	
	in.	cm	in.	cm	in.	cm		lbs.	kg
613Q-G1	39.5	100.3	38	96.5	60.	152.4	59.6	540	245.5



Duke Manufacturing Co.
2305 N. Broadway
St. Louis, MO 63102

Phone: 314-231-1130
Toll Free: 1-800-735-3853
Fax: 314-231-5074

www.dukemfg.com