

# T&S BRASS AND BRONZE WORKS, INC.

2 Saddleback Cove / P.O. Box 1088  
Travelers Rest, SC 29690

Model No.

**B-0670-POL**

Item No.

Travelers Rest, SC: 800-476-4103 • Simi Valley, CA: 800-423-0150 • Fax: 864-834-3518 • www.tsbrass.com



**ADA Compliant**

This Space for Architect/Engineer Approval

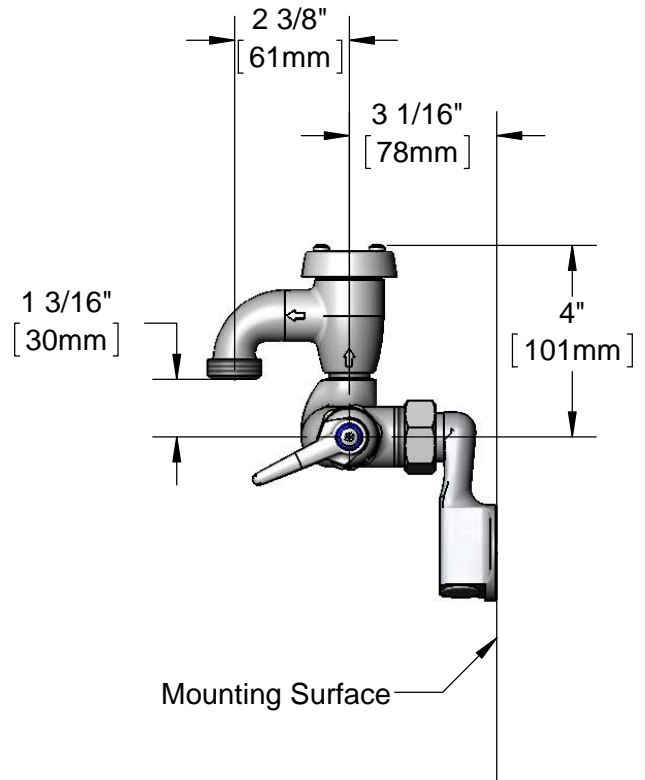
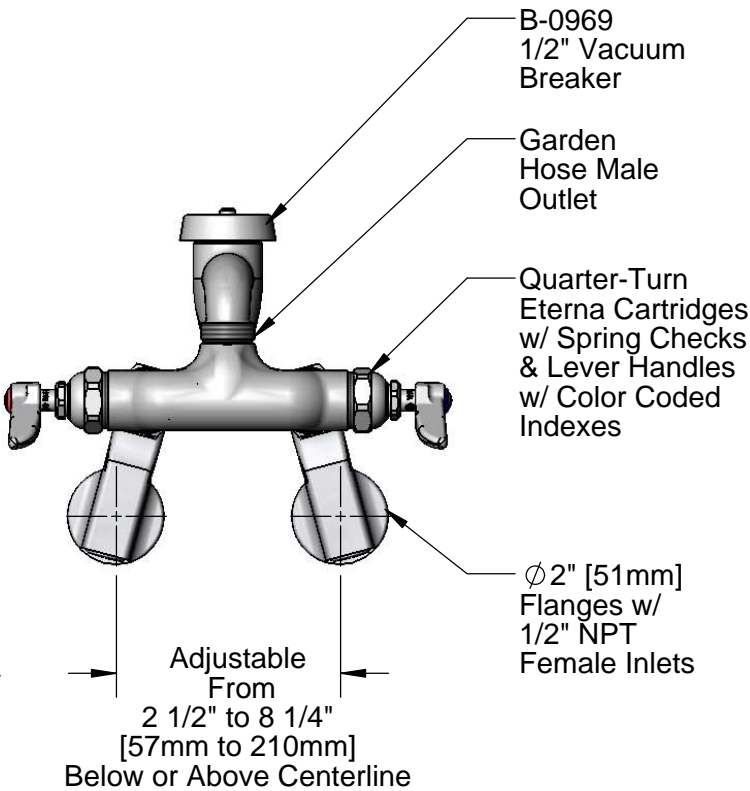
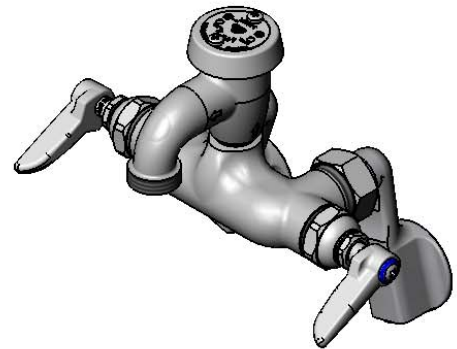
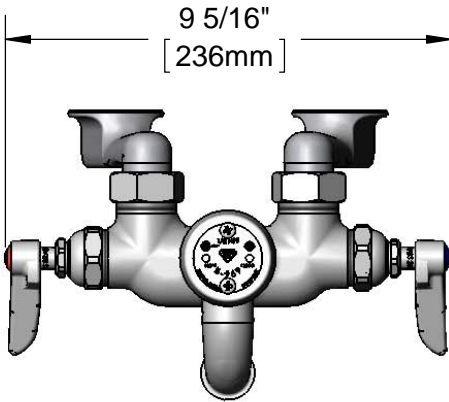
Job Name \_\_\_\_\_ Date \_\_\_\_\_

Model Specified \_\_\_\_\_ Quantity \_\_\_\_\_

Customer/Wholesaler \_\_\_\_\_

Contractor \_\_\_\_\_

Architect/Engineer \_\_\_\_\_



**Product Specifications:**

Adjustable Wall Mount Service Sink Faucet, Quarter-Turn Eterna Cartridge w/ Spring Checks, Polished Chrome Finish, Vacuum Breaker, Lever Handles, 1/2" NPT Female Adjustable Inlets & Garden Hose Male Outlet

**Product Compliance:**

ASME A112.18.1 / CSA B125.1  
NSF 61 - Section 9  
NSF 372 (Low Lead Content)  
ANSI A117.1 (ADA)  
ASSE 1001 (VB)



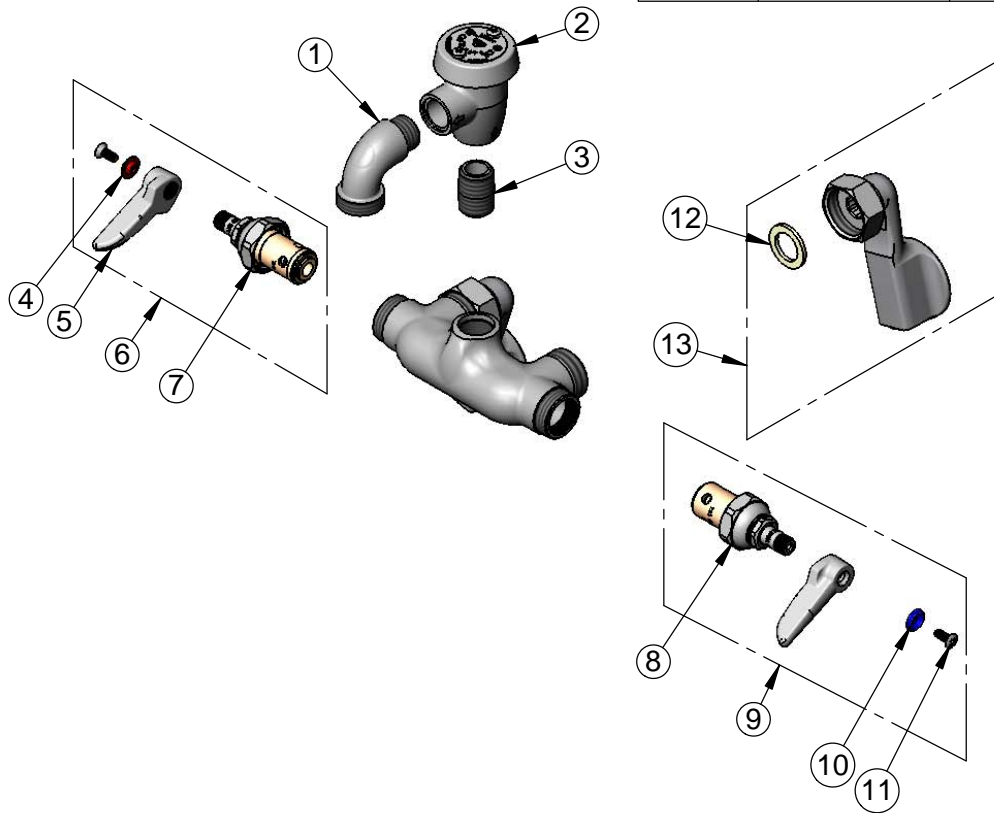
**T&S BRASS AND BRONZE WORKS, INC.**  
 2 Saddleback Cove / P.O. Box 1088  
 Travelers Rest, SC 29690

Model No.  
**B-0670-POL**

Item No.

Travelers Rest, SC: 800-476-4103 • Simi Valley, CA: 800-423-0150 • Fax: 864-834-3518 • www.tsbrass.com

ITEM NO.	SALES NO.	DESCRIPTION
1	001618-40	Spout, Short
2	B-0969	1/2" NPT Vacuum Breaker
3	002534-25	Close Nipple, 1/2" NPT
4	001661-45	Red Index-HW
5	001638-45	Lever Handle
6	002712-40	Quarter-Turn Eterna Cartridge, RTC w/ Spring Check, Handle, Index & Screw
7	012243-40	Quarter-Turn Eterna Cartridge, RTC w/ Spring Check
8	012242-40	Quarter-Turn Eterna Cartridge, LTC w/ Spring Check
9	002711-40	Quarter-Turn Eterna Cartridge, LTC w/ Spring Check, Handle, Index & Screw
10	001660-45	Blue Index-CW
11	000922-45	Lever Handle Screw
12	001019-45	Coupling Nut Washer
13	00GG	Flange Assembly, 1/2" NPT, Adjustable



**Product Specifications:**

Adjustable Wall Mount Service Sink Faucet, Quarter-Turn Eterna Cartridge w/ Spring Checks, Polished Chrome Finish, Vacuum Breaker, Lever Handles, 1/2" NPT Female Adjustable Inlets & Garden Hose Male Outlet

**Product Compliance:**

ASME A112.18.1 / CSA B125.1  
 NSF 61 - Section 9  
 NSF 372 (Low Lead Content)  
 ANSI A117.1 (ADA)  
 ASSE 1001 (VB)