



Model: \_\_\_\_\_ Item #: \_\_\_\_\_ Date: \_\_\_\_\_

Project: \_\_\_\_\_ Qty: \_\_\_\_\_ Approved By: \_\_\_\_\_

# Regulator Panels with Wall Brackets



**A**



## Standard Features

- Allows for a simple way to route beer lines, while maintaining a neat installation within your walk-in cooler
- Includes most accurate, tamper-proof, regulator in the beverage dispense industry
- Thanks to the design of the manifold, the regulator body can be repaired or replaced in the field with ease
- Panels are pre-drilled and made up of NSF approved material that can be sealed directly to cooler wall
- Significantly less pressure drop compared to the competition means less foam and more profit
- Each Regulator Panel includes air hose, beer connector(s), nuts, tailpieces, washers, and hose clamps
- Stainless steel wall bracket

**B**



Model	Overall Length (A)	Width (B)	# of Beer Lines	Weight (lbs)
A KBP-W1	11"	8-1/2"	1	6
B KBP-W2	11"	17"	2	8
C KBP-W3	11"	17"	3	14
D KBP-W4	11"	17"	4	18

**C**



**D**





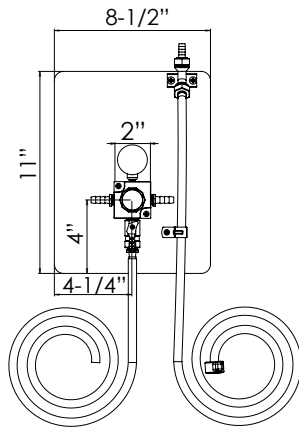
Model: \_\_\_\_\_ Item #: \_\_\_\_\_ Date: \_\_\_\_\_

Project: \_\_\_\_\_ Qty: \_\_\_\_\_ Approved By: \_\_\_\_\_

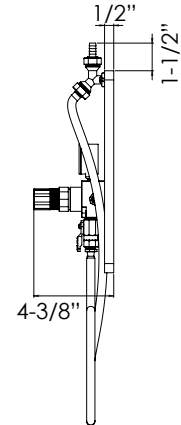
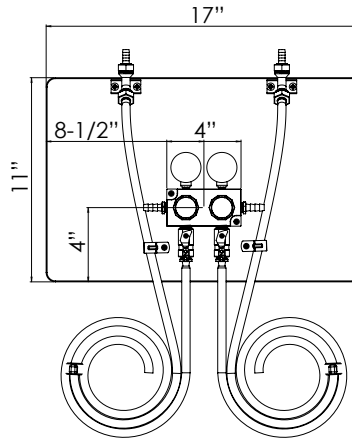
# Regulator Panels with Wall Brackets

**MASTERTAP**

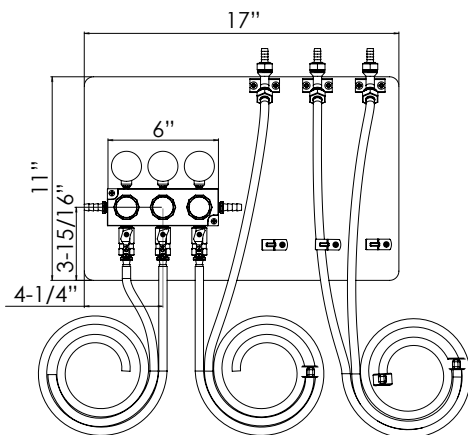
**KBP-W1**



**KBP-W2**



**KBP-W3**



**KBP-W4**

