

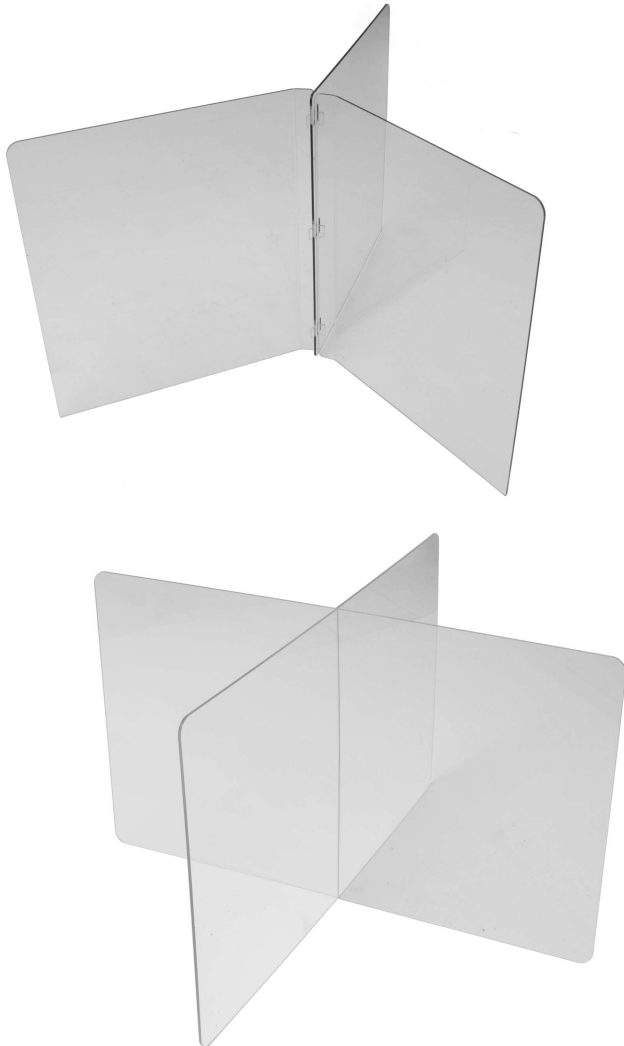


Profit from the Eagle Advantage®

Specification Sheet

Short Form Specifications

Eagle 3-Way and 4-Way Shield Dividers for Square or Round Tables. Panels interlock to create dividers to section off tables. Available for square or round tables in corresponding sizes and number of dividers.



Item No.:	_____
Project No.:	_____
S.I.S. No.:	_____

3-Way and 4-Way Dividers for Square or Round Tables

MODELS:

- BGTD-2448
- BGTD-2460
- BGTD-3048
- BGTD-3060
- BGTD-3Y36
- BGTD-3Y42
- BGTD-3Y48

3-Way Dividers

- Curved design creates a 3-way divider.
- 3/16"-thick durable polycarbonate.
- No tools required for assembly.
- Optional drop edge can be added to prevent sliding.

4-Way Dividers

- Two (2) panels interlock to form a four-way "X"-shaped divider.
- 7/32"-thick durable plexiglass.
- Knocks down flat for storage.
- Optional drop edge can be added to prevent sliding on tabletop.

Options / Accessories

- Drop edge
- Upgrade to polycarbonate
- Company logo added
- Custom edge banding
- Custom configurations

Certifications / Approvals



SEFA 8 Metal Casework

EAGLE GROUP

100 Industrial Boulevard
Clayton, DE 19938-8903 USA

Phone: 302-653-3000 • 800-441-8440

Fax: 302-653-2065

www.eaglegrp.com • www.eaglemhc.com

For custom configuration or fabrication needs, contact our SpecFAB® Division.

Phone: 302-653-3000 • Fax: 302-653-2065 • e-mail: quotes@eaglegrp.com

EG06.02 Rev. 11/20

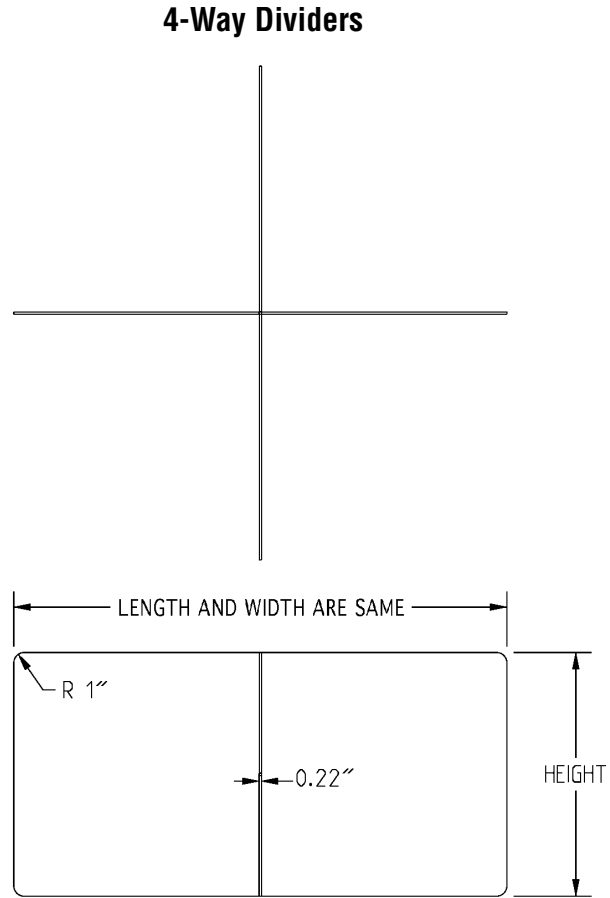
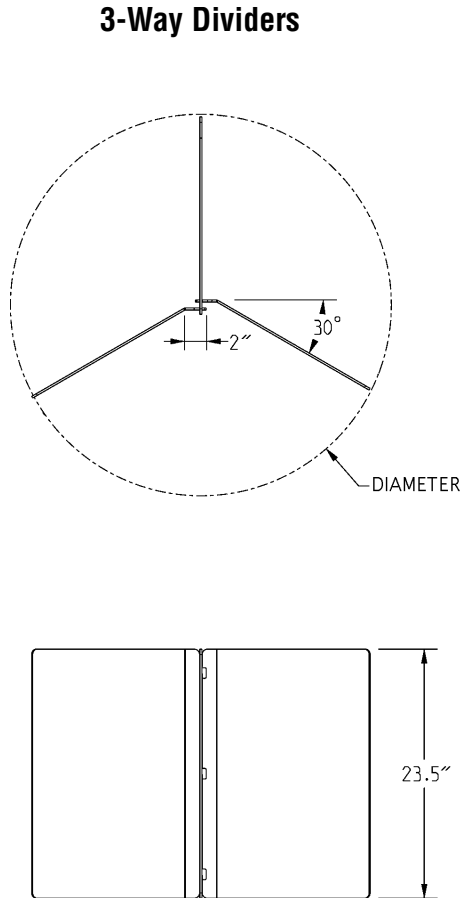
Spec sheets available for viewing, printing or downloading from our online literature library at www.eaglegrp.com

Eagle Foodservice Equipment, Eagle MHC, and SpecFAB® are divisions of Eagle Group. ©2020 by the Eagle Group



Item No.: _____
 Project No.: _____
 S.I.S. No.: _____

3-Way and 4-Way Dividers for Square or Round Tables



3-Way – For Square or Round Tables

height		diameter		model #
in	mm	in	mm	
24"	610	36"	914	BGTD-3Y36
24"	610	42"	1067	BGTD-3Y42
24"	610	48"	1219	BGTD-3Y48

4-Way – For Square or Round Tables

height		length		width		model #
in	mm	in	mm	in	mm	
24"	610	48"	1219	48"	1219	BGTD-2448
24"	610	60"	1524	60"	1524	BGTD-2460
30"	914	48"	1219	48"	1219	BGTD-3048
30"	914	60"	1524	60"	1524	BGTD-3060

EAGLE GROUP
 100 Industrial Boulevard, Clayton, DE 19938-8903 USA
 Phone: 302-653-3000 or 800-441-8440 • Fax: 302-653-2065
 www.eaglegrp.com • www.eaglemh.com

Printed in U.S.A.
 ©2020 by Eagle Group
 Rev. 11/20

Spec sheets available for viewing, printing or downloading from our online literature library at www.eaglegrp.com

Although every attempt has been made to ensure the accuracy of the information provided, we cannot be held responsible for typographical or printing errors. Information and specifications are subject to change without notice. Please confirm at time of order.