

# SaniServ®



MADE IN USA

## MODEL 798



**96**  
SMOOTHIES/HR

## TWO DIFFERENT FLAVORS IN ONE MACHINE

The SaniServ® model 798 Countertop Frozen Beverage Freezer can provide two frozen beverage favorites in one machine! With an independent drive system in each side of the machine, product can be easily maintained and or changed in either side when desired! The 798's mix pan is also refrigerated to ensure quicker recovery time. By offering not one, but two frozen products, owners and operators will insure every customer stays satisfied and increase their operating profits!

# MODEL 798



Job: \_\_\_\_\_

Item No. \_\_\_\_\_



## DESIGNED FOR MEDIUM VOLUME APPLICATIONS

6 Gallons per Hour per side - 14 Quart Capacity per side

### Use SaniServ® Model 798 to Create



**Dimensions:** Width (20") Depth (28")  
Height (33.5") Weight (234 lbs)

**Electrical Requirements:**  
115/60/1 = 15 Amps



### About the 798



### Cooling Options



### Serving Estimate:

Up to 96 Smoothies (48/side) / hr

We reserve the right to change specifications and product designs without notice. Such revisions do not entitle the buyer to corresponding changes, improvements, additions, or replacements for previously purchased equipment.



## ✓ SPACE SAVING - *Small Footprint Design*

SaniServ® model 798 provides two frozen beverage flavors in a counter-top model design. Operators will enjoy the ease of operation and the versatility to offer two different types of frozen beverages that customers desire at the same time!

## ✓ EASY CLEANING AND OPERATION - *Fewer Parts = Simplified Cleaning*

SaniServ® equipment is designed and built with the fewest parts to be disassembled, cleaned and sanitized than any other machine in the industry. The state of the art solid-state AccuFreeze® control insures product consistency, worry-free operation and customer satisfaction.

## ✓ HIGH RETURN ON INVESTMENT - *Increased Profits*

SaniServ® machines combine efficiency with consistent product quality and fast, quiet operation while insuring customer satisfaction with high profit frozen beverages.

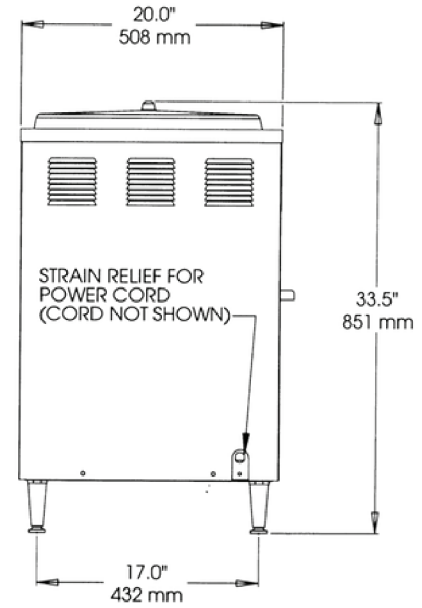
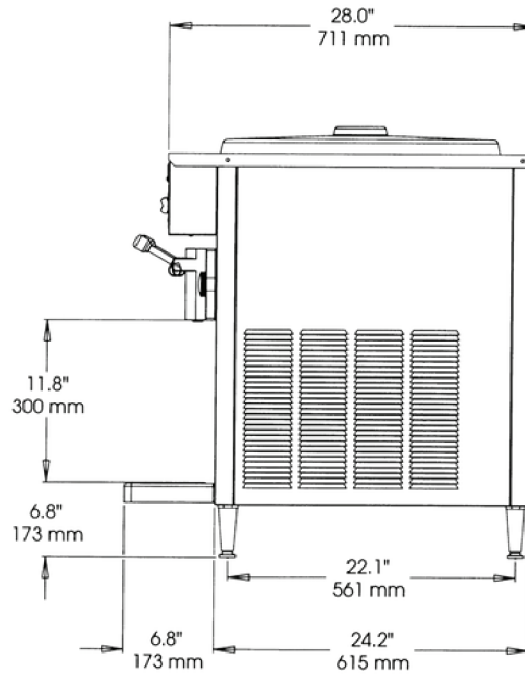
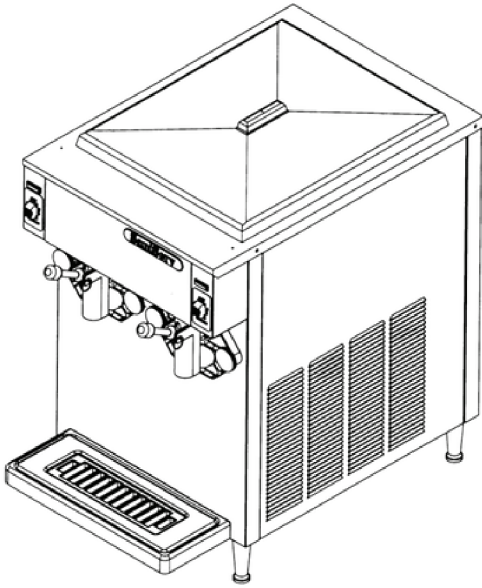
## ✓ QUALITY DESIGN - *Durability*

SaniServ® machines are built to achieve long and dependable life through simplicity of design. Every machine is shipped standard with a stainless steel exterior, durable steel interior frame construction, heavy-duty components and consistency systems.

# MODEL 798

AccuFreeze<sup>®</sup>  
CONTROL

Minimum Wall Clearance  
Both Sides and Back  
6 inches (152 mm)



ELECTRICAL				WIDTH	HEIGHT	DEPTH	WEIGHT	VOLUME
VOLTS	Hz	Ph.	Amps	INCHES (MM)	INCHES (MM)	INCHES (MM)	LBS. (Kg)	CU FT. (cu. m.)
115	60	1	15	20 (508)	33.5 (851)	28 (711)	234 (106)	
Shipping Specifications				31.5 (800)	40.5 (1029)	40.5 (1029)	335 (152)	29.9 (.84)

## SPECIFICATIONS

### Cooling System:

Air Only

### Dasher and Compressor

#### Motors:

(2) 1/4 HP Dasher  
(1) 3/4 HP Compressor

### Refrigerator Type:

R404A

### Listings:

UL, cUL, NSF

## FEATURES

### Evaporator and Mix Reservoir

#### Capacity:

14 Quarts (13.2 liters)

#### Dasher:

Heavy-Duty Stainless Steel with low friction scraper blades.

#### Controls:

AccuFreeze<sup>®</sup> solid-state control for accurate product consistency.

### Solid State Audio/Visual Mix Out System with Compressor Lockout

## WARRANTY

Parts	1 year
Compressor	5 years
Evaporator	5 years

#### Options:

Drink Spinner  
Tune Up Kit  
Syrup Rail  
Auto-fill  
Export Voltages  
Machine Stand  
Water Cooled - 3/4" Garden Hose Fitting  
Remote Condenser\*

\*Requires a remote condensing unit (condenser & compressor) connected by two refrigeration lines.