

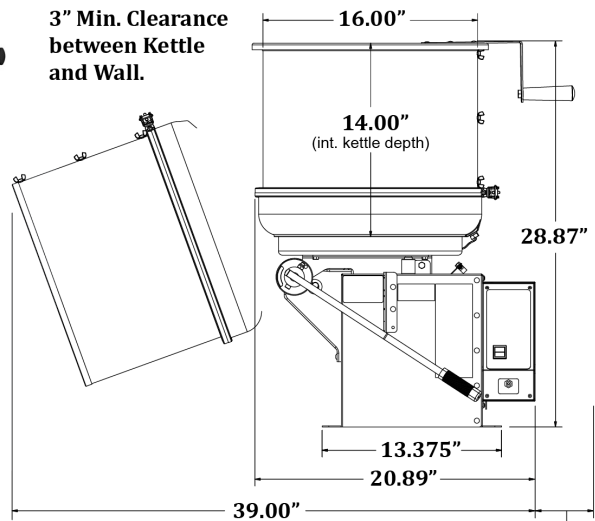


GOLD MEDAL® PRODUCTS CO.

Corn Treat Cooker/Mixer

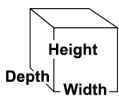
Model No. 2175-00-200 and 2175-00-210

Specifications



6" Recommended Min. Clearance between wall and Cntl Box for Service.

General RH Unit shown above for dim. reference.



Overall Dimensions:

Width: 20.89" (53 cm)
Depth: 17.6" (44.7 cm)
Height: 28.87" (73.4 cm)

Reference drawing shown for additional dimensions and clearances required.

Electrical - Domestic

120/208 OR 120/240V
3408 WATTS 60 Hz
(NEMA L14-20P) Plug

Unit designed to operate on single phase, 20 AMP, 4 wire supply (2 Hot, 1 Neutral, 1 Ground). Wall receptacle is supplied with unit.

Features:

- **Model 2175 (200)** - Right Hand Dump
Model 2175 (210) - Left Hand Dump
- 5 gallon capacity (3-4 batches/hour)
- Membrane Keypad Control with 2-line digital display
- Cast Aluminum Kettle with Stainless Steel Drum

Plug Type:



Agency Approvals:



Optional Conversion Kits (kits sold separately):

Praline: 2181KIT (Drum/Paddle); 2181PAD (Paddle)
Fudge: 2183KIT (Drum/Paddle); 2183PAD (Paddle)
Reference Spec Sheet for Kits for further details.



Gold Medal Products Co.
10700 Medallion Drive, Cincinnati, OH 45241

Ph: (513) 769-7676, (800) 543-0862; Fax: (513) 769-8500
gmpopcorn.com info@gmpopcorn.com