

# Insulated Self-Contained Kettle

**Electric, 2/3 Jacketed  
Insulated for Safety™  
Deep Drawn Construction  
Tilting, Floor Mounted  
Made in USA**

# Model TWE

## Standard Features



**Model TWE-60  
(with optional 1 1/2 draw-off valve)**

- ◆ Kettle System
  - ◇ Seamless deep-drawn 304 kettle liner with a integrally formed radius lip
- ◆ 304L stainless kettle jacket
- ◆ Kettle protection system
  - ◇ Thermostat temperature control, 150°F - 260°F
  - ◇ Pressure relief valve
  - ◇ Air eliminator valve
  - ◇ Pressure gauge
  - ◇ Jacket-water fill
  - ◇ Automatic low water cut off and indicator light
  - ◇ Field replaceable heating elements
  - ◇ Tilting cut-off switch
- ◆ Full body insulation between kettle jacket and outer casing
- ◆ 304 stainless outer casing seam welded to radius lip
- ◆ 304 stainless, seam welded control console
- ◆ 304 stainless, reinforced gear box
- ◆ Self-locking worm gear tilt mechanism
- ◆ 304 stainless, 2" tubular support frame
- ◆ Adjustable flanged feet

Legion equipment is built to comply with applicable standards for manufacturers. Approval agencies may include ASME, NSF, UL, ETL, AGA, CSA, CGA, and others. Legion reserves the right of design improvement or modification as warranted.

## Models and Capacities

TWE-20	20 gal.	(76 l.)
TWE-30	30 gal.	(114 l.)
TWE-40	40 gal.	(151 l.)
TWE-60	60 gal.	(227 l.)

Select draw-off valve:  2"  3"

With:  compression  ball type fitting  
See price list for other draw-off options.

Select Voltage:  208V  240V  380V  
 415V  440V  480V

Revision 113

## Optional Features and Accessories

See price list for supplemental information regarding options

### Faucet Options:

- Single or dual faucet with bracket & 12" or 18" swing nozzle
  - 48" flexible spray hose assembly (vinyl or stainless) for dual or single faucet
  - Faucet bracket
  - Automatic water filling meter
- (Call for information regarding additional faucet options)*

### Prison/Security Options:

- Fasteners (screws & nuts)
- Tamper resistant driver tools
- Lockable control cover

### Other Options:

- Electric timer with buzzer
- Pressure switch
- Mixer/agitator, 2 speed

### Accessories:

- Pour lip pan holder assembly
- Measuring strip
- Care kit

### Covers:

- Lift-off or 2 piece hinged
- 1 piece actuator-assisted, 20 - 60 gal.

### Baskets:

- Single basket, 20 - 40 gal.
- Tri-basket insert
- Nylon bag insert with spreader ring



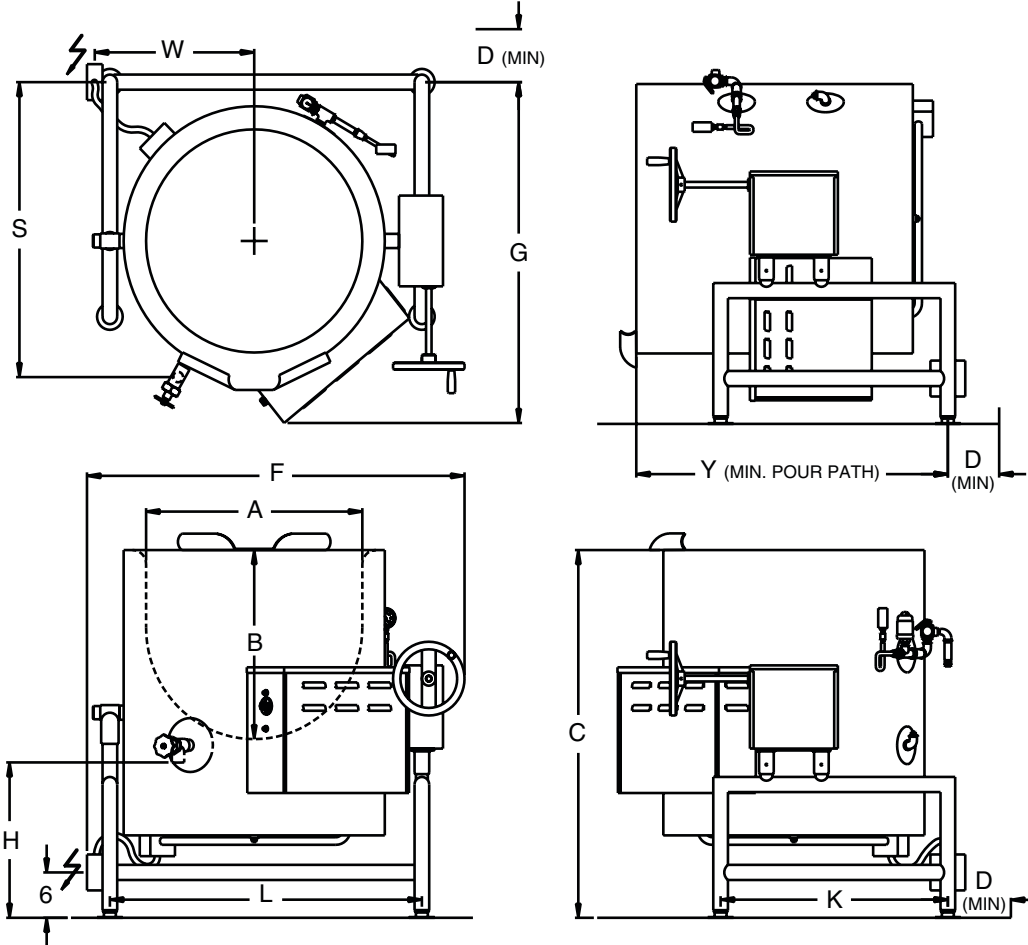
**LEGION** Legion Industries, Inc. P.O. Office Box 728 Waynesboro, GA 30830 (800) 887-1988  
(706) 554-4411 Fax: (706) 554-2035 www.legionindustries.com sales@legionindustries.com

# Model TWE

Electric, 2/3 Jacketed  
Insulated for Safety™  
Deep Drawn Construction  
Tilting, Floor Mounted  
Made in USA

# Insulated Self-Contained Kettle

DRAWING REPRESENTS 60 GALLON MODEL WITH OPTIONAL 1 1/2 DRAW-OFF



MODEL TWE DIMENSIONS

GAL	A	B	C	D	F	G	H*	K	L	S*	W	Y
20	22.0	16.0	41.6	7.0	43.1	42.0	22.2	31.0	35.0	36	18.0	35.5
30	23.0	20.3	43.5	7.0	44.1	42.5	19.8	31.0	36.0	36	18.5	37.4
40	25.5	22.3	47.5	7.0	46.6	43.5	21.7	31.0	38.5	37.3	19.9	41.4
60	29.5	48.6	48.6	7.0	51.6	45.3	19.9	31.0	42.6	39.3	21.9	42.5

\*Dimensions H & S apply only if an optional 2" draw-off is ordered. If a 3" draw-off is required, contact Legion for applicable dimensions.

MODEL TWE ELECTRICAL SPECIFICATIONS (AMPERES PER LEG)

GAL	KW	208 Volt		240 Volt		380 Volt		415 Volt		440 Volt		480 Volt	
		1ø	3ø	1ø	3ø	1ø	3ø	1ø	3ø	1ø	3ø	1ø	3ø
20	12	57.7	33.3	50.0	28.9	31.6	18.2	28.9	16.7	27.3	15.7	25.0	14.4
30	24	115.4	66.6	100.0	57.7	63.2	36.5	57.8	33.4	54.5	31.5	50.0	28.9
40	24	115.4	66.6	100.0	57.7	63.2	36.5	57.8	33.4	54.5	31.5	50.0	28.9
60	36	173.1	99.9	150.0	86.6	94.7	54.7	86.7	50.1	81.8	47.2	75.0	43.3

Revision 113



**LEGION** Legion Industries, Inc. P.O. Office Box 728 Waynesboro, GA 30830 (800) 887-1988  
(706) 554-4411 Fax: (706) 554-2035 www.legionindustries.com sales@legionindustries.com