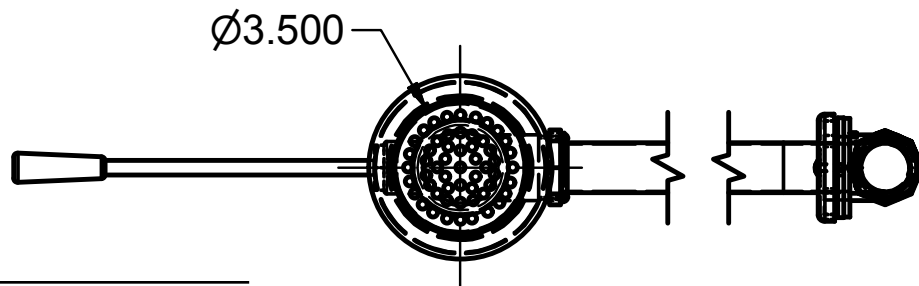
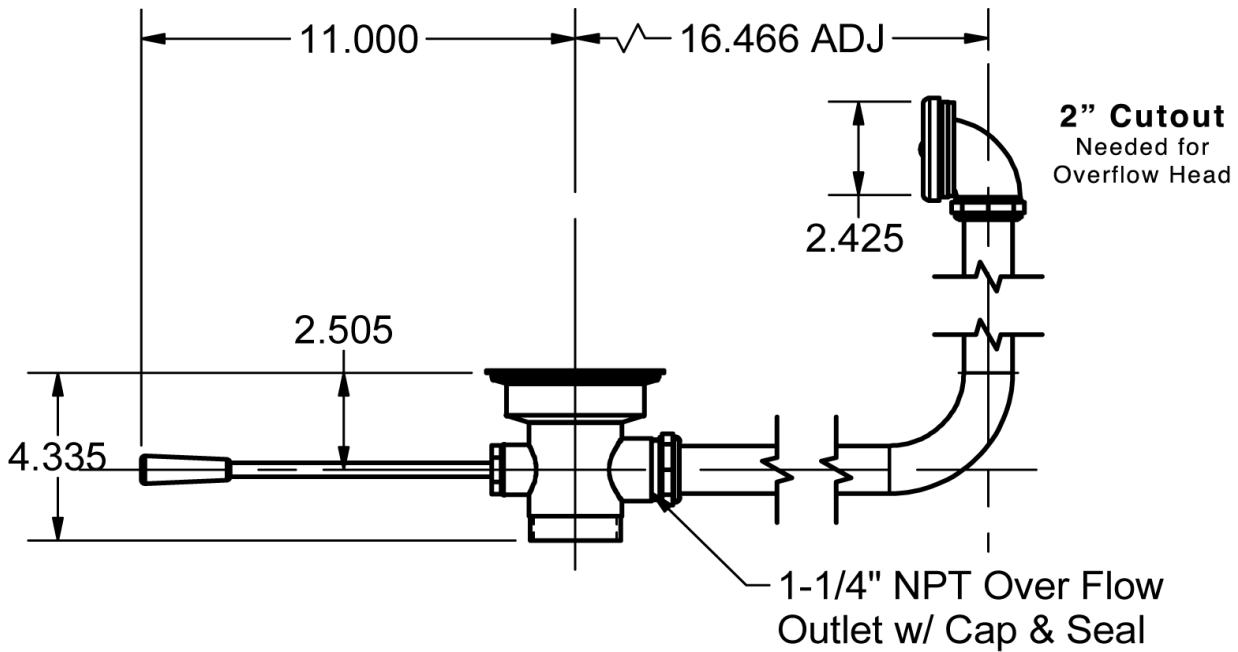
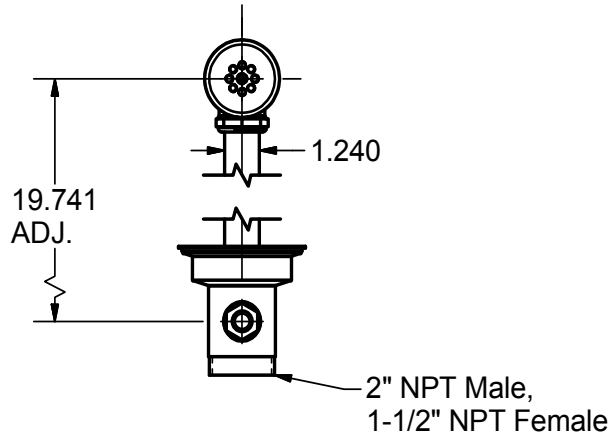




Use your smart phone to scan the above QR code to visit our website: www.bk-resources.com

Straight Lever Waist w/ Overflow

Model: BK-SLW-20



Product Specifications:

- Dual Functioning Outlet Features 2" Male & 1 1/2" Female Threading
- S/S Strainer
- Fits 3 1/2" Openings



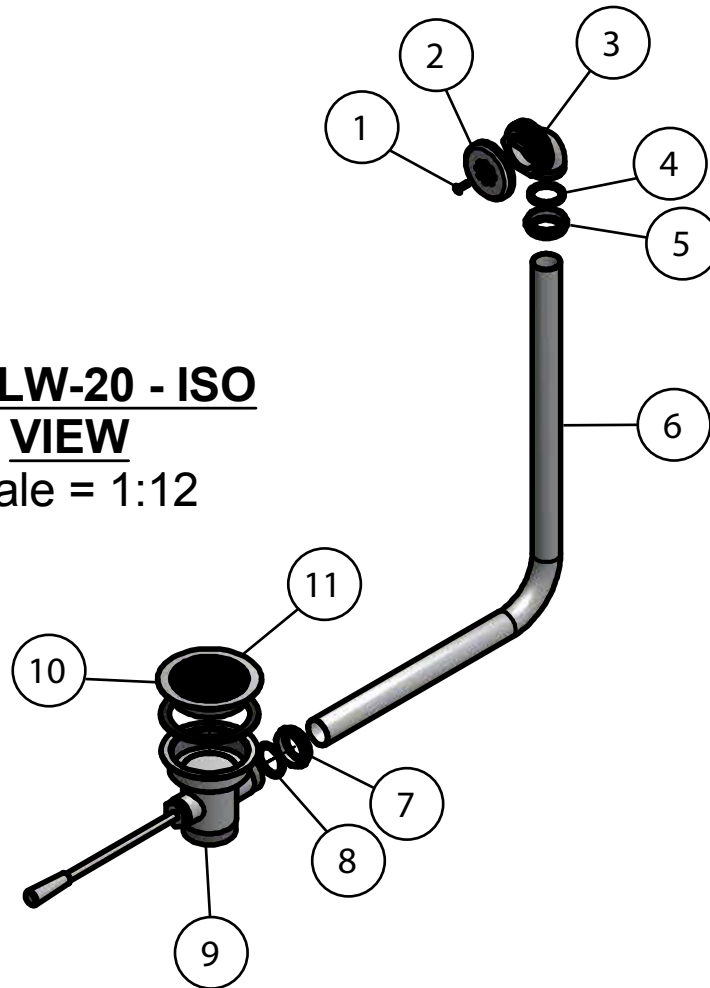


Straight Lever Waist

w/ Overflow

Model: BK-SLW-20

**BK-SLW-20 - ISO
VIEW**
Scale = 1:12



Exploded Parts Detail:

| Diagram # | Quantity | Part Number | Description |
|-----------|----------|-------------|------------------------------------|
| 1 | 1 | 005032-FPS | Face Plate Screw for Overflow Head |
| 2 | 1 | 005032-FP | Face Plate for Overflow Head |
| 3 | 1 | 005032 | Overflow Head |
| 4 | 1 | 005032-W | Overflow Head Washer |
| 5 | 1 | 005032-N | Overflow Head Nut |
| 6 | 1 | 005031 | Overflow Tube |
| 7 | 1 | 005031-N | Overflow Tube Nut |
| 8 | 1 | 005031-W | Overflow Tube Washer |
| 9 | 1 | BK-SLW-20 | Lever Drain Body With Overflow |
| 10 | 1 | 005001-FP | #.5" Lever Drain Face Plate |
| 11 | 1 | LDR-SS-35 | 3.5" Strainer |

