



ADA Compliant

This Space for Architect/Engineer Approval

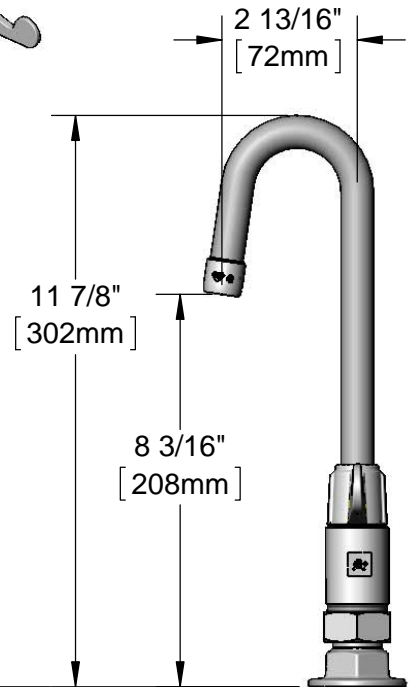
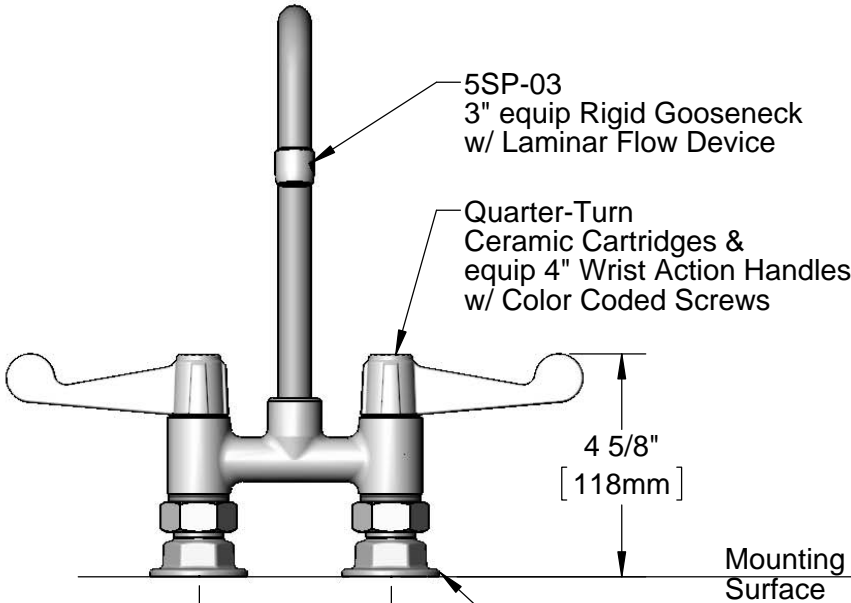
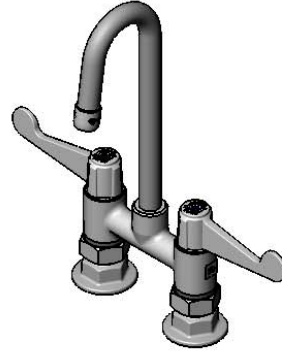
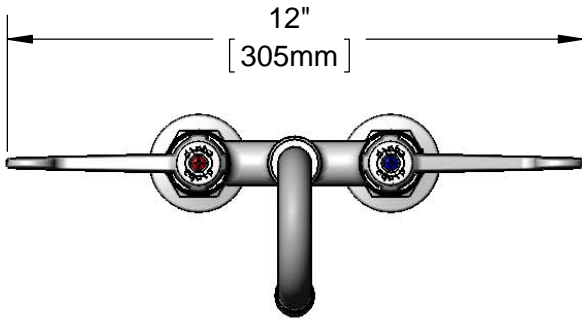
Job Name _____ Date _____

Model Specified _____ Quantity _____

Customer/Wholesaler _____

Contractor _____

Architect/Engineer _____



Adjustable from
3 3/4" to 4 1/4"
[95mm to 108mm]

Ø 2" [51mm]
Flanges w/
1/2" NPT
Female Inlets

Mounting
Surface



B-0425-M
Supply Nipple Kit
(Included)

Rough-In Requirement:
(2) Ø 1" [25mm] Mounting Holes

Model Number

5F-4DWS03

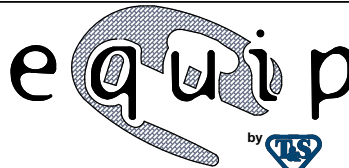
Product Specifications:

**4" Deck Mount Faucet w/ Quarter-Turn Ceramic Cartridges,
equip 4" Wrist Action Handles, 3" equip Rigid Gooseneck &
1/2" NPT Supply Nipple Kit**

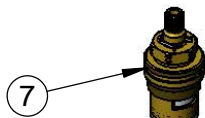
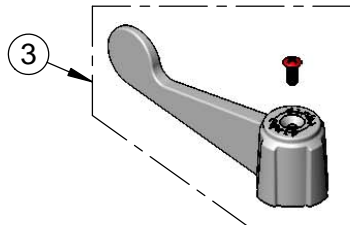
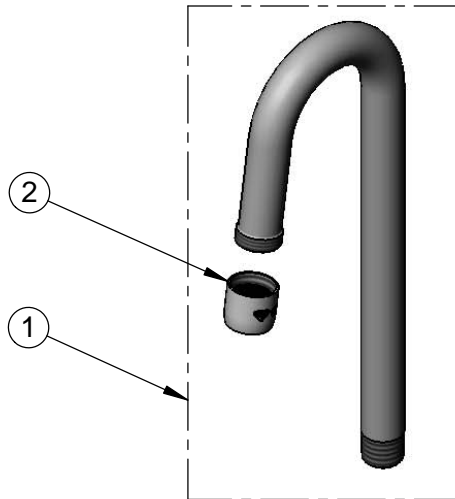
Product Compliance:

ASME A112.18.1 / CSA B125.1
NSF 61 - Section 9
NSF 372 (Low Lead Content)
ANSI A117.1 (ADA)

equip
Foodservice
Accessories



2 Saddleback Cove, P.O. Box 1088
Travelers Rest, South Carolina 29690
Phone: 800.891.4808 Fax: 800.868.0084
equip.tsbrass.com



ITEM NO.	SALES NO.	DESCRIPTION
1	5SP-03	3" equip Rigid Gooseneck
2	014250-45	Laminar Flow Device
3	5-HDL-W	equip 4" Wrist Action Handle w/ Color Coded Screws
4	013788-45	Ceramic Cartridge, LTC
6	00AA	1/2" NPT Female Eccentric Flange
6	013787-45	Ceramic Cartridge, RTC
7	B-0425-M	1/2" NPT Supply Nipple Kit (2)
23		CSA Destructible Label
24		
25		FLG FCT 1/2 XNTRC
26		Insert, Faucet Flange
27	000721-25	Flange Coupling Nut
28	001019-45	Coupling Nut Washer
29		O-Ring
30		Housing, equip Cartridge, RTC
31		O-Ring
32		Stem
33		Stem Washer
34		O-ring, Stem
35		Retaining Clip
36		Upper Ceramic Seat
37		Diffuser, Ceramic Cartridge
38		Ceramic Seat Lower
39		Seal, Seat - Silicone
40		Lower Seal - Red Silicone
41		Disc Base
42		Housing, equip Cartridge, LTC
43		O-ring, Stem
44		Lower Seal - Blue Silicone
45	5-HDL-W	equip 4" Wrist Action Handle w/ Color Coded Screws
46		M4x10mm SCREW, COLD (BLUE)
47		M4x10mm SCREW, HOT (RED)



Model Number

5F-4DWS03

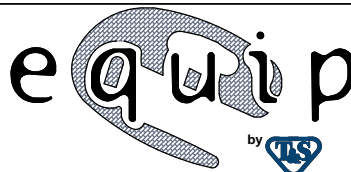
Product Specifications:

4" Deck Mount Faucet w/ Quarter-Turn Ceramic Cartridges, equip 4" Wrist Action Handles, 3" equip Rigid Gooseneck & 1/2" NPT Supply Nipple Kit

Product Compliance:

ASME A112.18.1 / CSA B125.1
NSF 61 - Section 9
NSF 372 (Low Lead Content)
ANSI A117.1 (ADA)

equip
Foodservice
Accessories



2 Saddleback Cove, P.O. Box 1088
Travelers Rest, South Carolina 29690
Phone: 800.891.4808 Fax: 800.868.0084
equip.tsbrass.com