



MB

Dual Temperature Mini Bunker Cooler and Freezer

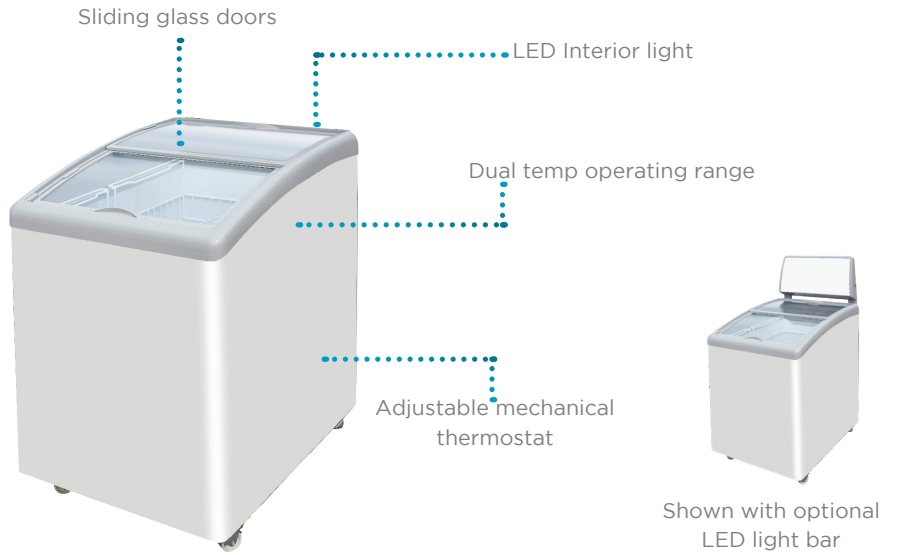
KEY ASPECTS

SPECIAL FEATURES:

- Painted steel interior
- Cold wall evaporator
- Baskets include 2 dividers each
- Casters standard, front locking
- Environmentally friendly hydrocarbon refrigerant

OPTIONS:

- LED light bar
- Lock & key
- Graphics



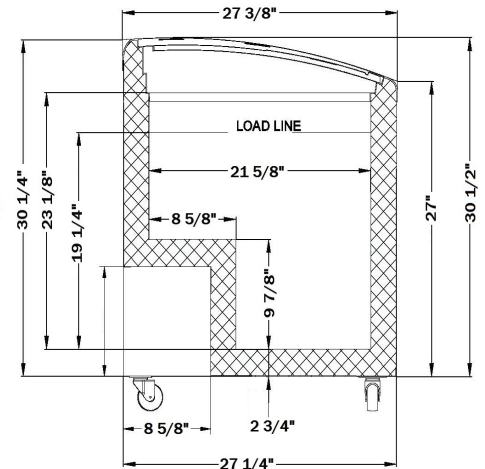
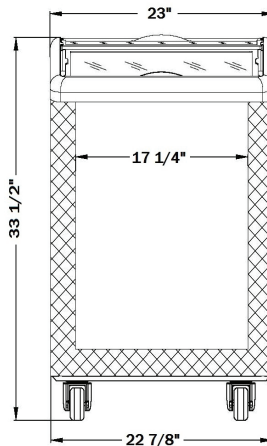
Complies with 2017 DOE standards for commercial cooler and freezer

TECHNICAL SUMMARY

MODEL	SIZE				ELECTRICAL	REFRIGERATION			OTHER		
	Dimensions (inches)* Width x Depth x Height	Cubic Feet	Net Weight (lbs.)	Shipping Weight (lbs.)**	Voltage/Hz/Phase	Running Amps	Compressor HP	Refrigerant	Temperature	Number of baskets	Container Quantity
MB-2HCD	23 x 27 3/8 x 33 1/2	4.8	97	105	115/60/1	1.0	1/9	R-600a	-5°F to +40°F	2	168

*Dimensions are all nominal lengths

**Does not include weight of pallet when needed



Optional light bar adds 11 3/8"



4094 Paul Buchman Highway
Plant City, FL 33565
800.441.4014 | 813.870.0340
www.excellenceindustries.com
ver. 09.22