

"PBHS-F" PRO-BOWL HAND SINKS

Pedestal Stand, Hands Free w/Foot Valves

FEATURES:

- 18GA Type 300 Stainless Steel
- One Piece Deep Drawn Bowl
- All Sink Bowls Have Large Liberal Radii Corners
- Includes Basket Drain
- Includes Foot Switch And Goose Neck Faucet (PBF-FV2-SM-35GLF)

SPECIFICATIONS:

- Bowl: Stainless Steel Tops Are TIG Welded, Exposed Welds Are Polished To Match Adjacent Surface
- Bowl: Type 300 Stainless Steel Polish, Satin Finish
- Bracket: Type 300 Stainless Steel Polish, Satin Finish
- Drain: 2" Drain Opening, With 1-1/2" NPS Outlet Connection

CERTIFICATIONS:



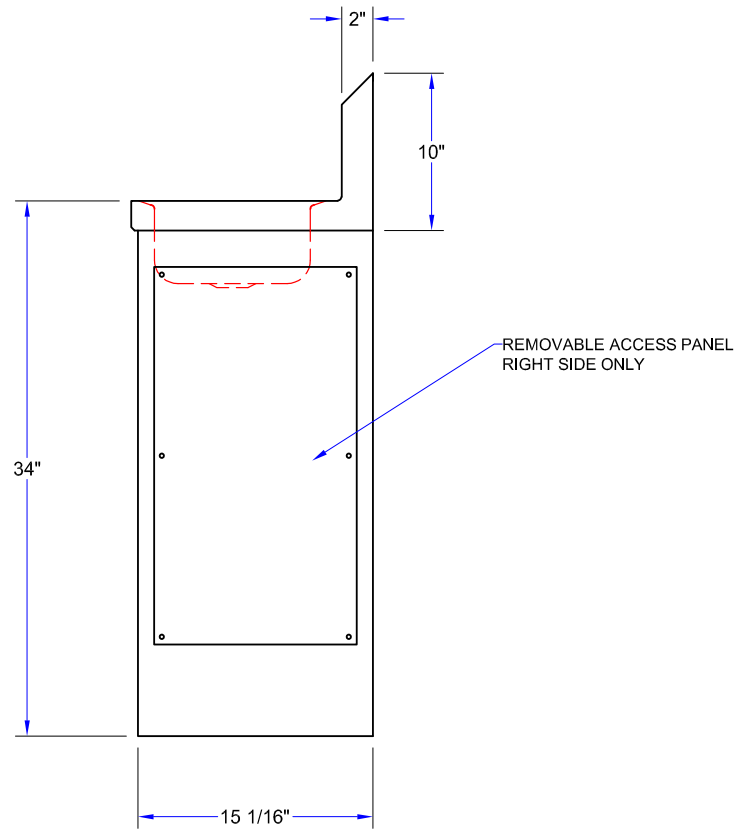
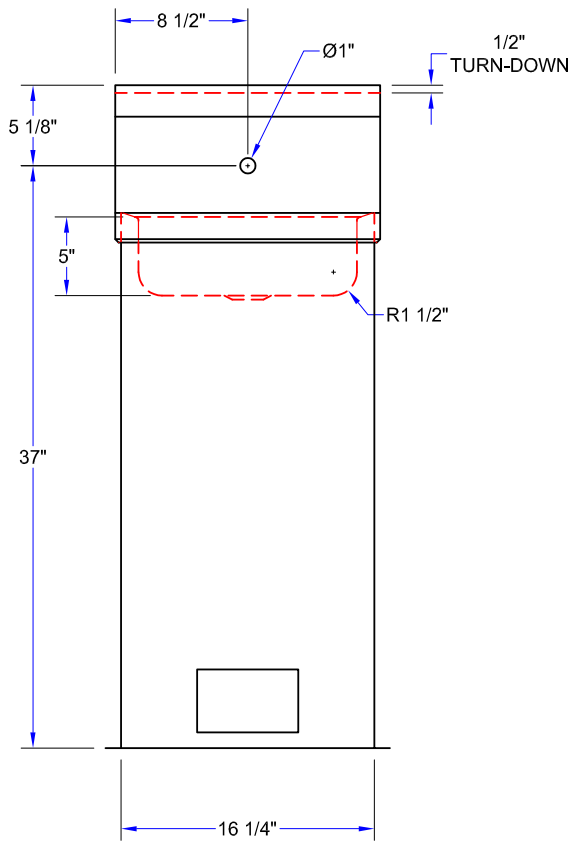
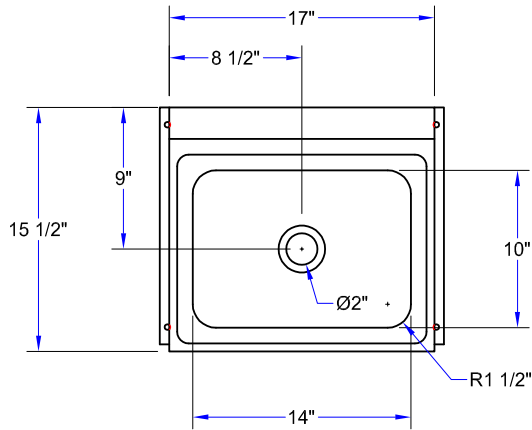
PBHS-F-1410

"PBHS-F" PRO-BOWL HAND SINKS

MODEL	BOWL SIZE (L X W X H)	OVERALL SINK SIZE (L X W X H)	WEIGHT (LBS)
PBHS-F-1410	14"x10"5"	17"x15-1/2"x42-1/8"	25

ALL DIMENSIONS ARE TYPICAL. TOLERANCE +/- .500". JOHN BOOS & CO. RESERVES THE RIGHT TO CHANGE SPECIFICATIONS WITHOUT NOTICE.

DETAILED SPECIFICATIONS



"PBHS-F" PRO-BOWL HAND SINKS

MODEL	BOWL SIZE (L X W X H)	OVERALL SINK SIZE (L X W X H)	WEIGHT (LBS)
PBHS-F-1410	14"x10"x5"	17"x15-1/2"x42-1/8"	25

ALL DIMENSIONS ARE TYPICAL. TOLERANCE +/- .500". JOHN BOOS & CO. RESERVES THE RIGHT TO CHANGE SPECIFICATIONS WITHOUT NOTICE.