



# Sleek Shields™

## SELF SERVICE FOOD SHIELDS

### WITH STAINLESS STEEL SHELVES OR GLASS TOP

Protected by: Patent No. US 9,010,883 B2

#### Self Service Food Shield with Stainless Steel Shelf



Maximum Front Glass Opening is 13" From Table to Bottom of Glass (shown with 1" Anodized Aluminum Posts)

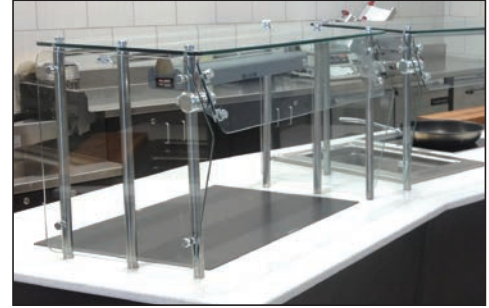


Advance Tabco's Revolutionary "Chamber Lock" System makes rotating food shields easier than ever



Meets Latest NSF Standards

#### Self Service Food Shield with Glass Top



Maximum Front Glass Opening is 13" From Table to Bottom of Glass  
Max. load for Top Glass is 100 lbs. even dist. wt. (shown with 1" Anodized Aluminum Posts)

#### Single Tier with Stainless Steel Shelf

Length	12" WIDE	15" WIDE	18" WIDE	Approx. Wt.	Approx. Cu. Ft.
36"	NSG-12-36	NSG-15-36	NSG-18-36	43 lbs.	14
48"	NSG-12-48	NSG-15-48	NSG-18-48	49 lbs.	18
60"*	NSG-12-60	NSG-15-60	NSG-18-60	56 lbs.	22
72"*	NSG-12-72	NSG-15-72	NSG-18-72	64 lbs.	26
84" †	NSG-12-84	NSG-15-84	NSG-18-84	72 lbs.	30
96" †	NSG-12-96	NSG-15-96	NSG-18-96	80 lbs.	34
108"* †	NSG-12-108	NSG-15-108	NSG-18-108	90 lbs.	38
120"* †	NSG-12-120	NSG-15-120	NSG-18-120	103 lbs.	42
132" †	NSG-12-132	NSG-15-132	NSG-18-132	116 lbs.	46
144" ††	NSG-12-144	NSG-15-144	NSG-18-144	132 lbs.	50

\*3/8" Thick Heat-Tempered Glass Required For Front

† Requires a single center post

†† Requires two center posts

#### FEATURES:

- Front glass locks in place at 15° intervals.
- Attractive, low profile design & Easy to clean.
- 1" stainless steel posts (please specify).
- Chamber lock™ is mounted to post in a fixed position.
- Includes Two 15-3/8" High Side Panels.
- 1/4" Heat-Tempered Glass Front & Sides.

#### Includes:

- Stainless Steel Shelving Available In 12", 15" or 18" Widths.
- Shelves have two rolled edges on front & rear and square edges on left & right sides.
- Glass Unit features 3/8" Heat-Tempered Glass Top.

#### Single Tier with Glass Top

Length	12" WIDE	15" WIDE	18" WIDE	Approx. Wt.	Approx. Cu. Ft.
36"	GSG-12-36	GSG-15-36	GSG-18-36	52 lbs.	3
48"	GSG-12-48	GSG-15-48	GSG-18-48	64 lbs.	4
60"*	GSG-12-60	GSG-15-60	GSG-18-60	72 lbs.	6
72" †	GSG-12-72	GSG-15-72	GSG-18-72	84 lbs.	7
84" †	GSG-12-84	GSG-15-84	GSG-18-84	96 lbs.	8
96" †	GSG-12-96	GSG-15-96	GSG-18-96	110 lbs.	9
108"* †	GSG-12-108	GSG-15-108	GSG-18-108	122 lbs.	10
120"* †	GSG-12-120	GSG-15-120	GSG-18-120	135 lbs.	11
132" †	GSG-12-132	GSG-15-132	GSG-18-132	150 lbs.	12
144" ††	GSG-12-144	GSG-15-144	GSG-18-144	165 lbs.	13

Consult Factory for Heat Lamp Modification when mounting to Glass Top Food Shields

#### CONSTRUCTION:

- All TIG welded
- Exposed stainless steel surfaces polished to a satin finish

#### MATERIAL:

- 1/4" Thick Heat-Tempered Side Glass
- 3/8" Thick Heat-Tempered Top Glass (GSG Model)
- Shelf - 18 Ga., Type 430 Stainless Steel
- 1" Post - Stainless Steel.
- Chamber Lock™ - Anodized Aluminum.
- Finish - Aluminum components manufactured with a standard Satin Clear Finish. Other colors available for Aluminum Components Only. Please consult factory for additional colors.



Customer Service Available To Assist You 1-800-645-3166 8:30 am - 8:00 pm E.S.T.

For Orders & Customer Service:

Email: customer@advancetabco.com or Fax: 631-242-6900

For Smart Fabrication™ Quotes:

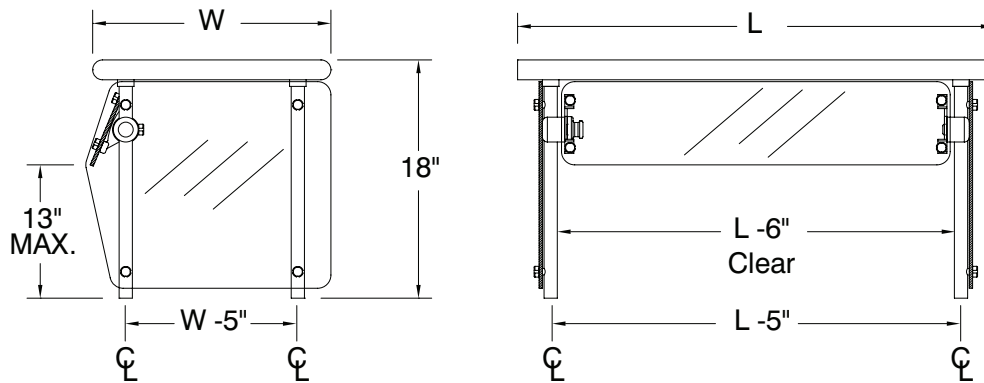
Email: smartfab@advancetabco.com or Fax: 631-586-2933

# DETAILS and SPECIFICATIONS

TOL ± .500"

ALL DIMENSIONS ARE TYPICAL

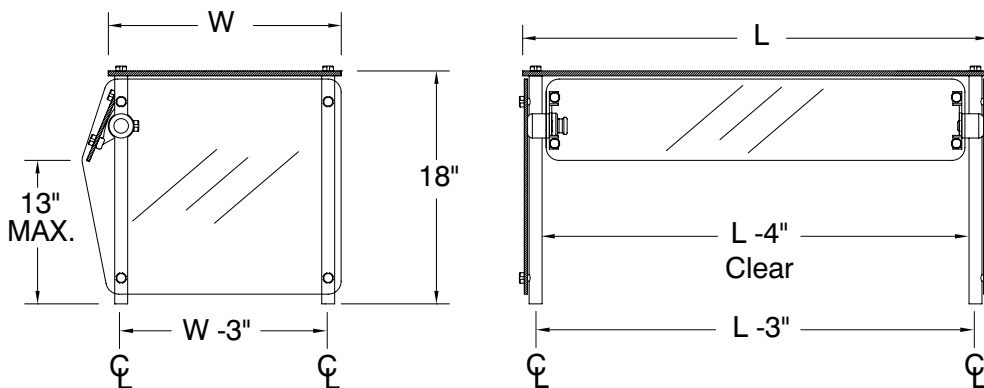
## NSG SERIES SINGLE TIER with Stainless Steel Shelf



Maximum Front Glass Opening is 13" From Table to Bottom of Glass  
NSF Requires Side Glass to be 18" Wide Minimum.

**NOTE:** Glass panels that exceed 66" will require a center support/posts.

## GSG SERIES SINGLE TIER with Glass Top



Maximum Front Glass Opening is 13" From Table to Bottom of Glass  
NSF Requires Side Glass to be 18" Wide Minimum. Max. load for Top Glass is 100 lbs. even distributed weight

**NOTE:** Glass panels that exceed 66" will require a center support/posts.

### Optional Accessories

(Compatible With All Advance Tabco Food Shields)



SG-1



SG-C



SG-S

**SG-1** Surface Mounting Brackets for use when access below countertop is not available. Fits 1" Posts. 2" Dia.

**SG-3** Modify Food Shield mounting for countertops exceeding 3/4" thick.

**SG-C** Upgrade Food Shield Leg to be cantilevered over installed equipment (Per Leg). Cannot replace End Posts/Brackets. Consult factory for special applications.

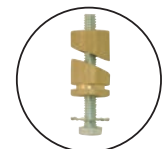
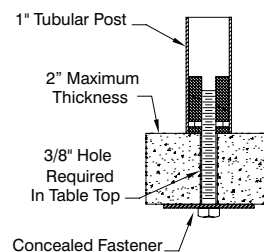
**SG-S** Sleek Shield™ horizontal swivel bracket. Used to connect food shields positioned at variable angles.

**SG-AN** Custom Color Anodizing for Sleek Shields™ for Aluminum Components.

**SG-PC** Powder Coating for Sleek Shields™ For Stainless Steel Components.

### Standard Concealed Mounting Hardware

Requires access below counter for installation.



**Brass Expander Included**

Brass Expander Table Mounting Hardware Included.  
For traditional undermount installation (1" tubing only)

