

Fusion

GMDSV 52"H Refrigerated Service Case Remote

Structural Concepts®

DELIVERING FRESH. ALWAYS.™

- GMDSV4R 51"L x 43"D x 51-5/8"H
- GMDSV5R 62-7/8"L x 43"D x 51-5/8"H
- GMDSV6R 75-3/8"L x 43"D x 51-5/8"H
- GMDSV8R 99-3/4"L x 43"D x 51-5/8"H
- GMDSV10R 123-3/8"L x 43"D x 51-5/8"H
- GMDSV12R 148-1/2"L x 43"D x 51-5/8"H

Included

- Remote DX refrigeration
- LED top & shelf lights
- One year parts & labor warranty
- One year parts & labor; 5 year compressor warranty
- Stainless steel rear exterior
- Vertical, UV bonded lift-up front glass w/o lock
- Warmest average product temperature of 40°F or less



GMDSV4R

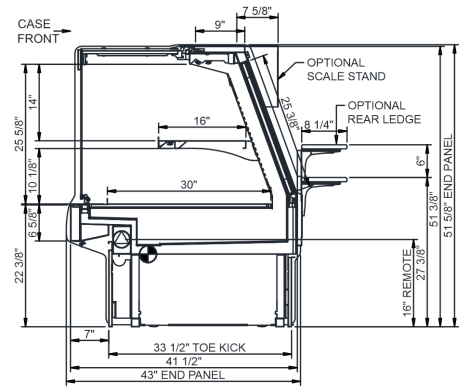
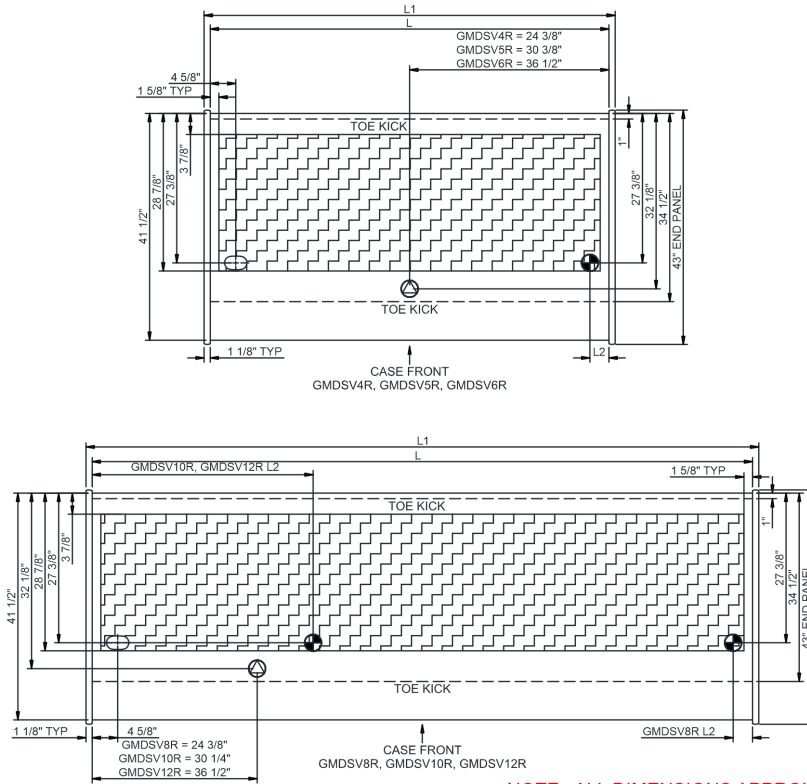
Specify	Standard Features	Additional Options
EXTERIOR COLOR	• Laminate (stock colors)	• Laminate (non-stock colors) • Powder coated (stock/non-stock colors) • Powder coated Silversan Black • Stainless steel
INTERIOR COLOR	• Powder coated Silversan Black	• Stainless steel
LOWER FRONT PANEL COLOR	• Powder coated Silversan Black	• Powder coated (stock/non-stock colors) • Stainless steel
BASE SUPPORT	• Rail system for shims (remote)	
BUMPER FRONT	• 1" Boston bumper (specify color)	• 1" Stainless steel plate rail bumper
END PANELS	• Full w/stainless steel mirror interior	• Cutaway w/glass • None (specify per line-up)
SCALE STAND	• None	• Scale stand w/ receptacle & CAT5 (specify location) • Scale stand w/ receptacle (specify location)
PRICE TAG MOLDING	• None	• 1" Price tag molding (black or silver) • Universal price tag molding (clear w/ open top)
REAR DOORS	• Clear glass rear sliding doors	• Reflective glass rear sliding doors
SHELVING	• 16" Solid shelf	• 14" & 16" Solid shelving • 14" & 20" Solid shelving
LIGHTS	• LED 3500K w/ frosted lens	• LED 4000K w/ frosted lens • LED nose light
ELECTRICAL CONNECTION	• Electrical leads (remote)	
REFRIGERATION	• Remote DX refrigeration	• Remote w/thermostat, solenoid & TXV
SENSOR	• None	• CPC discharge air sensor (remote)
MISCELLANEOUS		• Front glass lock • Rear door lock
ACCESSORIES		• Angled display steps (n/a w/shelf) • Drain strainer • Rear wrapping board, white Sanalite®

Option Notes: 1 - Separate circuit required

Intended Environment: Type I - Designed to operate in ambient conditions of 75°F with 55% relative humidity unless noted otherwise in system information below.		
Zone	Intended Product To Be Displayed	Warmest Avg Prod Temp ° F
1	Unpackaged refrigerated products	38-40

PLAN VIEW

SIDE VIEW



NOTE: ALL DIMENSIONS APPROXIMATE

- ELECTRICAL JUNCTION BOX**
(SUPPLIED WITH 6" LEADS OR POWER CORD).
- REFRIGERATION LINE CONNECTION.**
- SELF-CONTAINED CASE SERVICE ACCESS AREA.**
- LOCATION OF DRAIN TUBE FOR REMOTE REF. ONLY**
(SUPPLIED WITH 3/4" OR 1 1/2" PVC TUBE).
- REMOTE FLOOR SINK & UTILITIES ACCESS AREA.**
- DRY CASE SERVICE ACCESS AREA.**

Model Technical Specifications

Model	L"	L1"	L2"	System Circuit Volts		Phs	Freq	Amps ***	Watts	Wires	NEMA Plug	SST	Conv. Rack BTUH	Para. Rack BTUH	Est Wt	
GMDSV4R	48.75	51.00	3.50	Remote (DX)	Circuit #1	110-120	1	60	1.70	71	2+G	Leads Multiple	20.00	1296	1200	950
				Remote (GLYCOL 35%)	Circuit #1	110-120	1	60	1.70	71	2+G	Leads Multiple	30.00	1296	1200	
				Remote (R744 TRANSCRIT)	Circuit #1	110-120	1	60	1.70	71	2+G	Leads Multiple		1296	1200	
GMDSV5R	60.63	62.88	3.50	Remote (DX)	Circuit #1	110-120	1	60	2.63	90	2+G	Leads Multiple	20.00	1706	1580	1,150
				Remote (R744 TRANSCRIT)	Circuit #1	110-120	1	60	2.29	99	2+G	Leads Multiple		2030	1880	
GMDSV6R	73.13	75.38	3.50	Remote (DX)	Circuit #1	110-120	1	60	2.29	99	2+G	Leads Multiple	20.00	2030	1880	1,250
				Remote (GLYCOL 35%)	Circuit #1	110-120	1	60	3.96	424	2+G	Leads Multiple	20.00	2722	2520	
				Remote (R744 TRANSCRIT)	Circuit #1	110-120	1	60	3.76	149	2+G	Leads Multiple		2722	2520	
GMDSV8R	97.50	99.75	3.50	Remote (DX)	Circuit #1	110-120	1	60	3.08	173	2+G	Leads Multiple	20.00	2722	2520	1,575
				Remote (GLYCOL 35%)	Circuit #1	110-120	1	60	6.05	576	2+G	Leads Multiple	20.00	2916	2700	
				Remote (R744 TRANSCRIT)	Circuit #1	110-120	1	60	6.05	576	2+G	Leads Multiple		2916	2700	
GMDSV10R	121.13	123.38	40.50	Remote (DX)	Circuit #1	110-120	1	60	6.05	576	2+G	Leads Multiple	20.00	2916	2700	1,600
				Remote (GLYCOL 35%)	Circuit #1	110-120	1	60	6.05	576	2+G	Leads Multiple	20.00	2916	2700	
				Remote (R744 TRANSCRIT)	Circuit #1	110-120	1	60	6.05	576	2+G	Leads Multiple		2916	2700	
GMDSV12R	146.25	148.50	45.25	Remote (DX)	Circuit #1	110-120	1	60	4.62	540	2+G	Leads Multiple	20.00	3672	3400	1,750
				Remote (GLYCOL 35%)	Circuit #1	110-120	1	60	4.62	540	2+G	Leads Multiple	20.00	3672	3400	
				Remote (R744 TRANSCRIT)	Circuit #1	110-120	1	60	4.62	540	2+G	Leads Multiple		3672	3400	

*** Does not include electric defrost on freezer models.

Regulatory Approvals:

All Models	Accordance with AHRI Std 1200 ETL Listed to UL 471 ETL Listed to CAN/CSA 22.2 No. 120 ETL Sanitation to NSF/ANSI 7
------------	---



Important Notes:

- 1) Units must be shimmed during installation to ensure the unit is level and plumb.
- 2) Compressor air rear intake, front discharge. Toe kick cannot be blocked.
- 3) Condensate pan with self-contained refrig. only.
- 4) Remote doesn't incl Conds unit. Floor drain reqd.
- 5) Remote only available w/rail base w/shims.

⚠ WARNING: This product can expose you to chemicals, including Urethane (Ethyl Carbamate), which are known to the State of California to cause cancer and birth defects or other reproductive harm. For more information go to www.P65Warnings.ca.gov.