

APPLICATION:

JOB NAME:

QUANTITY:                      ITEM NO.

PRODUCT NAME:

**4" C/C REMOTE CONTROL VALVE**

SPECIAL CONFIGURATION  
CHECK BASE MODEL AND OPTIONS

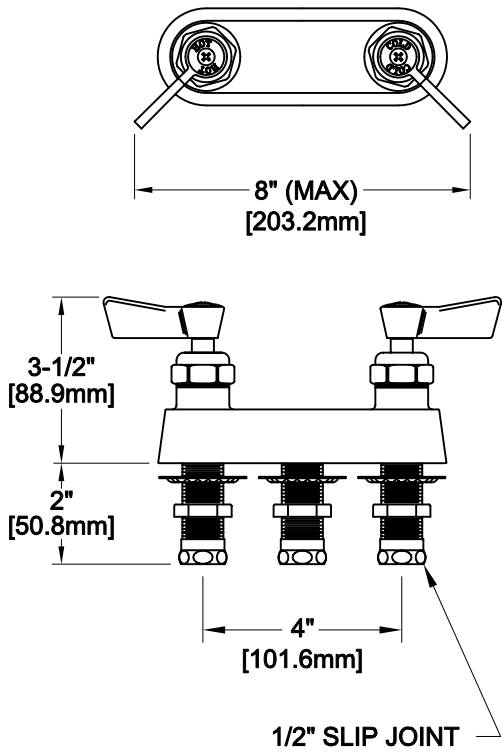
MODEL:

2805

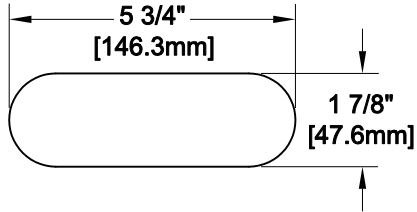
OPTIONS OR MODIFICATIONS:

OTHER \_\_\_\_\_

- FEATURES:
- \* 4" C/C REMOTE CONTROL
  - \* SWIVELING SEAT DISKS
  - \* HOT SIDE STEM - RIGHT HAND
  - \* COLD SIDE STEM - LEFT HAND
  - \* STAINLESS STEEL SEATS
  - \* STAINLESS STEEL SEAT SCREWS
  - \* STAINLESS STEEL HANDLE SCREWS
  - \* 1/2" SLIP JOINT
- SHIPPING WEIGHT
- \* 3.25 LBS



FOOTPRINT:



ROUGH-IN:

