



Model: _____ Item #: _____ Date: _____
 Project: _____ Qty: _____ Approved By: _____

9" Wide MiniMax Hand Sinks

Hand Sinks

HS-1

9"W MiniMax Hand Sink



HS-19

9"W MiniMax Hand Sink with Side Splashes



SPECIFICATIONS

Fabrication	20 gauge stainless steel
Bowl	8"W x 8"L x 6" Deep drawn bowl with stamped rim to prevent spillage
Wall Mount Bracket	Offset design for added strength
Faucet	4" Center Wall Mount w/ 3-1/2" Gooseneck Spout
Drain	1-1/2" Stainless steel drain
Drain with Overflow	Stainless steel with plastic overflow tube and inlet
Plumbing	1/2" IPS hot and cold water. 1-1/2" IPS drain outlet. Install at 36" working height. 1/2" faucet supply 12" from floor. 1-1/2" drain line 23-1/4" from floor.
Lead Free	Faucet included is certified to NSF/ANSI 61 and 372 and conforms with the lead content requirements for lead free plumbing as defined by the U.S. Safe Drinking Water Act. Hand sink is certified NSF-2.

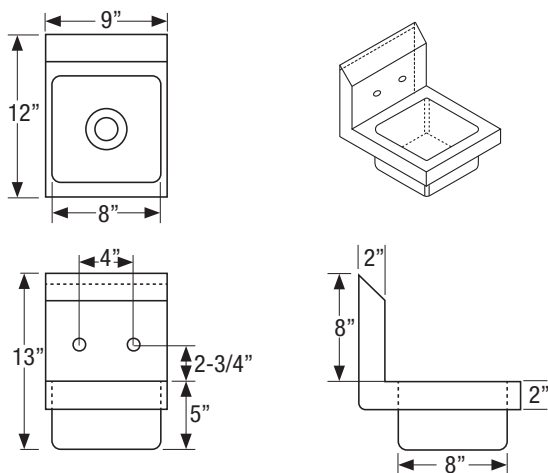
OPTIONAL ACCESSORIES

21-300L	Silver Series Faucet Valve Repair Kit
23-157	Overflow Assembly
H-100	Chrome Plated 1-1/2" IPS P-Trap
H-105	Wall Mount Towel Dispenser
H-108-1	9"W x 12"D Stainless Steel Skirt, Factory Installed
H-110	Side Support Brackets
H-116	Wall Mount Soap Dispenser

⚠ Warning: This product can expose you to chemicals including lead and lead compounds which are known to the State of California to cause cancer and birth defects or other reproductive harm. For more information go to www.P65Warnings.ca.gov.



HS-1



HS-19

