



DRIP TRAY

WALL MOUNT 16" WITH GLASS RINSER

- Add European style while creating dispense excitement.
- Condition the glass before pouring – invert glass, push down on sprayer for cold water rinsing.
- Easy installation: beverage shanks mount through and secure tray to wall.
- Welded corners, finished smooth for safety and appearance.



DP-322LD-4GR

Brushed Stainless Steel

 NSF Certified
(Rinser Only)

www.micromatic.com • 1 (866) 327-4159

WALL MOUNT 16" WITH 4 HOLES

Job Number: _____ Location: _____

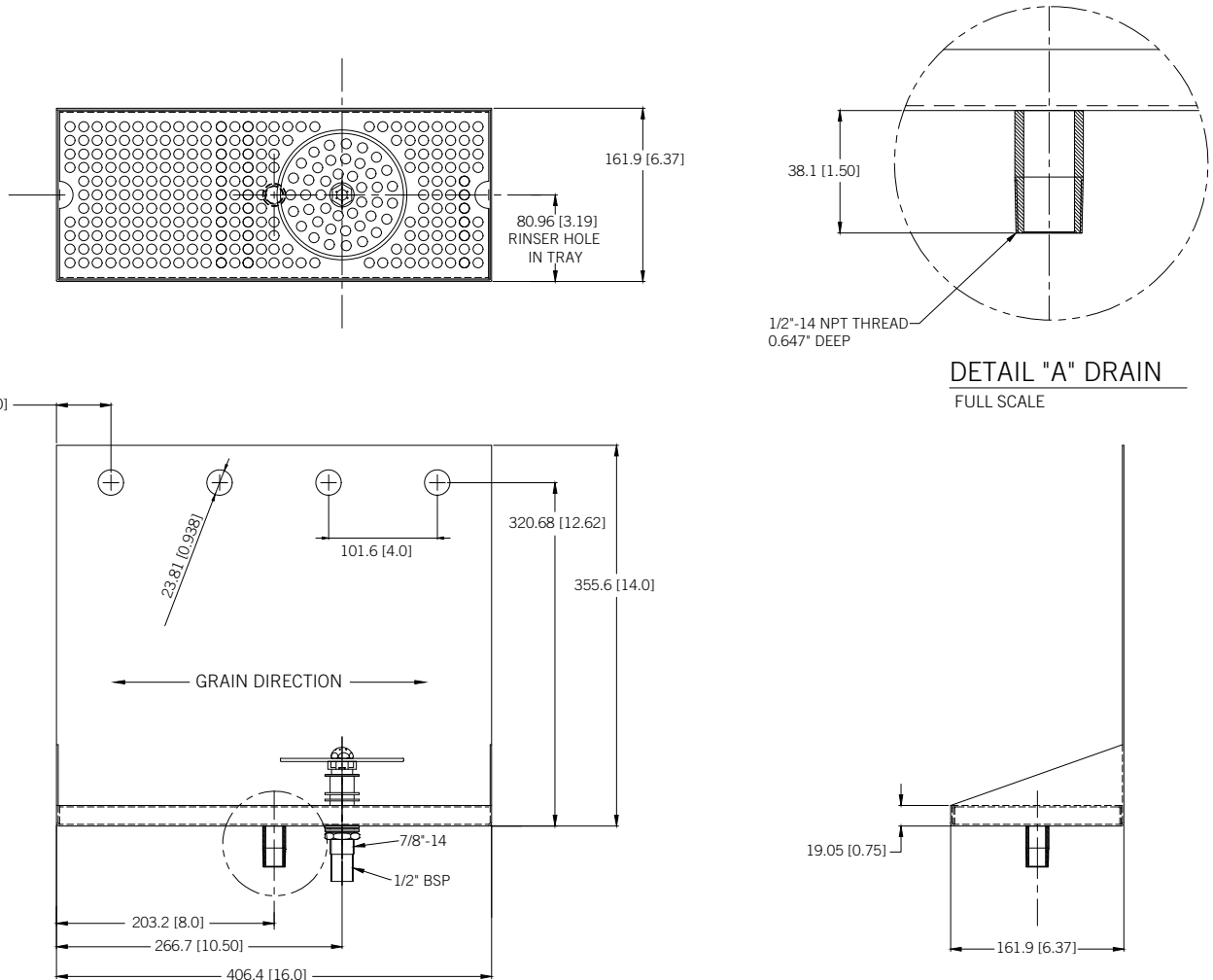
Part No.	Dimensions	Description	Shipping Weight
 DP-322LD-4GR	16" Width	Brushed Stainless Steel / 4 Holes	TBD

Rinser Water Inlet Installation

- Always check local plumbing codes first.
- Install in-line water regulator set at 15 PSI from the street water supply.
- Install a shutoff on the rinsing water supply.

NOTE: It is recommended a licensed plumber connect the glass rinser to the water supply line. Always use an in-line shut-off and water pressure regulator. Micro Matic shall not be held liable for damage caused by improper installation.

Dimensions



 **MICRO MATIC**
 Toll-Free: 1-866-327-4159
www.micromatic.com

West
 19791 Bahama St.
 Northridge, CA 91324
 Tel. (818) 701-9765
 Fax. (818) 701-9844

Central
 10726 North Second St.
 Machesney Park, IL 61115
 Tel. (815) 968-7557
 Fax. (815) 968-0363

Southeast
 15111 Dispense Ln.
 Brooksville, FL 34604
 Tel. (352) 799-6331
 Fax. (352) 796-2429

Northeast
 4601 Saucon Creek Rd.
 Center Valley, PA 18034
 Tel. (610) 625-4464
 Fax. (610) 625-4466