



PASS-THRU WORKSTATIONS with Double Deep Drawn Bowls



PR-44X42SP-10-L Shown

Item #:	_____	Qty #:	_____
Model #:	_____		
Project #:	_____		

Model #	O.A. L x W	A	Sink Bowl Size	Ice Capacity	Approx. Weight	Approx. Cu. Ft.
PR-42x30-10-L or R	42" x 40"	30"	9" x 9" x 4 1/2"	70 lbs.	250 lbs.	38
PR-42x42-10-L or R	42" x 52"	42"	9" x 9" x 4 1/2"	174 lbs.	400 lbs.	58
SIDE PANELS WITH PERFORATED DRAINBOARD SHELF						
PR-44x30SP-10-L or R	44" x 40"	30"	9" x 9" x 4 1/2"	70 lbs.	350 lbs.	59
PR-44x42SP-10-L or R	44" x 52"	42"	9" x 9" x 4 1/2"	174 lbs.	575 lbs.	59

NOTE: To determine left or right hand model, Ice Bin is either **Left (L)** or **Right (R)** of the sink from the bartender side.

Conforms To NSF 61/9 Lead Free Requirements



**Recessed 15A - 120V GFI
Duplex Receptacle Located
Beneath Blender Shelf**



**Featuring Deep Drawn
Seamless Bowls**

FEATURES:

- Double **Deep Drawn** sink bowls.
- K-51 Deck mounted swing spout faucet
- Insulated ice bin with 10-Circuit cold plate sealed into the bottom of Ice Bin.
- Tube chase for soda gun
- Blender shelf with recessed duplex outlet located underneath shelf.
- Double tier speed rail
- Stainless steel legs with adjustable stainless steel bullet feet and adjustable side cross-bracing.

SIDE PANEL MODELS (SP Series)

- Side Panels with perforated drainboard shelf.
- Front Apron.
- Supported by side panels (legs not provided).

PLUMBING:

- Faucet:** 4" O.C. K-51 deck mount swing spout faucet
- Faucet meet federal lead free standards**
- Sink Bowl:** 1-1/2" IPS, 3-1/2" basket drain
- Ice Bin:** 1/2" IPS drain

MATERIAL:

- Sink Bowl, Sides, Ice Bin & Blender Shelf:** 20 gauge, 300 stainless steel
- Front Apron:** 22 gauge, 300 stainless steel
- Speed Rail:** 22 gauge rail, 16 gauge sides, 300 stainless steel
- Cold Plate:** Cast aluminum with 10 circuits sealed into the bottom
- Legs:** 1 5/8" O.D. 18 gauge, stainless steel with adjustable stainless steel bullet feet and side cross-bracing
- Insulation:** Foam Insulation.

SIDE PANEL MODELS (SP Series)

- Side Panels & Overshelf:** 18 gauge, 300 stainless steel

OPTIONAL:

- PR-SSC-PT30 - Sliding Ice Bin Cover** (for PR-44X30SP-10L or R and PR-42X30-10L or R)
- PR-SSC-PT42 - Sliding Ice Bin Cover** (for PR-44X42SP-10L or R and PR-42X42-10L or R)

Factory Installed ONLY:

- SU-43 - Dual Soda Gun Holder:** With openings for a single soda gun on each end; Exclusively for Prestige® series Pass-thru Workstations

Exclusively For SP Models:

- PRSO-44 - Single Overshelf**
- PRSO-44-G - Single Overshelf With Stemware Glass Rack**
- PRDO-44 - Double Overshelf**
- PRDO-44-G - Double Overshelf With Stemware Glass Rack**

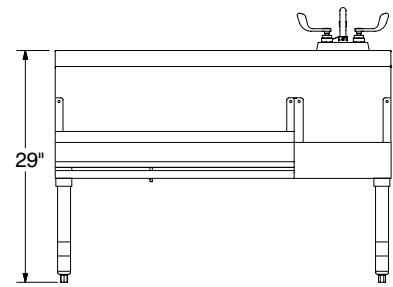
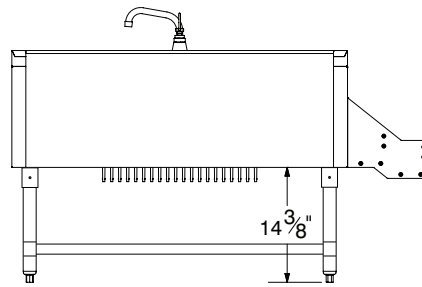
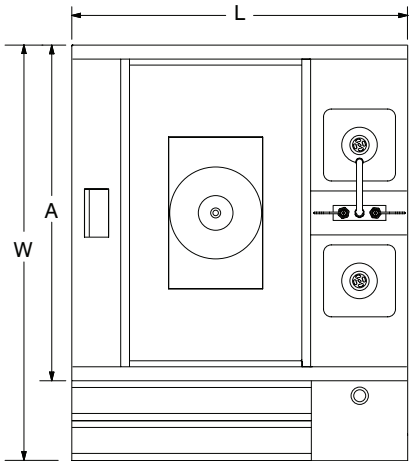
WARNING: Equipment that include faucets on this page may contain a chemical known to the State of California to cause cancer, birth defects or other reproductive harm.

DIMENSIONS and SPECIFICATIONS

TOL Overall: ± .500" Interior: ± .250"

ALL DIMENSIONS ARE TYPICAL

WITHOUT SIDE PANEL & OVERSHELF *Left Unit Shown With Optional Wrist Handles*



WITH SIDE PANEL & OVERSHELF *Right Unit Shown With Optional Wrist Handles*

