

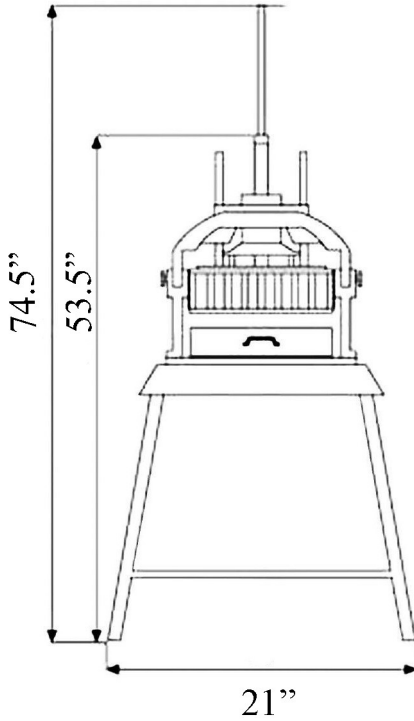


# MANUAL DOUGH DIVIDER

## Model # **UMX-DD36**



Product design may vary without notice.

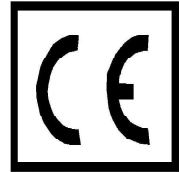


\*Comes with Stand

### FEATURES

Great for a pizza shop, bakery, or any establishment where dough needs to be evenly separated, the Uniworld UMX-DD36 dough divider produces 36 pieces at once. These pieces range from 1 to 4 ounces, depending on the intended application. The divider head can be removed without tools for replacement or cleaning, and this head is suitable for cleaning in a dishwasher. Providing versatility in a commercial environment, this divider can be used to separate pizza dough, cookie dough, etc.

NOTE: Stand/Table by itself is also available and sold separately.



Shipped on a pallet via freight co.

### SPECIFICATIONS

STYLE	POWER TYPE	# OF PORTIONS	PORTION WEIGHT	PRODUCT DIM. ( W x D x H )	NET WT. (LBS)
Floor Model	Manual	36	1 - 4 Ounces	21" x 18" x 49.75"	155

Uniworld Foodservice Equipment, Inc.  
 4841 Eastern Avenue, Bell, CA 90201  
 Phone: (323) 264-2000; Fax: (323) 264-2070  
 Toll Free Phone: (888) 777-0671; Fax: (888) 888-3185  
 Website: [www.uniworldfoodequip.com](http://www.uniworldfoodequip.com)

