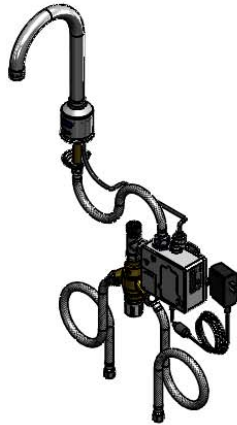
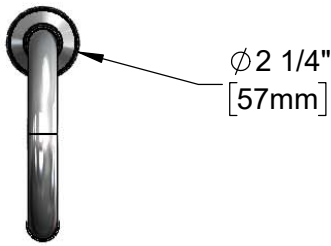


This Space for Architect/Engineer Approval

Job Name _____ Date _____
 Model Specified _____ Quantity _____
 Customer/Wholesaler _____
 Contractor _____
 Architect/Engineer _____



ADA Compliant



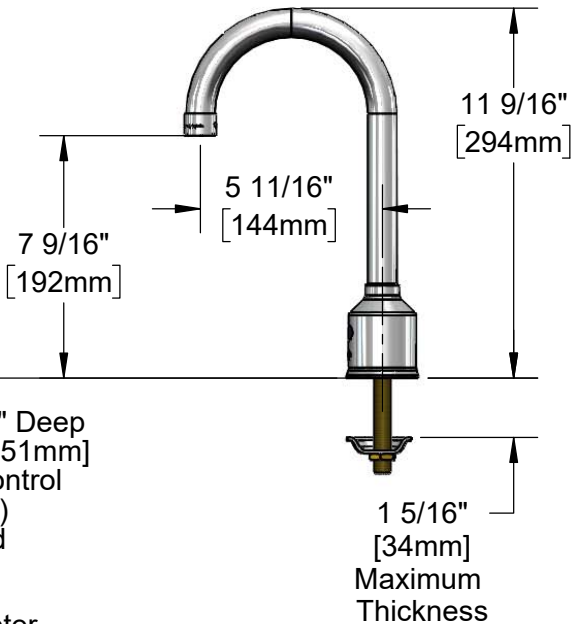
Rigid Gooseneck w/
 B-0199-06
 2.2 GPM [8.3 LPM] Vandal
 Resistant Aerator & Key

24" [610mm]
 Sensor Cable

1/2" NPSM x 1/4" NPSM
 18" [457mm] Flexible
 Stainless Steel Hose

Removable
 Strainer

Mounting Surface



3 5/8" x 4 3/16" x 2" Deep
 [92mm x 106mm x 51mm]
 Water Resistant Control
 Module Box (White)
 AC or DC Operated
 w/ (4) AA Batteries

100-240 VAC Adapter
 w/ 71" [1800mm]
 Power Cord. (Remove
 Rubber Plugs on Module
 and Cable to Connect)

5EF-TMV
 ASSE 1070 Thermostatic Mixing
 Valve w/ Check Valves

(2) 3/8" Compression x 1/2" NPSM
 18" [457mm] Flexible Stainless Steel
 Supply Hose

Rough-In Requirement:
 Ø 1" [25mm] Mounting Hole

Model Number

5EF-1D-DG-TMV

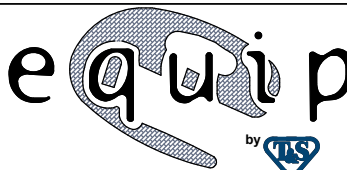
Product Specifications:

Electronic Faucet: Deck Mount, Rigid Gooseneck, 2.2 GPM VR
 Aerator, AC-DC Control Module, Thermostatic Temperature Control
 Mixing Valve, Check Valves & (2) 18" Flexible Supply Hoses

Product Compliance:

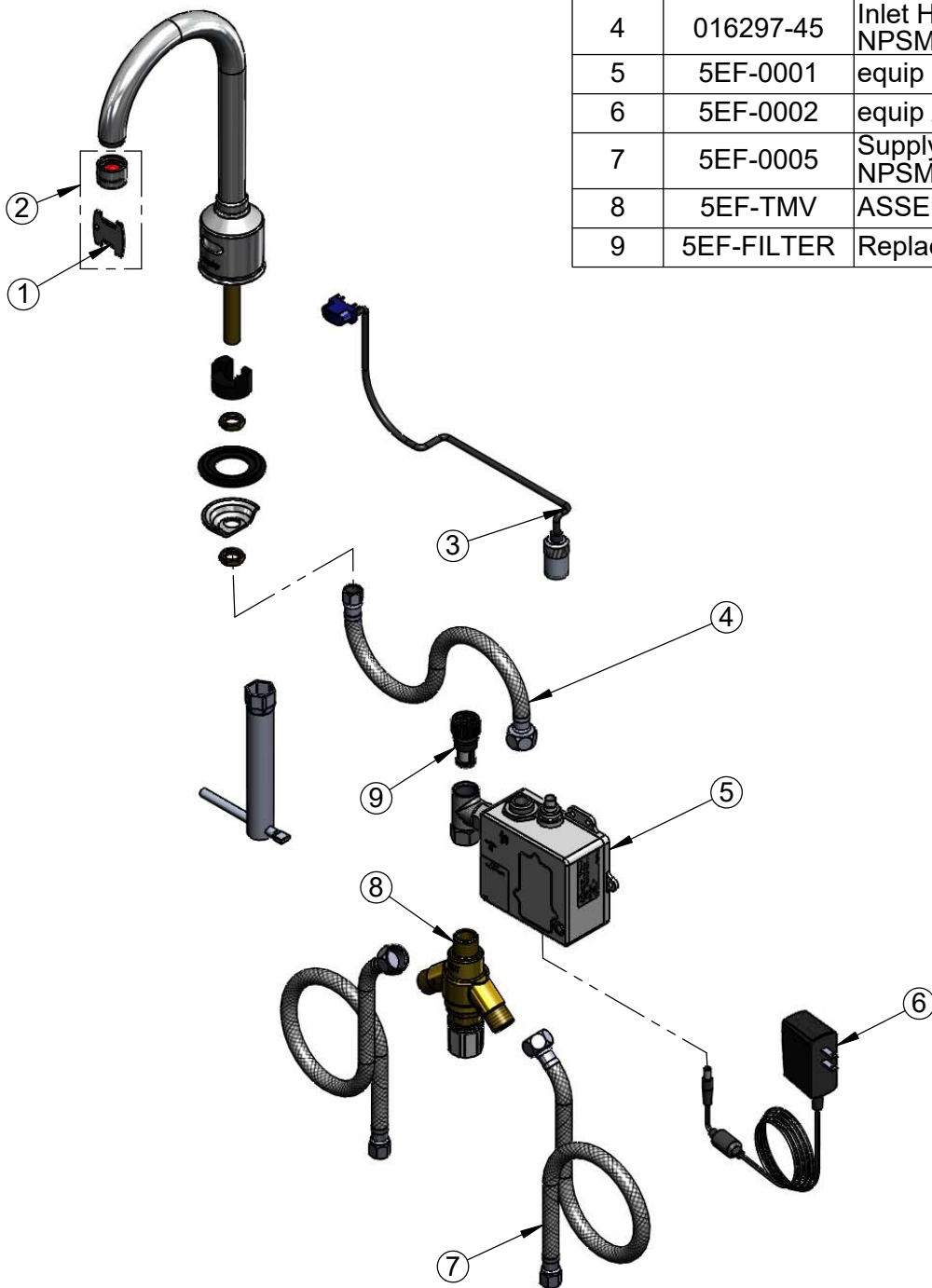
ASME A112.18.1 / CSA B125.1
 NSF 61 - Section 9
 NSF 372 (Low Lead Content)
 ANSI A117.1 (ADA)
 UL 1951
 ASSE 1070 (TMV)

equip
 Foodservice
 Accessories



2 Saddleback Cove, P.O. Box 1088
 Travelers Rest, South Carolina 29690
 Phone: 800.891.4808 Fax: 800.868.0084
 equip.tsbrass.com

ITEM NO.	SALES NO.	DESCRIPTION
1	015425-45	Vandal Resistant Key
2	B-0199-06	VR 2.2 GPM Aerator, 55/64-27 UN Female w/ Key
3	5EF-0004	24" Sensor Cable
4	016297-45	Inlet Hose, Faucet, 1/2" NPSM-F x 1/4" NPSM-F
5	5EF-0001	equip Sensor Faucet - Control Module
6	5EF-0002	equip AC Transformer, 100-240 VAC
7	5EF-0005	Supply Hose, 9/16-24 Female x 1/2" NPSM
8	5EF-TMV	ASSE 1070 Thermostatic Mixing Valve
9	5EF-FILTER	Replacement Filter



Model Number

5EF-1D-DG-TMV

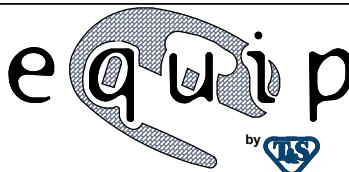
Product Specifications:

Electronic Faucet: Deck Mount, Rigid Gooseneck, 2.2 GPM VR Aerator, AC-DC Control Module, Thermostatic Temperature Control Mixing Valve, Check Valves & (2) 18" Flexible Supply Hoses

Product Compliance:

ASME A112.18.1 / CSA B125.1
NSF 61 - Section 9
NSF 372 (Low Lead Content)
ANSI A117.1 (ADA)
UL 1951
ASSE 1070 (TMV)

equip
Foodservice
Accessories



2 Saddleback Cove, P.O. Box 1088
Travelers Rest, South Carolina 29690
Phone: 800.891.4808 Fax: 800.868.0084
equip.tsbrass.com