

- Display draft beer variety with contemporary style.
- The draft tower is a marketing tool, not just a bar fixture.
- Exterior finish will provide years of durable service.
- All stainless steel contact with the beer for the ultimate in draft purity.



PVD Brass  
**DS-256-PVDKR**



Stainless Steel  
**DS-356-PSSKR**

### Features



Tarnish Free  
PVD Brass.



Certified  
by the National  
Sanitation Foundation.



Stainless Steel  
beer contact for the pure  
taste of fresh draft beer.




The integrated Kool-Rite module provides  
optimum cooling at the point of dispense.  
Modular construction makes the installation  
process as simple as PLUG "N" POUR.

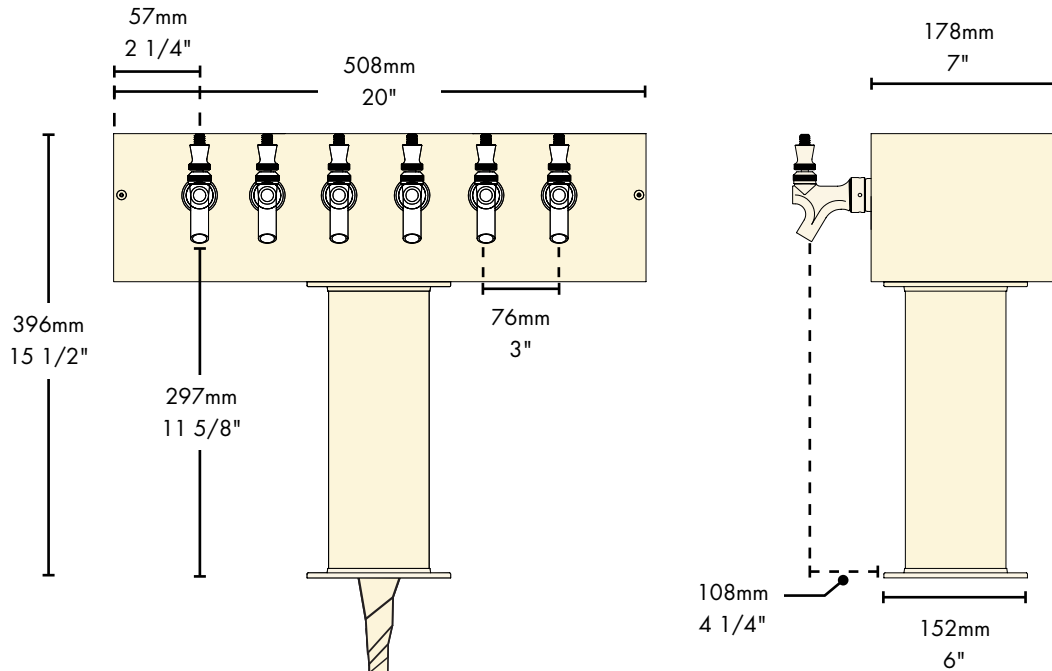
# Specifications

Micro Matic reserves the right to change specifications without notice. **AUTOQUOTES**

Part No.	Faucets	Finish	Dispense System	Shipping Weight	Box Dimensions
<input type="checkbox"/> <b>DS-356-PSSKR*</b>	6	Polished S/S	Kool-Rite (Glycol)	15 kg 33 lbs	1245mm L x 610mm W x 356mm H 49"L x 24"W x 14"H
<input type="checkbox"/> <b>DS-256-PVDKR*</b>	6	PVD Brass	Kool-Rite (Glycol)	15 kg 33 lbs	1245mm L x 610mm W x 356mm H 49"L x 24"W x 14"H

 NSF Certified

# Dimensions

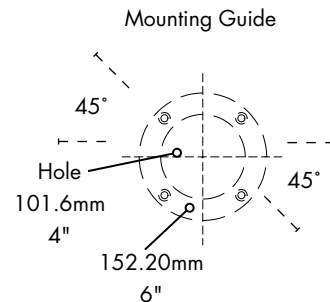
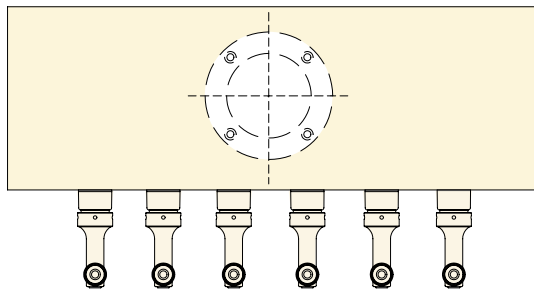


**BEER:**

6.4mm (1/4") O.D. Stainless Steel with 7.94mm - 9.52mm (5/16" - 3/8") Barb Fittings

**GLYCOL:**

9.52mm (3/8") O.D. Copper with 9.52mm (3/8") Barb Fittings



Copyright ©2011 Micro Matic USA, Inc. All Rights Reserved. 000225D1008



[www.micromatic.com](http://www.micromatic.com)

Toll Free: 1-(866) 327-4159

West	Central	Southeast	Northeast
19791 Bahama Street Northridge, CA 91324 Tel. (818) 701-9765 Fax. (818) 701-9844	10726 North Second Street Machesney Park, IL 61115 Tel. (815) 968-7557 Fax. (815) 968-0363	2364 Simon Court Brooksville, FL 34604 Tel. (352) 799-6331 Fax. (352) 796-2429	4601 Saucon Creek Road Center Valley, PA 18034 Tel. (610) 625-4464 Fax. (610) 625-4466