

3M™ Water Filtration Products

3M™ Model HF125-C TDS Adjustment System for Steamer, Combi-Oven and Espresso Applications

The 3M™ Model HF125-C TDS Adjustment System adds minerals into low TDS incoming water supplies that require added minerals to achieve product and/or equipment specifications. The system helps to neutralize low pH, acidic water. Acidic water is known to cause corrosion and damage to equipment such as steamers, combi-ovens and espresso machines. The system also helps to enhance the taste of espresso based drinks by adding minerals into the incoming water. The 3M Model HF125-C TDS Adjustment System is ideal for use in low TDS water supplies or as post treatment for a reverse osmosis system. The system is simply plumbed inline with the incoming water supply.

Product Benefits:

- TDS adjustment cartridge helps to neutralize low pH, acidic water thereby helping to protect equipment from corrosion
- Sanitary Quick Change (SQC) encapsulated cartridge design eliminates media contamination during change-outs with a ¼ turn
- Direct or easily adaptable connections to existing plumbing lines with 3/8" FNPT horizontal inlet and outlet ports
- The 3M Model HF125-C is tested and certified to NSF Standard 42 under the 3M High Flow Series modular products for structural integrity and material safety.



Product Specifications:

- Temperature: 40° -100°F (4.4° - 37.8°C)
- Pressure: 25-125 psi (172 - 862 kPa)

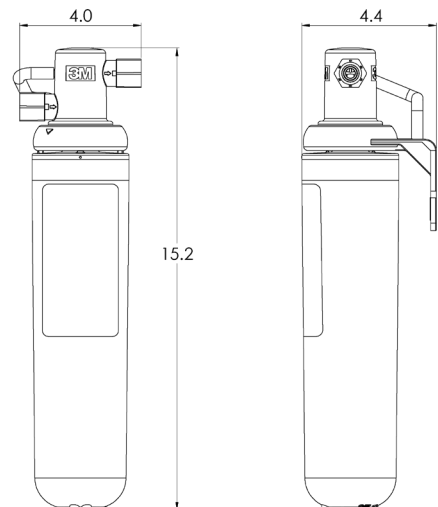
3M Model HF125-C TDS Adjustment System

System

Model Number	3M ID	JDE ID	Description
HF125-C	70020365444	5639701	TDS Adjustment

Replacement Cartridge

Model Number	3M ID	JDE ID	Description
HF25-C	70020365451	5632204	TDS Adjustment Replacement Cartridge



3M™ Model HF125-C TDS Adjustment System for Steamer, Combi-Oven and Espresso Applications

Spec # _____
Quantity _____
Model # _____
Part # _____

Important Installation Tips:

These installation tips are for informational purposes only and are not intended to be used as actual installation instructions.

⚠ WARNING: Read entire product manual and Performance Data Sheet. Failure to follow all product instructions could cause personal injury from exposure to contaminants AND/OR property damage due to water leakage or flooding.

- **For cold water use only.** Not for residential applications.
- System installation and use must comply with all state and local regulations and plumbing codes.
- Filter cartridge must be replaced at the required intervals as stated on the product label and manual.
- If your water supply pressure is higher than 80 psi, you must install a pressure reducing valve before installing system.
- **DO NOT use** with water that is microbiologically unsafe or of unknown quality without adequate disinfection before or after the system.
- The 3M Model HF125-C TDS Adjustment System is tested and certified to NSF Standard 42 and CSA B483.1 under the 3M High Flow Series modular products for structural integrity and material safety

Technical Information: The technical information, guidance, and other statements contained in this document or otherwise provided by 3M are based upon records, tests, or experience that 3M believes to be reliable, but the accuracy, completeness, and representative nature of such information is not guaranteed. Such information is intended for people with knowledge and technical skills sufficient to assess and apply their own informed judgment to the information. No license under any 3M or third party intellectual property rights is granted or implied with this information.

Product Selection and Use: Many factors can affect whether a 3M product is appropriate for a particular application and how it performs, including local water and plumbing conditions. Customer is solely responsible for determining whether a 3M product meets customer's specific application requirements, including testing incoming source water quality and comparing it to the product's capabilities described in the Performance Data Sheet. Failure to properly evaluate, select, use or maintain a 3M product, or to meet applicable regulations or instructions, may result in personal injury from exposure to contaminants AND/OR property damage due to water leakage or flooding.

Limited Warranty, Limited Remedy, and Disclaimer: 3M warrants that this product (excluding filter cartridge or filter membrane) will be free from defects in material and manufacture for the period of one (1) year from the date of purchase. No warranty is given as to the service life of any filter cartridge or membrane as it will vary with local water conditions and water consumption. Except as required by law, 3M MAKES NO OTHER WARRANTIES OR CONDITIONS, EXPRESS OR IMPLIED, INCLUDING, BUT NOT LIMITED TO, ANY IMPLIED WARRANTY OR CONDITION OF MERCHANTABILITY OR FITNESS FOR A PARTICULAR PURPOSE OR ANY IMPLIED WARRANTY OR CONDITION ARISING OUT OF A COURSE OF DEALING, CUSTOM OR USAGE OF TRADE. This warranty does not cover failures resulting from misuse, alterations, failure to follow instructions or damage not caused by 3M. This warranty does not cover labor. If the 3M product does not conform to this warranty, then the sole and exclusive remedy is, at 3M's option, replacement of the 3M product or refund of the purchase price.

This warranty gives you specific legal rights, and you may have other rights which may vary from state to state, or country to country. For warranty questions or service, please call 866.990.9785. Proof of purchase must accompany a warranty claim.

Limitation of Liability: Except for the limited remedy stated above, and except to the extent prohibited by law, 3M will not be liable for any loss or damage arising from or related to the 3M product, whether direct, indirect, special, incidental, or consequential (including, but not limited to, lost profits or business opportunity), regardless of the legal or equitable theory asserted, including, but not limited to, warranty, contract, negligence, or strict liability.



3M Purification Inc.
3M Separation and Purification Sciences
Division

400 Research Parkway
Meriden, CT 06450 U.S.A.

Toll Free 1-866-990-9785
Worldwide 1-203-237-5541
Web www.3M.com/waterquality

3M is a trademark of 3M Company. NSF is a trademark of NSF International.
© 2023 3M Company. All rights reserved.
Please recycle. Printed in U.S.A.