



SERVING THE FOOD INDUSTRY SINCE 1951

Refrigerated Floor Showcase with Stainless Steel Exterior

ITEM: 50082	50077	50083	50078
MODEL: RS-CN-0092-B	RS-CN-0120-B	RS-CN-0163-B	RS-CN-0200-B
ITEM: 50084	50079	50085	50080
MODEL: RS-CN-0092-S	RS-CN-0120-S	RS-CN-0163-S	RS-CN-0200-S



Attractively display food merchandise and increase impulse sales.

Display your products brilliantly. The glass display makes sure that your customers have a view of your refrigerated products. This unit has a large capacity and lets you store and display many products simultaneously, which is especially helpful for busy stores.

FEATURES:

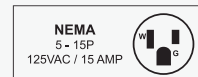
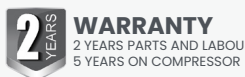
- Interior: Aluminum liner with stainless steel floor
- Exterior: stainless steel
- Attractive curved glass with rear sliding glass doors
- Rounded corner design inside of the cabinet makes storage room easy to clean
- Removable installation board for easy cleaning and service
- Shelves: Adjustable heavy-duty PVC coated shelves
- LED interior lighting
- Gravity coil refrigeration system to avoid drying up and preservation of food products

Telephone: 1-800-465-0234

Fax: (905) 607-0234

Email: sales@omcan.com

Website: www.omcan.com

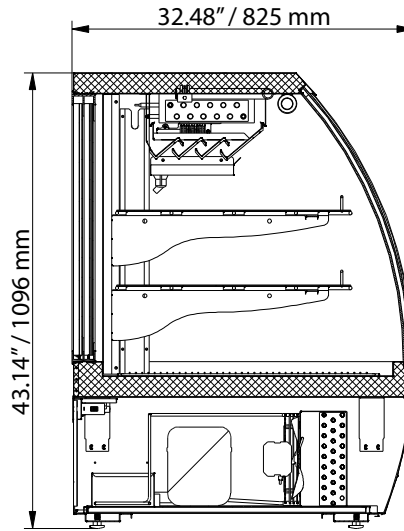
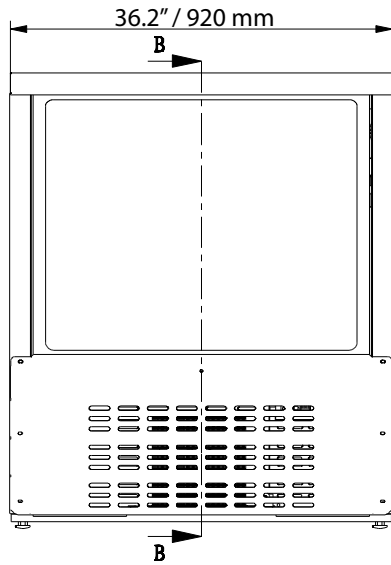


Authorized Dealer

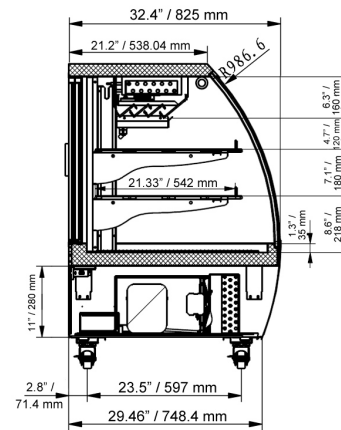
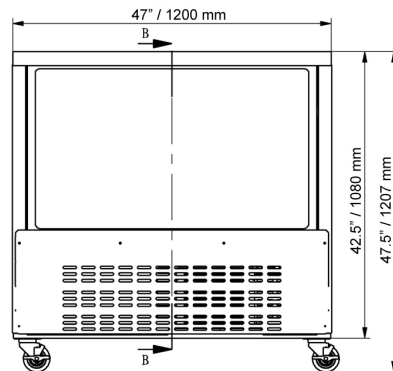
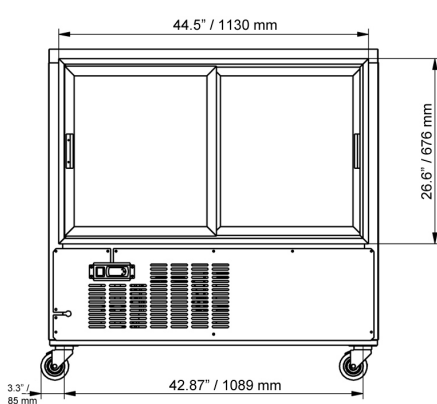
TECHNICAL SPECIFICATION

Features	36" wide with 11.6 cu.ft. capacity		47" wide with 18 cu.ft. capacity		64" wide with 22 cu.ft. capacity		82" wide with 32 cu.ft. Capacity	
Item	50082	50084	50077	50079	50083	50085	50078	50080
Model	RS-CN-0092-B	RS-CN-0092-S	RS-CN-0120-B	RS-CN-0120-S	RS-CN-0163-B	RS-CN-0163-S	RS-CN-0200-B	RS-CN-0200-S
Color	Black	Silver	Black	Silver	Black	Silver	Black	Silver
Capacity	11.6 cu.ft. (328 L)		18 cu.ft. (508L)		22 cu.ft. (620 L)		32 cu.ft. (903 L)	
Number of Doors	2 Sliding Doors		2 Sliding Doors		2 Sliding Doors		2 Sliding Doors	
Number of Shelves	3		3		3		3	
Casters	-		-		-		-	
Power	1/3 HP		1/4 HP		3/5 HP		3/4 HP	
Amps	4.7 A		3.12 A		7.1 A		7.1 A	
Electrical	115V / 60Hz / 1Ph		115V / 60Hz / 1Ph		115V / 60Hz / 1Ph		115V / 60Hz / 1Ph	
Temperature Controller	Digital		Digital		Digital		Digital	
Temperature Range	6 to 0°C (43 to 32°F)		6 to 0°C (43 to 32°F)		6 to 0°C (43 to 32°F)		6 to 0°C (43 to 32°F)	
Refrigerant	R290		R290		R290		R290	
Defrosting	Automatic		Automatic		Automatic		Automatic	
Cooling System	Ventilated		Ventilated		Ventilated		Ventilated	
Interior Dimensions (WDH)	32.3" x 26.7" x 27.2" (820 x 678 x 691 mm)		43.3" x 26.7" x 27.2" (1100 x 678 x 691 mm)		60.2" x 26.7" x 27.2" (1524 x 678 x 691 mm)		78" x 26.7" x 27.2" (1981 x 678 x 691 mm)	
Net Weight	260 lb. (118 kg.)		319 lb.(145 kg.)		399 lb. (181 kg.)		506 lb. (230 kg.)	
Net Dimensions (WDH)	36" x 32.5" x 43" (914 x 826 x 1092 mm)		47" x 32.5" x 43" (1194 x 826 x 1092 mm)		64" x 32.5" x 43" (1626 x 826 x 1092 mm)		82" x 32.5" x 43" (2083 x 826 x 1092 mm)	
Gross Weight	297.6 lb. (135 kg.)		399 lb. (81 kg.)		485 lb. (220 kg.)		638 lb. (290 kg.)	
Gross Dimensions (WDH)	41" x 37" x 50" (1041 x 940 x 1270 mm)		52" x 37" x 50" (1321 x 826 x 1092 mm)		69" x 37" x 50" (1753 x 826 x 1092 mm)		87" x 37" x 50" (2210 x 826 x 1092 mm)	
Plug Type	NEMA 5-15P		NEMA 5-15P		NEMA 5-15P		NEMA 5-15P	

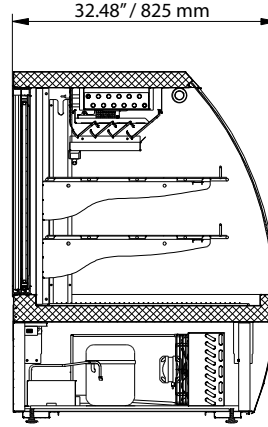
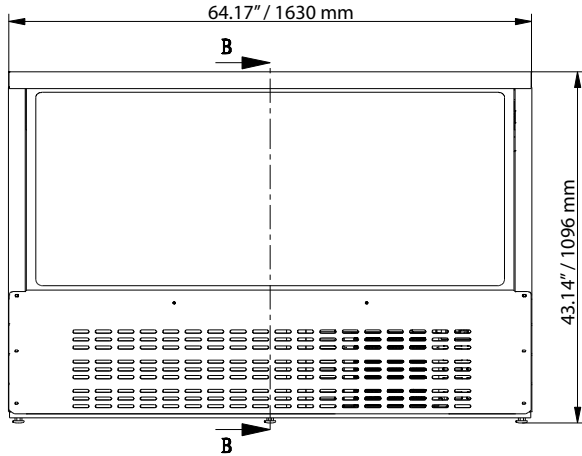
TECHNICAL DRAWING



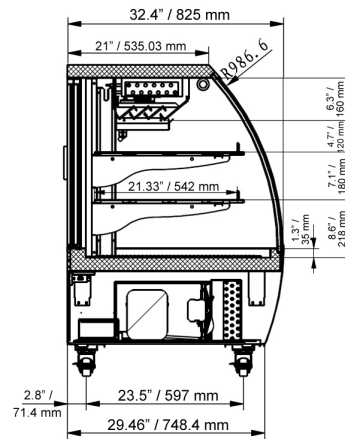
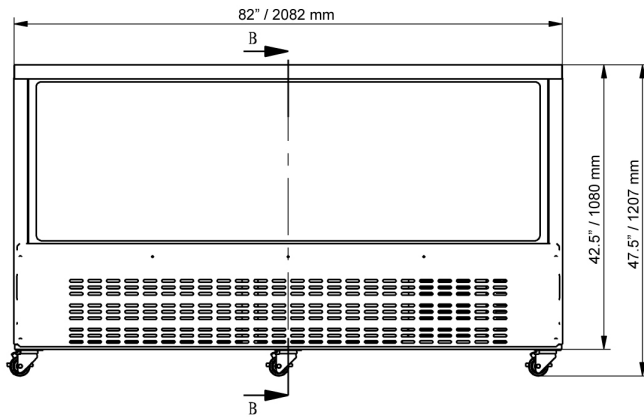
Black - 50082
Silver - 50084



Black - 50077
Silver - 50079



Black - 50083
Silver - 50085



Black - 50078
Silver - 50080

