



T&S BRASS AND BRONZE WORKS, INC.
 2 Saddleback Cove / P.O. Box 1088
 Travelers Rest, SC 29690

Model No.
016419-25

Item No.

Travelers Rest, SC: 800-476-4103 • Simi Valley, CA: 800-423-0150 • Fax: 864-834-3518 • www.tsbrass.com

This Space for Architect/Engineer Approval

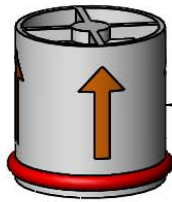
Job Name _____ Date _____

Model Specified _____ Quantity _____

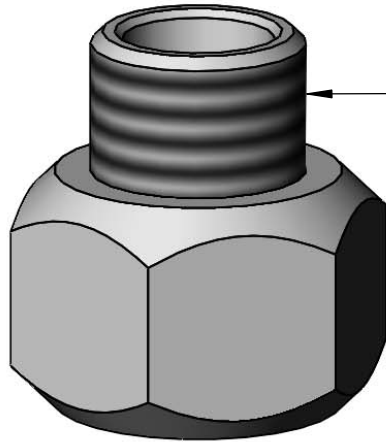
Customer/Wholesaler _____

Contractor _____

Architect/Engineer _____



10mm Check Valve



3/8" Compression
Check Valve Body



Filter Washer

Product Specifications:
 3/8" Compression Check Valve Assembly (Female x Male)
 w/ 10mm Check Valve & Filter Washer

Product Compliance:
 NSF 61 - Section 9
 NSF 372 (Low Lead Content)