



Model: 14-550L Item #: \_\_\_\_\_ Date: \_\_\_\_\_  
 Project: \_\_\_\_\_ Qty: \_\_\_\_\_ Approved By: \_\_\_\_\_

# Single Handle Lavatory Faucet

Royal Series Plumbing



## Description

- Single Hole Single Handle Faucet, Polished Chrome Finish, 1.2 GPM Aerator Installed

## Standard Features

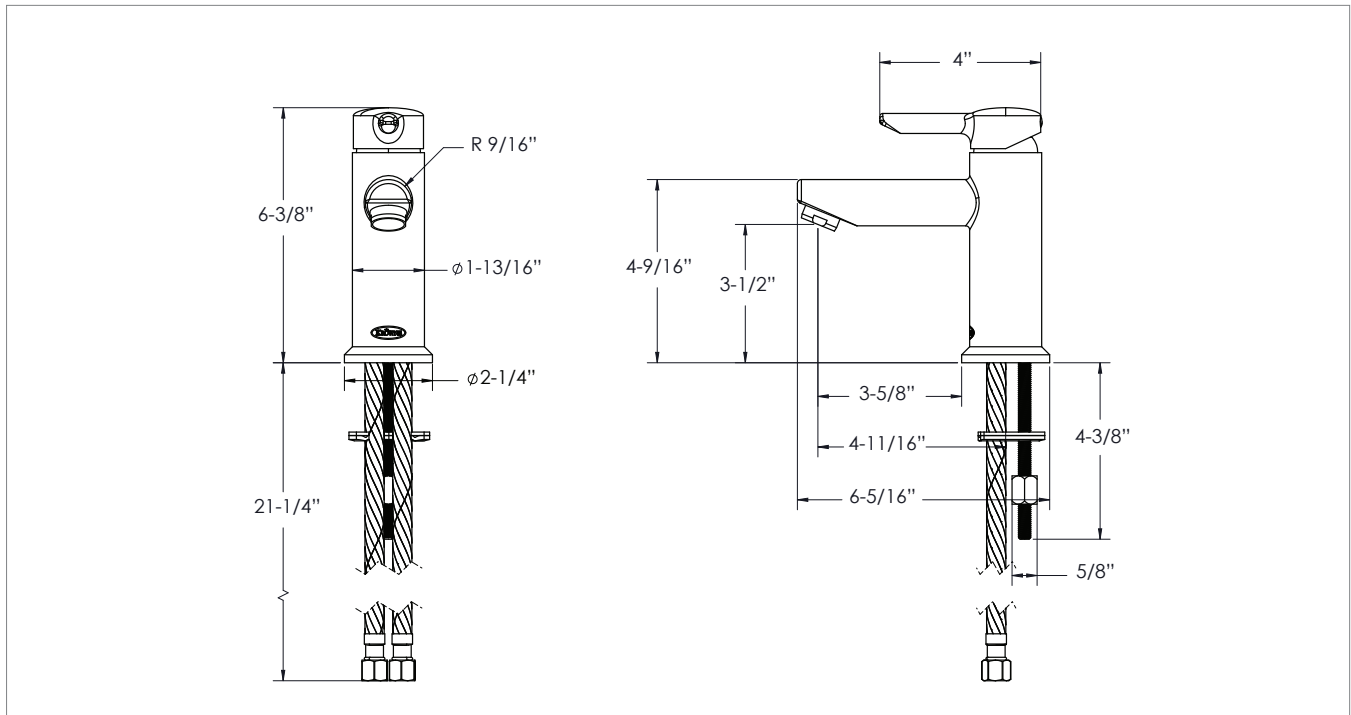
- Ceramic cartridge valve with metal stem
- Single lever handle
- Warranty: 1 Year

## Specifications

<b>Water Inlet</b>	Pre-Installed 3/8" Water Lines
<b>Temp. Range</b>	40°F - 180°F
<b>Rough In</b>	1-1/4" Single Hole
<b>Flow Rate</b>	1.2 GPM
<b>Material</b>	Chrome Polished Stainless Steel
<b>Weight</b>	2 lbs.

## Product Compliance

- ASME A112.18.1-2012/CSA B125.1-12
- NSF-61
- NSF/ANSI 372
- Meets ANSI A117.1 (ADA)
- CEC Listed
- Massachusetts Approved



WARNING: Plumbing connections should be made by qualified personnel who will observe all applicable plumbing, sanitary and safety codes.

WARNING: This product can expose you to chemicals including lead and lead compounds, which are known to the State of California to cause cancer and birth defects or other reproductive harm. For more information go to [www.P65Warnings.ca.gov](http://www.P65Warnings.ca.gov).

Krowne Metal Corporation • 100 Haul Rd. Wayne, NJ 07470 • P: (800) 631-0442 • [customerservice@krowne.com](mailto:customerservice@krowne.com) • [krowne.com](http://krowne.com)

Due to our commitment to continued product improvement, specifications are subject to change without notice.

Rev. 12/2021 • No. 14-550L