



# T&S BRASS AND BRONZE WORKS, INC.

2 Saddleback Cove / P.O. Box 1088  
Travelers Rest, SC 29690

Model No.

**B-0113-CR-BJ-ST**

Item No.

Travelers Rest, SC: 800-476-4103 • Simi Valley, CA: 800-423-0150 • Fax: 864-834-3518 • www.tsbrass.com

This Space for Architect/Engineer Approval

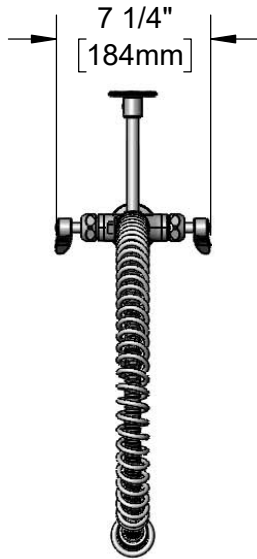
Job Name \_\_\_\_\_ Date \_\_\_\_\_

Model Specified \_\_\_\_\_ Quantity \_\_\_\_\_

Customer/Wholesaler \_\_\_\_\_

Contractor \_\_\_\_\_

Architect/Engineer \_\_\_\_\_



Items Not Shown For Clarity

44" Flexible Stainless Steel Hose w/ Spring & Spray Valve

B-TEE-RGD Tee for Accessory Fittings

Direction of Tee is Discretion of End-User During Installation

018200-40 Pre-Rinse Swivel

B-0107-J 1.07 GPM Spray Valve

Finger Hook

EasyInstall Lock Nut & Bushing

2 5/16" [58mm]

13 1/4" [336mm]

14 1/8" [358mm]

B-0199-01 6" Wall Bracket

43 15/16" [1116mm]

3/8" NPT x 24" Riser

Mounting Surface

Ø 2 1/4" [57mm] Deck Flange

Quarter-Turn Cerama Cartridges w/ Check Valves & Lever Handles w/ Color Coded Indexes

18" Flexible Stainless Steel Supply Hoses

Compression Fittings for 5/8" O.D. Copper Tubing (Remove Compression Nut for 1/2" NPSM Male)

1 7/8" [48mm] Maximum Thickness

Rough-In Requirement:  
Ø 1 1/2" [38mm] Mounting Hole

**Product Specifications:**

EasyInstall Pre-Rinse Unit: Single Hole Deck Mount Mixing Faucet, Quarter-Turn Cerama Cartridges w/ Check Valves, Lever Handles, 44" Flexible Stainless Steel Hose, 1.07 GPM Spray Valve, Flexible Supply Hoses, Pre-Rinse Swivel, Accessory Fitting & 6" Wall Bracket

**Product Compliance:**

ASME A112.18.1 / CSA B125.1  
NSF 61 - Section 9  
NSF 372 (Low Lead Content)  
2019 DOE PRSV - Class II



# T&S BRASS AND BRONZE WORKS, INC.

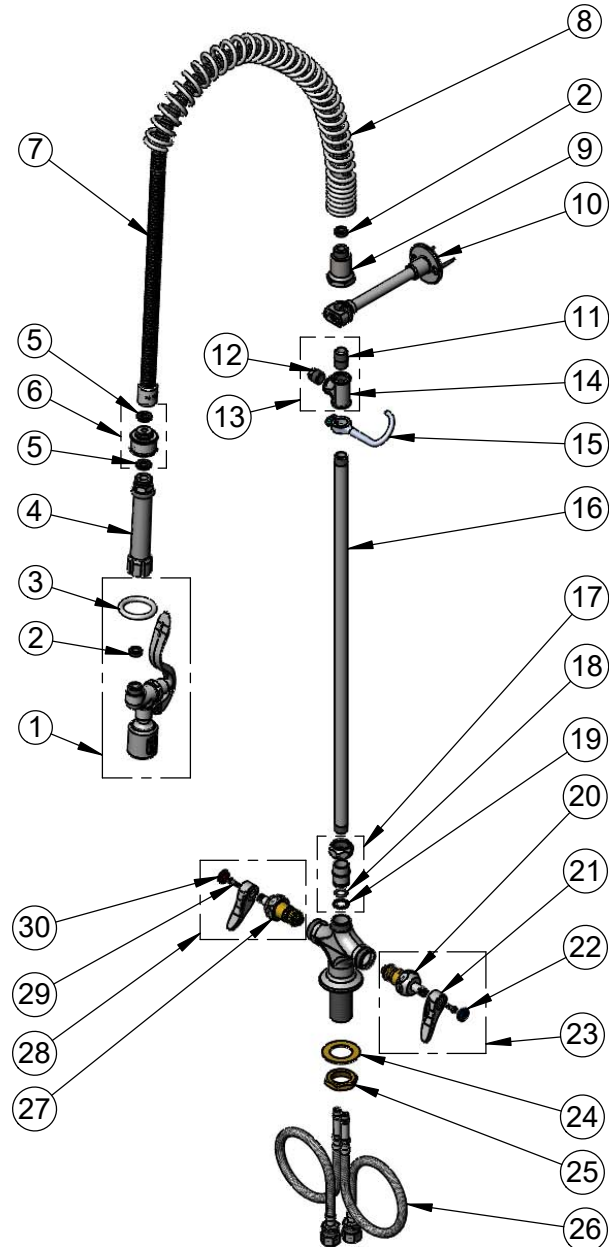
2 Saddleback Cove / P.O. Box 1088  
Travelers Rest, SC 29690

Model No.

**B-0113-CR-BJ-ST**

Item No.

Travelers Rest, SC: 800-476-4103 • Simi Valley, CA: 800-423-0150 • Fax: 864-834-3518 • www.tsbrass.com



ITEM NO.	SALES NO.	DESCRIPTION
1	B-0107-J	1.07 GPM Spray Valve
2	010476-45	#27 Washer
3	000907-45	Spray Valve Hold Down Ring
4	002987-40	Grip Handle
5	001014-45	Washer, B-0100 Hose Barrel
6	018200-40	Pre-Rinse Swivel
7	B-0044-H2A	44" Flexible Stainless Steel Hose, Less Handle
8	000888-45	EasyInstall Overhead Spring
9	000821-40	Spring Body
10	B-0109-01	6" Wall Bracket
11	002535-25	3/8" NPT Close Nipple
12	002369-25	3/8" NPT Plug
13	B-TEE-RGD	Rigid Tee
14	001614-40	3/8" NPT Tee
15	004R	Finger Hook
16	000372-40	3/8" NPT x 24" Riser
17	EZ-K	EasyInstall Kit: Nut, Bushing, O-ring & Lock Washer
18	001065-45	O-Ring
19	014200-45	Star Washer, Anti-Rotation
20	012395-25NS	Quarter-Turn Cerama Cartridge w/ Check Valve, LTC
21	001638-45NS	Lever Handle (New Style)
22	018506-19NS	Blue Button Index, Press-in
23	012447-25NS	Quarter-Turn Cerama Cartridge w/ Check Valve, Handle, Blue Index & Screw, LTC
24	002290-45	Lock Washer
25	000965-45	Lock Nut
26	012534-45	18" Flexible Supply Hose (2)
27	012394-25NS	Quarter-Turn Cerama Cartridge w/ Check Valve, RTC
28	012446-25NS	Quarter-Turn Cerama Cartridge w/ Check Valve, Handle, Red Index & Screw, RTC
29	000925-45	Lab Handle Screw
30	001193-19NS	Red Button Index, Press-in

**Product Specifications:**

EasyInstall Pre-Rinse Unit: Single Hole Deck Mount Mixing Faucet, Quarter-Turn Cerama Cartridges w/ Check Valves, Lever Handles, 44" Flexible Stainless Steel Hose, 1.07 GPM Spray Valve, Flexible Supply Hoses, Pre-Rinse Swivel, Accessory Fitting & 6" Wall Bracket

**Product Compliance:**

ASME A112.18.1 / CSA B125.1  
NSF 61 - Section 9  
NSF 372 (Low Lead Content)  
2019 DOE PRSV - Class II