

# Refrigerated Pizza Prep-Table

- Prep, store, and assemble pizzas with a refrigerated prep-table with granite top
- Create delicious pizzas without leaving a single workstation
- Improve kitchen flow and maintain organization
- Available in 2 and 3 door configurations
- Casters (2 locking) included for easy mobility



UCPP466-SS61A



UCPP488-SS61A

| Model         | Description                              | Voltage/Hz/Phase/Amps | Shipping Weight |
|---------------|--|-----------------------|-----------------|
| UCPP466-SS61A | 65" 2 Door Refrigerated Pizza Prep Table | 115v / 60hz / 1 / 5   | 662 lb          |
| UCPP488-SS61A | 88" 3 Door Refrigerated Pizza Prep Table | 115v / 60hz / 1 / 5   | 882 lb          |

### Specifications

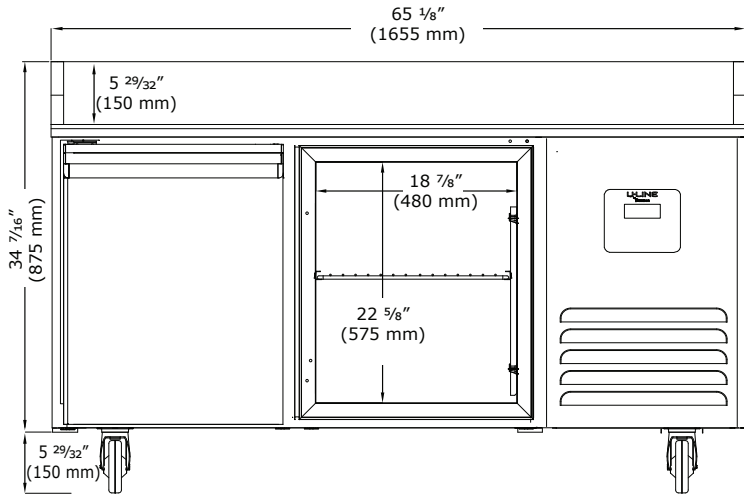
|  |  |
|--|--|
| UCPP466-SS61A dimensions: 40 5/16" H x 65 1/8" W x 31 15/32" D   | UCPP488-SS61A dimensions: 40 5/16" H x 88 3/8" W x 31 15/32" D |
| UCPP466-SS61A volume: 14 cu ft   | UCPP488-SS61A volume: 21.89 cu ft                              |
| UCPP466-SS61A includes 2 epoxy coated wire shelves   | UCPP488-SS61A includes 3 epoxy coated wire shelves             |
| AISI 304 stainless steel interior and exterior with granite worktop, ETL sanitation certified              |  |
| Autodefrost  |  |
| CFC-free high-density polyurethane insulated cabinet   |  |
| Electronic digital temperature control with alarms   |  |
| Environmentally friendly R449a refrigerant: UCPP466-SS61A: 10.6 oz (0.280 kg) / CPP488: 17.5 oz (0.500 kg) |  |
| Epoxy coated, sealed evaporator eliminates potential corrosion   |  |
| Factory pre-wired for dedicated outlet, 11 ft cord and plug included NEMA 5-15P                            |  |
| High efficiency compressor, side mount   |  |
| Interior rounded corners for easy cleaning   |  |
| NSF/ANSI Standard 7 compliant  |  |
| Self-lubricating, sealed cast iron evaporator fan motor with high volume airflow design                    |  |
| Temperature range: 28°F to 46°F  |  |

| Accessories     | Description  | Shipping Weight |
|-----------------|--|-----------------|
| ULA4082514      | (1) Stainless steel shelf guide for prep tables, 24"           | .88 lb          |
| ULAQ32-4666-ETL | (1) Epoxy coated wire shelf, 17 7/8" x 25 7/8" for prep tables | 2.2 lb          |
| ULAGN-1315      | (1) Stainless steel GN pan 1/3, 12 3/4" x 7" x 5 7/8"          | 1.67 lb         |
| ULAGNC-13       | (1) Stainless steel GN 1/3 pan lid for ULAGN-1315              | .77 lb          |
| ULAGN-1615      | (1) Stainless steel GN pan 1/6, 6 3/8" x 7" x 5 7/8"           | .88 lb          |
| ULAGNC-16       | (1) Stainless steel GN 1/6 pan lid for ULAGN-1615              | .77 lb          |
| ULAGN-2815      | (1) Stainless steel GN pan 2/8, 12 3/4" x 5 1/4" x 5 7/8"      | 1.3 lb          |
| ULAGNC-28       | (1) Stainless steel GN 2/8 pan lid for ULAGN-2815              | .77 lb          |

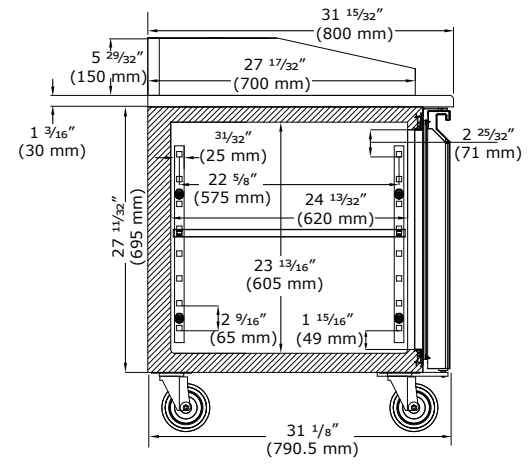


# Product Specifications • Refrigerated Pizza Prep Table

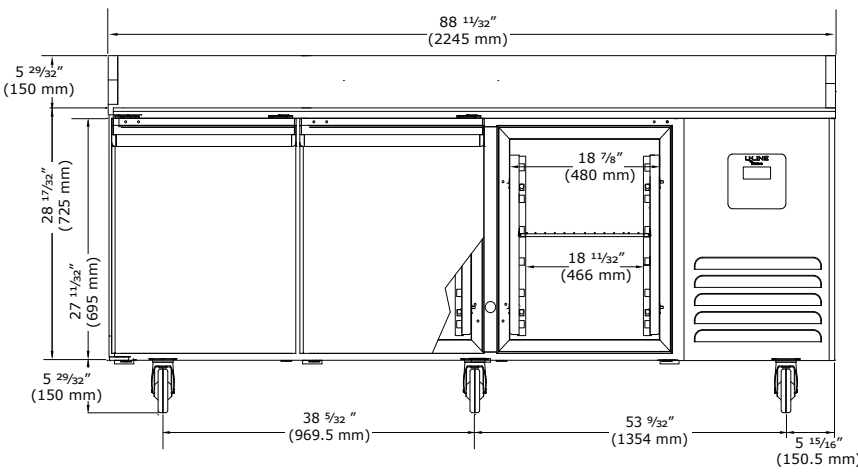
## Front (2 Door)



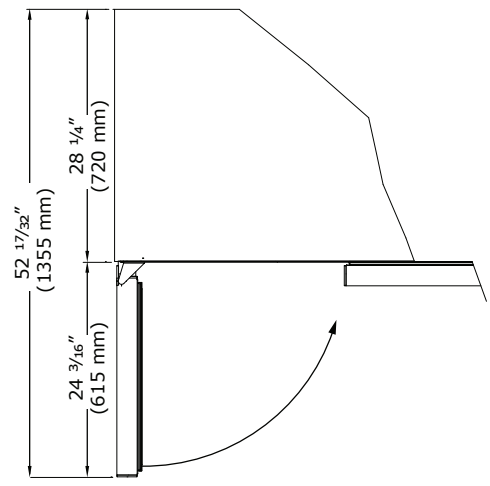
## Side



## Front (3 Door)



## Top



### Commercial Warranty

3 Year (parts & labor) / 5 year sealed system (parts)  
See complete warranty for details

