



GOLD MEDAL® PRODUCTS CO.

Discovery - Front Counter

Model No. 2563

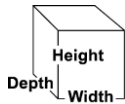
Specifications



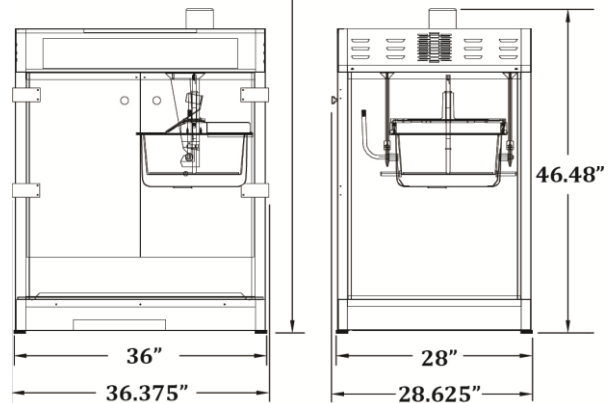
LED Lighted Sign on Customer Side



Operator Side View



49.75" Min. Clearance
Height for Airflow



Overall Dimensions:

Width: 36.375"

Depth: 28.625"

Height: 49.75" (min. clearance for airflow)

(See drawing above for additional dimensions.)

Electrical - Domestic

120/208 OR 120/240V

5760 WATTS 60 Hz

(NEMA L14-30P) Plug

Unit designed to operate on single phase, 30 AMP, 4 wire supply (2 Hot, 1 Neutral, 1 Ground). Wall receptacle is supplied with unit.

Features:

- 32 oz. Stainless Steel Kettle
- Electronic Temperature Control
- Stainless Steel Construction
- LED Lighted Sign
- Front Counter (sign on customer side)
- Oil Ready - unit is equipped with provisions for attaching an oil dispense unit (sold separately).

Plug Type:



NEMA L14-30P

Agency Approvals:



Gold Medal Products Co.
10700 Medallion Drive, Cincinnati, OH 45241

Ph: (513) 769-7676, (800) 543-0862; Fax: (513) 769-8500
gmpopcorn.com info@gmpopcorn.com