

## "HNS" WOOD TOP WORK TABLES

*w/Galvanized Base & Shelf - 1 3/4" Thick Top*

### FEATURES:

- 1-3/4" Thick Northern Hard Rock Maple Top
- Top Is Finished With Penetrating Oil With Optional Natural Clear Varnique Finish (Varnique Finish Voids NSF)
- Galvanized Base And Adjustable Undershelf
- Adjustable Bullet Feet
- Shipped Knocked-Down, Easy-To-Assemble

### SPECIFICATIONS:

- Top: Northern Hard Rock Maple
- Legs: 16GA Galvanized Steel
- Undershelf: 18GA Galvanized Steel (6' Tables Come With 16GA Galvanized Steel)
- Gussets: Galvanized Steel
- Feet: 1" Adjustable Galvanized Steel

### CERTIFICATIONS:



### ACCESSORIES

#### DESCRIPTION

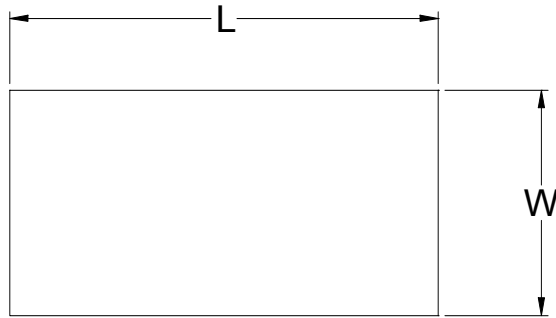
- Drawer
- Drawer Lock
- Casters
- Overshelves
- Pot Rack

### "HNS" WOOD TOP WORK TABLES

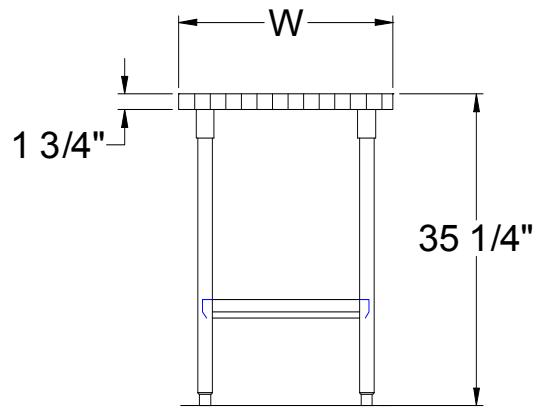
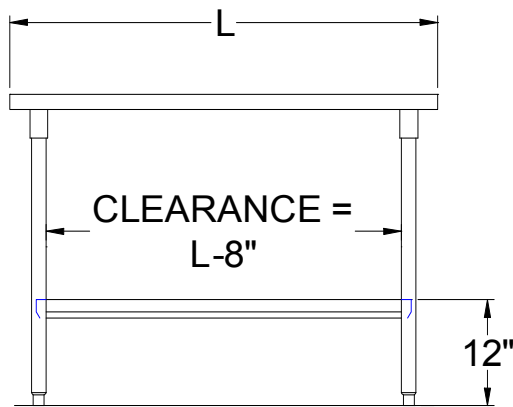
LENGTH	24" WIDE	WT (LBS)	30" WIDE	WT (LBS)	36" WIDE	WT (LBS)
36"	HNS01	84	HNS08	102	HNS15	118
48"	HNS02	106	HNS09	129	HNS16	151
60"	HNS03	129	HNS10	158	HNS17	185
72"	HNS04	157	HNS11	191	HNS18	226
84"	HNS05	184	HNS12	224	HNS19	271
96"	HNS06	206	HNS13	251	HNS20	297
108"	HNS06A	228	HNS13A	279	HNS20A	330
120"	HNS07	249	HNS14	306	HNS21	363

ALL DIMENSIONS ARE TYPICAL. TOLERANCE +/- .500". JOHN BOOS & CO. RESERVES THE RIGHT TO CHANGE SPECIFICATIONS WITHOUT NOTICE.

# DETAILED SPECIFICATIONS



Units 7 Ft. & Larger Are  
Furnished With Six Legs  
Shelf Length = Length Minus 4.875"  
Shelf Width = Width Minus 4.25"



## "HNS" WOOD TOP WORK TABLES

LENGTH	24" WIDE	WT (LBS)	30" WIDE	WT (LBS)	36" WIDE	WT (LBS)
36"	HNS01	84	HNS08	102	HNS15	118
48"	HNS02	106	HNS09	129	HNS16	151
60"	HNS03	129	HNS10	158	HNS17	185
72"	HNS04	157	HNS11	191	HNS18	226
84"	HNS05	184	HNS12	224	HNS19	271
96"	HNS06	206	HNS13	251	HNS20	297
108"	HNS06A	228	HNS13A	279	HNS20A	330
120"	HNS07	249	HNS14	306	HNS21	363

ALL DIMENSIONS ARE TYPICAL. TOLERANCE +/- .500". JOHN BOOS & CO. RESERVES THE RIGHT TO CHANGE SPECIFICATIONS WITHOUT NOTICE.