



**T&S BRASS AND BRONZE WORKS, INC.**  
 2 Saddleback Cove / P.O. Box 1088  
 Travelers Rest, SC 29690

Model No.  
**B-7102**

Item No.

Travelers Rest, SC: 800-476-4103 • Simi Valley, CA: 800-423-0150 • Fax: 864-834-3518 • www.tsbrass.com

This Space for Architect/Engineer Approval

Job Name \_\_\_\_\_ Date \_\_\_\_\_

Model Specified \_\_\_\_\_ Quantity \_\_\_\_\_

Customer/Wholesaler \_\_\_\_\_

Contractor \_\_\_\_\_

Architect/Engineer \_\_\_\_\_



Wall Mount,  
Hose Out

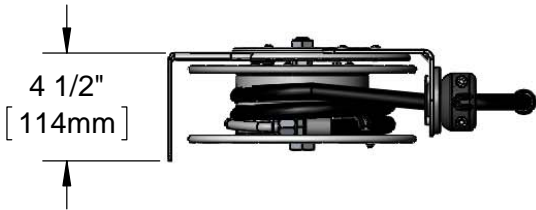


Under Counter,  
Hose Out

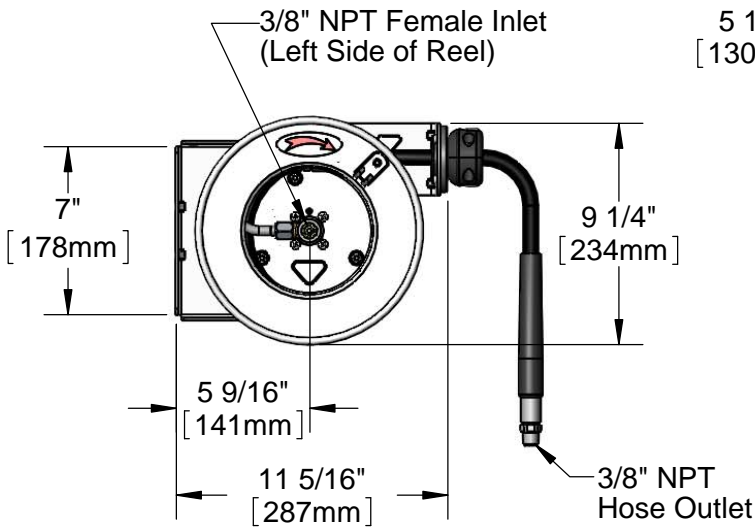


Wall Mount,  
Hose Down

or  
Under Counter,  
Hose Down  
(Default Configuration)

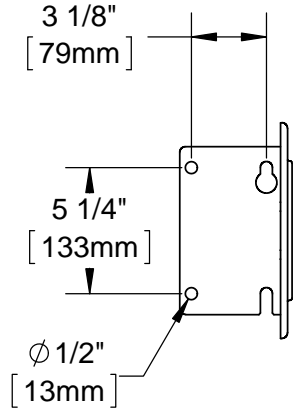
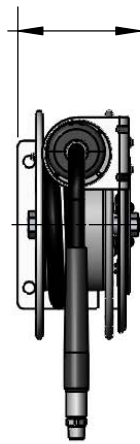


4 1/2"  
[114mm]



3/8" NPT Female Inlet  
(Left Side of Reel)

5 1/8"  
[130mm]



Mounting Hole  
Details

Product Specifications:  
 3/8" x 12 Ft. Open Stainless Steel Reel Less Spray Valve

Product Compliance:  
 NSF 61 Exempt (Non-Potable)



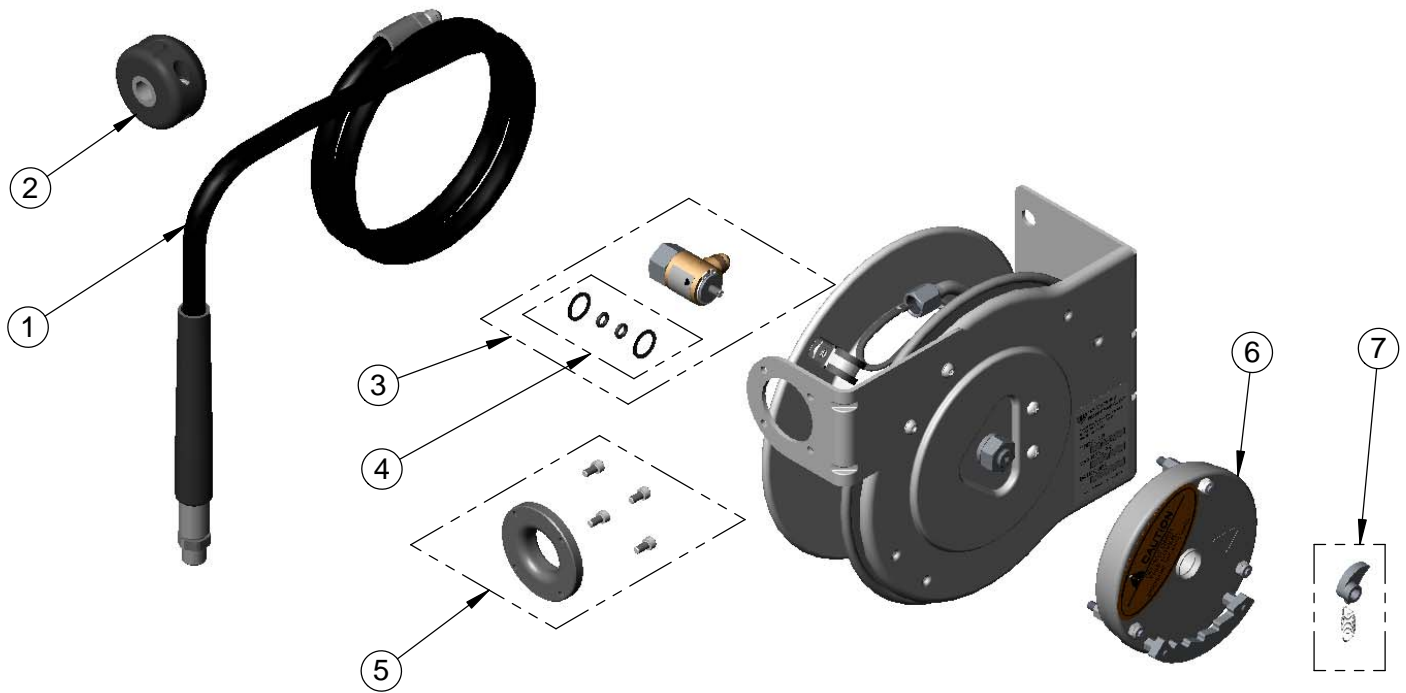
**T&S BRASS AND BRONZE WORKS, INC.**  
 2 Saddleback Cove / P.O. Box 1088  
 Travelers Rest, SC 29690

Model No.  
**B-7102**

Item No.

Travelers Rest, SC: 800-476-4103 • Simi Valley, CA: 800-423-0150 • Fax: 864-834-3518 • www.tsbrass.com

| ITEM NO. | SALES NO. | DESCRIPTION                        |
|----------|-----------|------------------------------------|
| 1        | 017938-45 | 3/8" x 12 Ft. Hose Replacement Kit |
| 2        | 019246-45 | Hose Stop Repair Kit               |
| 3        | 017355-45 | Swivel Repair Kit                  |
| 4        | 014948-45 | O-Ring Replacement Kit             |
| 5        | 017352-45 | Guide Bushing                      |
| 6        | 017362-45 | Spring Assembly                    |
| 7        | 017359-45 | Ratchet Lever Kit                  |



Product Specifications:  
 3/8" x 12 Ft. Open Stainless Steel Reel Less Spray Valve

Product Compliance:  
 NSF 61 Exempt (Non-Potable)