

# TITAN STAINLESS

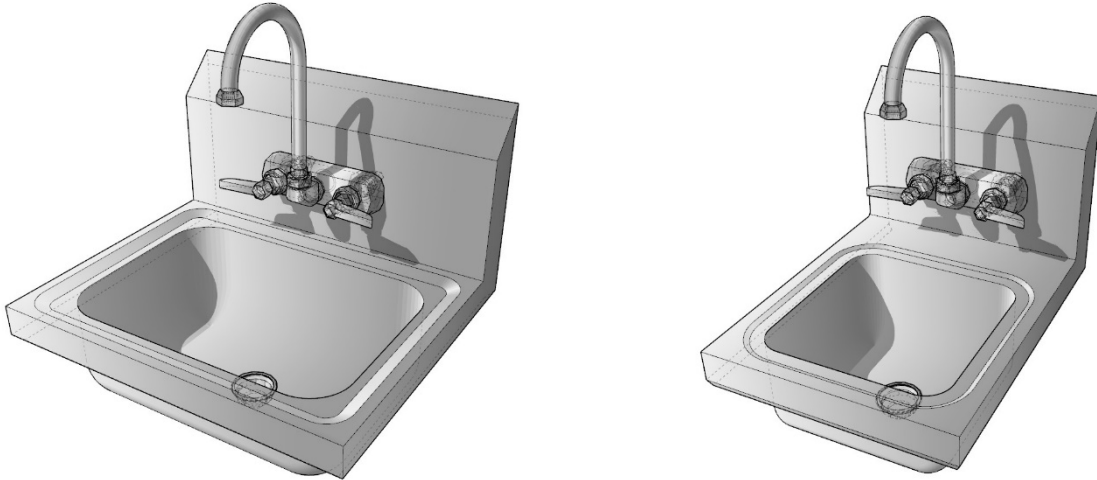
## CUSTOM FOODSERVICE FABRICATION

502 Usher Street Pageland, SC 704 243 8717 [www.titanstainless.com](http://www.titanstainless.com)



### HAND SINK / "MINI" HAND SINK

TITAN STAINLESS hand sinks are made using all-welded stainless steel construction. The backs of the sinks are formed into an 8" tall x 2" thick backsplash with angled top; all other edges feature a non-spill marine edge. Sink bowls are fully welded to the top and covered all around. 4" O.C. faucet holes are provided in the backsplash for the gooseneck faucet which is provided; a small drain with basket strainer is also provided. All welds are ground and polished to a smooth finish.



### MODEL NUMBER SELECTION / INFORMATION

Model #: QS-SHS-1 / QS-SHS-9

Hand sinks come in only two standard sizes, as listed directly above. The "-1" suffix designates the standard 10" x 14" sink bowl, which is the most common—the "-9" suffix designates the 9" x 9" or "mini" sink bowl configuration for areas where space is limited.

- See **AutoQuotes™** for full list of model numbers and pricing, along with all additional accessories
- Custom sizes and configurations are available upon request

