



14 GAUGE STAINLESS STEEL

# FLOOR MOUNTED SERVICE SINK WITH TUBULAR LEGS & CROSS BRACING KNEE OPERATED



Knee Valves  
Included On All  
"KV" Models

Item #: \_\_\_\_\_ Qty #: \_\_\_\_\_  
 Model #: \_\_\_\_\_  
 Project #: \_\_\_\_\_



**FEATURES:**

- 8 1/2" high backsplash.
- 8" sink bowl depth.
- One stainless steel "Z" bracket.
- One **K-6** 3 1/2" rear basket drain.
- Tubular stainless steel legs with flanged feet.
- Side & rear adjustable cross-bracing with leg clamps.
- Knee Operated:** Includes one **7-PS-32** knee valve and one **K-121** spout.

**CONSTRUCTION:**

- All TIG welded.
- Welded areas blended to match adjacent surfaces and to a satin finish.

**MATERIAL:**

All 14 gauge type "304" stainless steel.  
 1 5/8" tubular "304" stainless steel legs & cross-bracing.  
 Stainless steel gussets.

**MECHANICAL:**

Single faucet hole punched.

| Model #      | L   | W   | # of Spouts | Wt.     | Cu. Ft. |
|--------------|-----|-----|-------------|---------|---------|
| FS-FM-3119KV | 31" | 23" | 1           | 87 lbs. | 13      |

[Click Here For Install Guide](#)



## MULTI-STATION ACCESSORIES & REPLACEMENT PARTS

| Model          | Description                                                  | QTY:  |
|----------------|--------------------------------------------------------------|-------|
| <b>7-PS-32</b> | Knee Valve Assembly                                          | _____ |
| <b>K-6</b>     | 3 1/2" Drain (1 1/2" I.P.S.)                                 | _____ |
| <b>K-06</b>    | Splash Mount Faucet Mounting Kit                             | _____ |
| <b>K-13</b>    | Stainless Steel Soap Dispenser (Wall Mount Only)             | _____ |
| <b>K-121</b>   | Single Hole, Splash Mounted 3-1/2" Gooseneck Spout           | _____ |
| <b>K-410</b>   | Strainer Plate for 3-1/2" Drain                              | _____ |
| <b>K-508</b>   | Special Sizing Charge (Larger Size Cut Down To Smaller Size) | _____ |
| <b>TA-19</b>   | Adjustable Stainless Steel Flanged Bullet Foot               | _____ |



= Ships UPS

Standard Faucets conform to NSF 61 Standard 9 and compliance to AB 1953 Standards.

**WARNING:** Equipment that include faucets on this page may contain a chemical known to the State of California to cause cancer, birth defects or other reproductive harm.



Customer Service Available To Assist You **1-800-645-3166** 8:30 am - 7:00 pm E.S.T.

For Orders & Customer Service:  
 Email: [customer@advancetabco.com](mailto:customer@advancetabco.com) or Fax: 631-242-6900

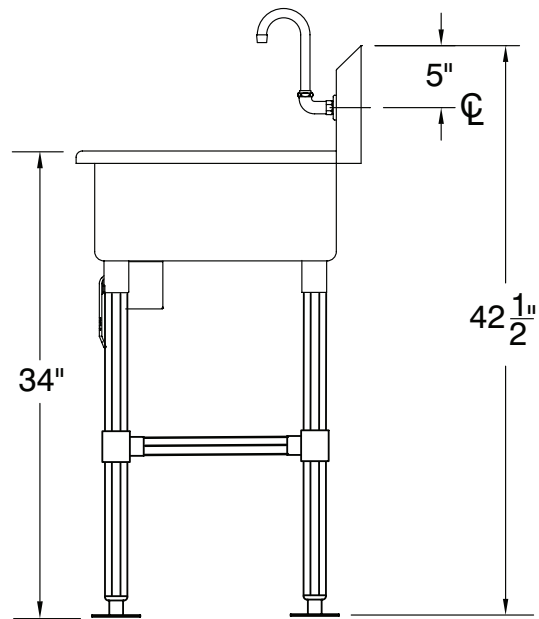
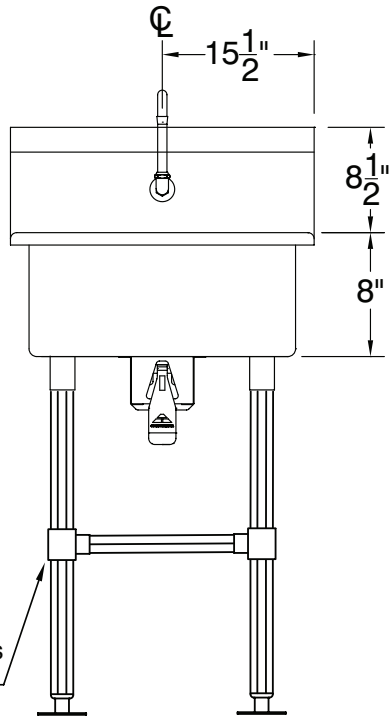
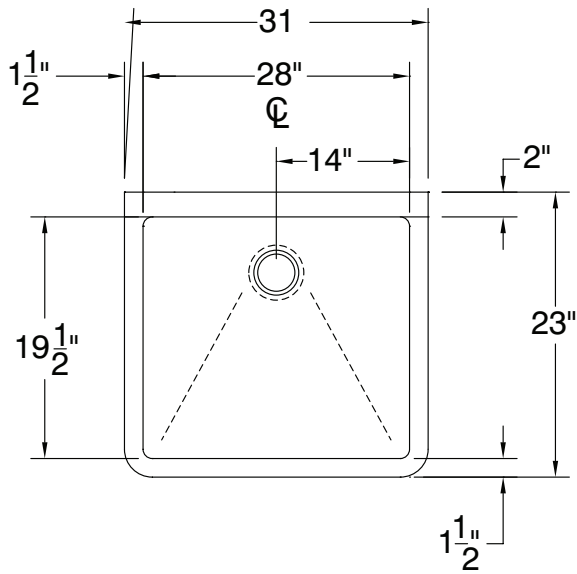
For Smart Fabrication™ Quotes:  
 Email: [smartfab@advancetabco.com](mailto:smartfab@advancetabco.com) or Fax: 631-586-2933

# DETAILS and SPECIFICATIONS

TOL ± .500"

ALL DIMENSIONS ARE TYPICAL

FS-FM-3119KV



Stainless Steel Rear & Sides  
Adjustable Cross-Bracing

79 Lbs.

