



**T&S BRASS AND BRONZE WORKS, INC.**  
 2 Saddleback Cove / P.O. Box 1088  
 Travelers Rest, SC 29690

Model No.  
**B-2265**

Item No.

Travelers Rest, SC: 800-476-4103 • Simi Valley, CA: 800-423-0150 • Fax: 864-834-3518 • www.tsbrass.com



**ADA Compliant**

This Space for Architect/Engineer Approval

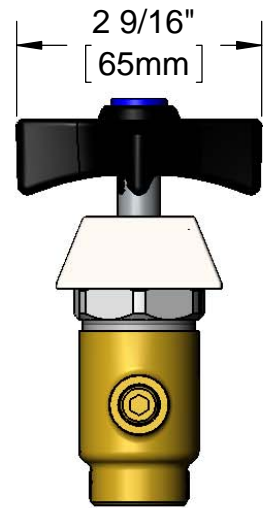
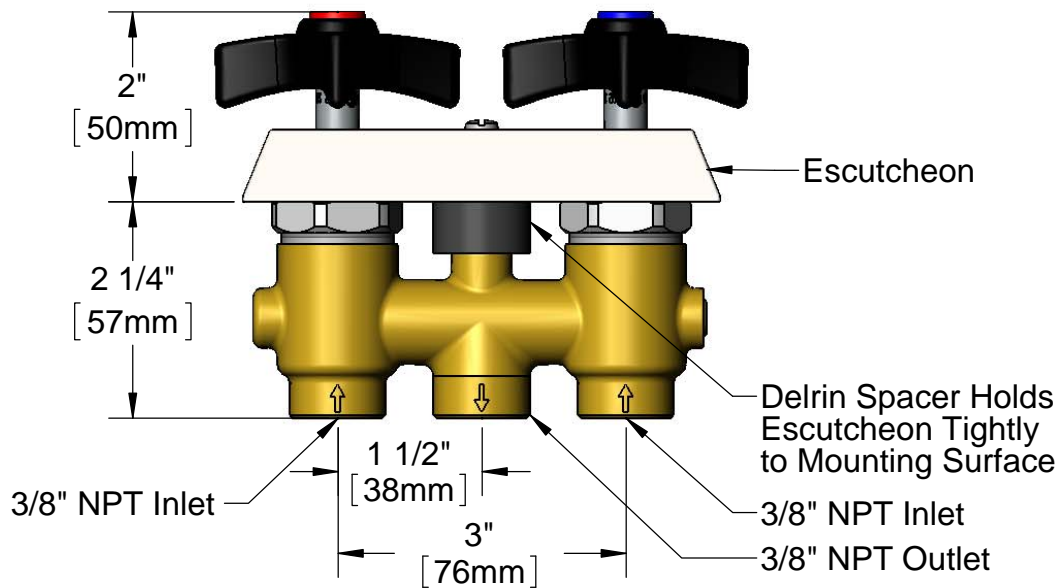
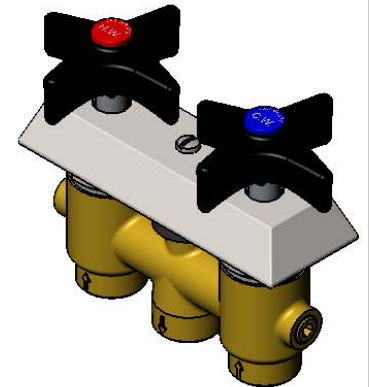
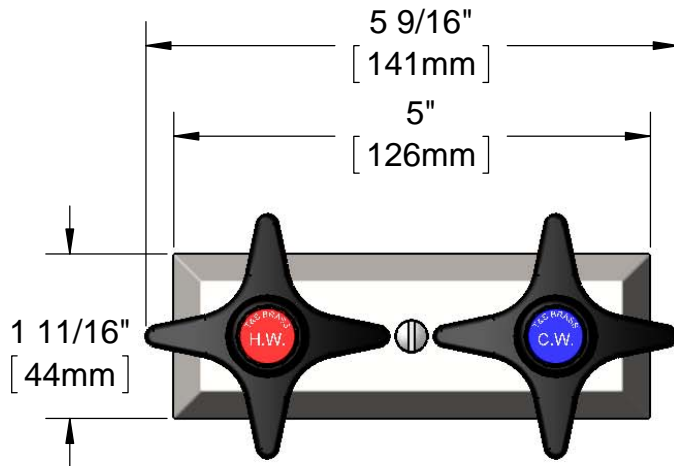
Job Name \_\_\_\_\_ Date \_\_\_\_\_

Model Specified \_\_\_\_\_ Quantity \_\_\_\_\_

Customer/Wholesaler \_\_\_\_\_

Contractor \_\_\_\_\_

Architect/Engineer \_\_\_\_\_



**Rough-In Requirement:**  
 (2)  $\varnothing$  1 9/16" [40mm] Faucet Mounting Holes  
 $\varnothing$  1/4" [6mm] Center Mounting Screw

**Product Specifications:**  
 Concealed Mixing Faucet w/ Black Polypropylene 4-Arm Handles

**Product Compliance:**  
 ASME A112.18.1 / CSA B125.1  
 NSF 61 - Section 9  
 NSF 372 (Low Lead Content)  
 ANSI A117.1 (ADA)



# T&S BRASS AND BRONZE WORKS, INC.

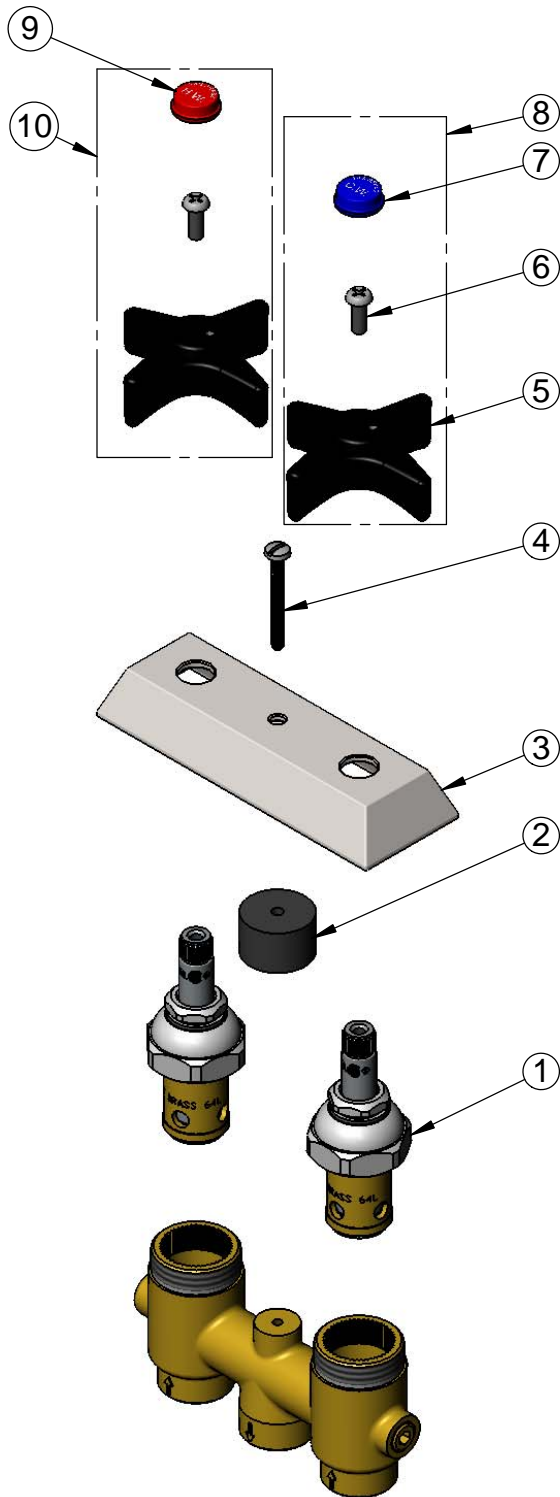
2 Saddleback Cove / P.O. Box 1088  
Travelers Rest, SC 29690

Model No.

**B-2265**

Item No.

Travelers Rest, SC: 800-476-4103 • Simi Valley, CA: 800-423-0150 • Fax: 864-834-3518 • www.tsbrass.com



ITEM NO.	SALES NO.	DESCRIPTION
1	006020-40	Eterna Cartridge, RTC
2	015986-45	Spacer
3	000020-40	Escutcheon
4	002819-45	Screw
5	193L	Black Polypropylene 4-Arm Handle
6	000925-45	Lab Handle Screw
7	001686-45	Blue Index - CW
8	193LC	Black Polypropylene 4-Arm Handle w/ Cold Index
9	001194-45	Red Index - HW
10	193LH	Black Polypropylene 4-Arm Handle w/ Hot Index

Product Specifications:  
Concealed Mixing Faucet w/ Black Polypropylene 4-Arm Handles

Product Compliance:  
ASME A112.18.1 / CSA B125.1  
NSF 61 - Section 9  
NSF 372 (Low Lead Content)  
ANSI A117.1 (ADA)