

Traveler™ Serving Tables

Mobile - Modular - Nesting

Models

160138 160139

Spec. # _____

AIA # _____

The Ideal Solution For Flexible Hospitality Service

- Durable construction - black powder coated steel frame with stainless steel top and undershelf
- Attractive front-of-house design eliminates the need for linen coverings
- Nesting set design provides space-saving storage
- Easy to clean and sanitize
- Use individually or combine various size tables for the ideal serving configuration
- Easily positioned with 3" swivel casters for flexible serving configurations
- Wide variety of top surfaces of stainless steel, laminate or Corian® resin solid surface available



Model 160138



Model 160139

Optional Laminate Top Finishes

			
<input type="checkbox"/> Walnut	<input type="checkbox"/> Gray Sand	<input type="checkbox"/> Light Maple	<input type="checkbox"/> Victorian Cherry
			
<input type="checkbox"/> Beige Suede	<input type="checkbox"/> Hard Rock Maple	<input type="checkbox"/> Red Maple	<input type="checkbox"/> Earth Wash
			
<input type="checkbox"/> Cotta Stone	<input type="checkbox"/> Indian Slate	<input type="checkbox"/> Sand Stone	<input type="checkbox"/> Sepia Mineral

Optional Solid Surface Top Finish

 Black Pearl

Other Laminate & Solid Surface Finishes Available

Lakeside Manufacturing, Inc.

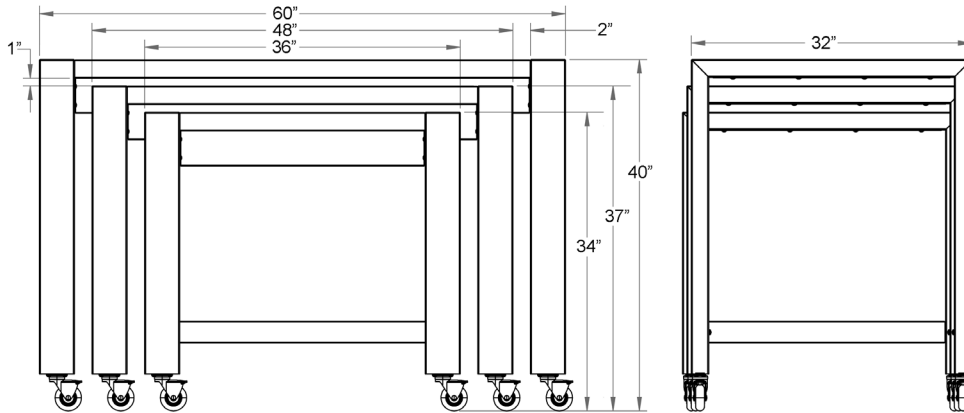
4900 West Electric Avenue • West Milwaukee, WI 53219 U.S.A.

800-558-8565 • 414-902-6400 • Fax 414-902-6446 • info@eLakeside.com • www.eLakesideFoodservice.com

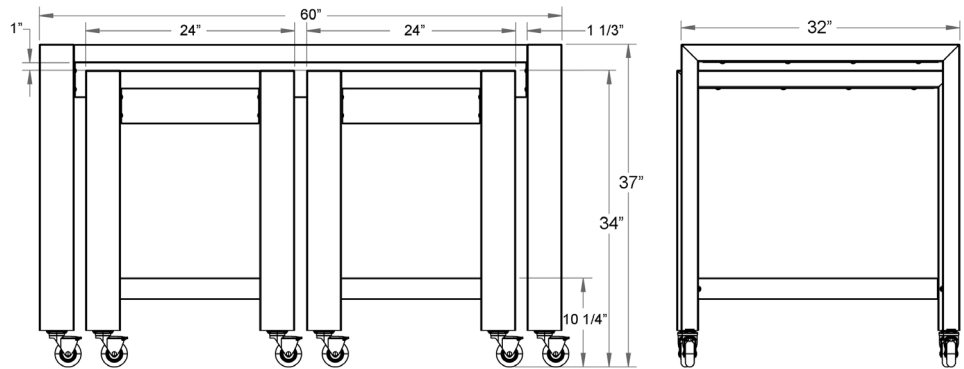
Models
160138
160139

Traveler™ Serving Tables

Mobile - Modular - Nesting



Model 160138



Model 160139

Model Information:

Model	Width	Nesting Set	Lower Shelf	Ship Weight
160138	Set Of 3 Tables 1-36", 1- 48", 1-60"	Yes	36" Table Only	475 lbs
160139	Set Of 3 Tables 2-24", 1-60"	Yes	24" Tables Only	445 lbs

Specifications

Lakeside Model 160____ is of welded and fastened construction. Leg frames are of 11-gauge steel with black powder coat resin finish. Top is 16-gauge stainless steel, reinforced front and back with with stainless steel tubing. Three-table set design allows storage nesting of smaller tables beneath 60" table. 36" table (Model 160138) and 24" tables (Model 160139) have 18-gauge stainless steel lower storage shelf. Casters are all-swivel with 3" diameter wheel and wheel lock.



Lakeside Manufacturing, Inc.
4900 West Electric Avenue • West Milwaukee, WI 53219 U.S.A.
800-558-8565 • 414-902-6400 • Fax 414-902-6446
info@eLakeside.com • www.eLakesideFoodservice.com

