

Blueair by BLUENIX

MODEL BLIB-300S

ICE BINS

Designed to prevent
water overflow and
increase ventilation.



Stainless steel cabinet construction

With blue bin door and trim.
Polyethylene bin liner for sanitary
storage.



Surfaces are designed for easy cleaning.

Simplifying Maintenance and
Hygiene.



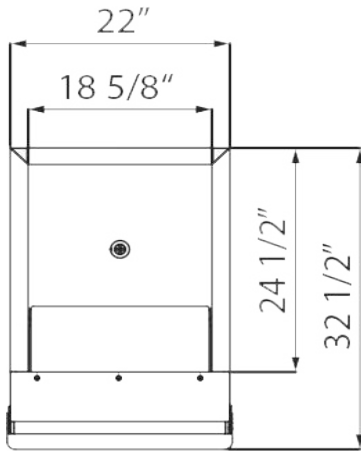
Designed for stacked ice machine.

Optimizing Ice Production and
Storage.

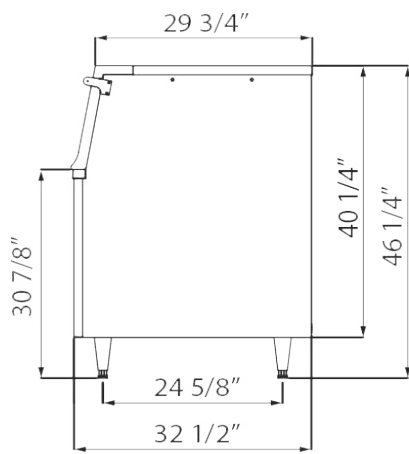
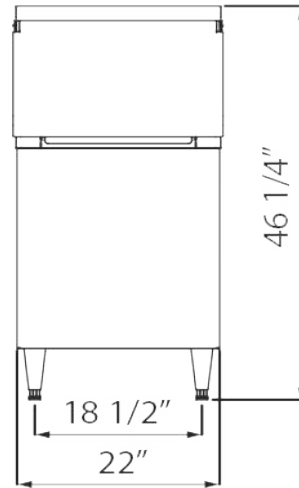
Standard Features

- Ice storage capacity of 320lbs.
- Foamed-in-place polyurethane insulation, in all bin walls and bottom, provides dependable ice storage.
- For BLIB-300S fits only BLMI-300A, BLMI-500A and BLMI-650A models.

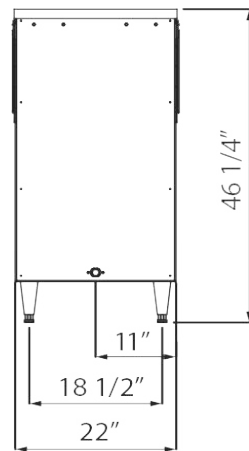
Top view



Front view



Side view



Back view

MODEL BLIB-300S

ICE BINS

Exterior Dimensions (inches)

| | | |
|-----|---------|---------|
| W | D | H |
| 22" | 32 1/2" | 46 1/4" |

Interior Dimensions (inches)

| | | |
|----------|---------|-----|
| W | D | H |
| 17 5/16" | 27 1/2" | 38" |

Cubic Volume (cu. ft. / liters)

10.9 cu. ft.
308 L.

Maximum Storage Capacity (lbs / kg)

320 lbs.
145 kg.

Shipping Weight (lbs/kg)

103 lbs
47 kg

| | BLMI-300A BLMI-500A (22" Width) | BLMI-500AD (30" Width) | BLMI-650A (22" Width) | BLMI-900A (30" Width) | BLMI-1400R previous (BLMI-1400R) (48" Width) |
|--------------------------|--|------------------------------|--|------------------------------|--|
| BLIB-300S (22" Width) | Adapter Not Needed | Combination Not Available | Adapter Not Needed | Combination Not Available | Combination Not Available |
| BLIB-500S (30" Width) | Need IMBK-8S (Enclosed in BLIB-500S for free) | Need IMBK-30R | Need IMBK-8S (Enclosed in BLIB-500S for free) | Adapter Not Needed | Combination Not Available |
| BLIB-950S (48" Width) | Need IMBK-8S + IMBK18S (Single Stack) Need IMBK-4M (Double Stack) | Combination Not Available | Need IMBK-8S + IMBK18S (Single Stack) Need IMBK-4M (Double Stack) | Need IMBK-18S | Adapter Not Needed |



blueairfse.com



orders@blueairfse.com



1.886.677.8500



223 W. Rosecrans Ave., CA 90248
T: 310.808.0102

9 W. Shelton Terrace #A, Hillside, NJ 07205
T: 908-688-0970