

Vertical Contact Toaster | VCT



VCT-2

For more than 25 years, the Vertical Contact Toaster has been a staple in foodservice operations, building a reputation for quality, performance, and reliability throughout the world. With space at a premium, the Vertical Contact Toaster has been repackaged into a compact design that frees up valuable space without compromising on quality or performance.

The new VCT-2 features the smallest footprint of our entire line of Vertical Contact Toasters—60% smaller than the standard unit. The individual heel and crown compression settings and digital controller ensure operators can quickly achieve the desired toast quality on a variety of different bread products.

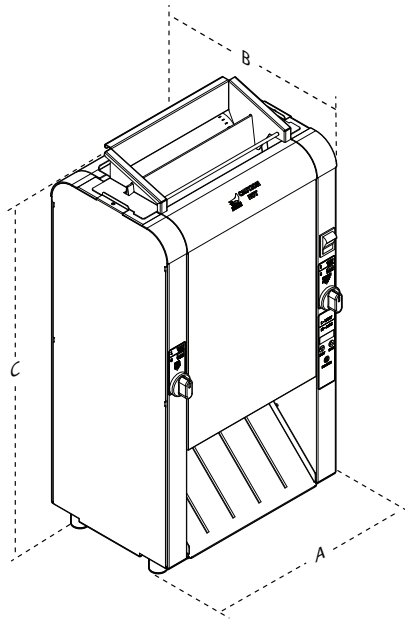
With its dual-sided platen, two toasting lanes, and fast 15-second toast time, the new VCT-2 can quickly serve fresh products to customers without making them wait. The end result is a toasted bun with a better taste and better finish for a hotter sandwich.

FEATURES

- Toasts two buns (heel and crown) simultaneously for increased capacity.
- Small footprint saves valuable countertop space.
- Toasts product in 15 seconds (± 2 seconds).
- Digital controller for adjusting toast settings for a variety of different bread products.
- Individual heel and crown compression to ensure desired toast quality.
- Easy maintenance.
- Vertical design for easy loading.
- Available with belt wraps to eliminate bun marking.

Vertical Contact Toaster | VCT

Dimensions



Model & Mfg. No.	Width (A)	Depth (B)	Height (C)
VCT-2 9210907 9210955	13" (330 mm)	10" (254 mm)	25 1/2" (648 mm)

Electrical Ratings and Plug Configuration

Model & Mfg. No.	Volts	Watts	Amps	Hertz	Plug Description
VCT-2 with belt wraps					
VCT-2 9210907	120	1800	15	50/60	NEMA 5-15P 120 Volt, 15 Amp. Non-Locking
VCT-2 without belt wraps					
VCT-2 9210955	120	1800	15	50/60	NEMA 5-15P 120 Volt, 15 Amp. Non-Locking

Bun Specifications

Feeder Opening	Crowns		Feeder Opening	Heels	
	Min.	Max.		Min.	Max.
1 3/4" (44 mm)	13/16" (21 mm)	1 1/8" (29 mm)	1 1/2" (38 mm)	9/16" (14 mm)	7/8" (22 mm)

Specifications

Toasting Time: 15 seconds (±2 seconds)

Temperature Control: Solid State with Display

Power Cord: Six-foot grounded power cord supplied

P/N 1020459 05/17