



**T&S BRASS AND BRONZE WORKS, INC.**  
 2 Saddleback Cove / P.O. Box 1088  
 Travelers Rest, SC 29690

Model No.  
**B-0355**

Item No.

Travelers Rest, SC: 800-476-4103 • Simi Valley, CA: 800-423-0150 • Fax: 864-834-3518 • www.tsbrass.com



**ADA Compliant**

This Space for Architect/Engineer Approval

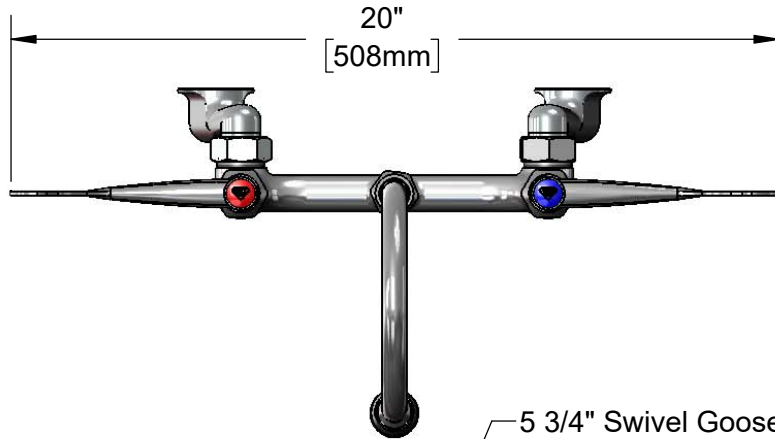
Job Name \_\_\_\_\_ Date \_\_\_\_\_

Model Specified \_\_\_\_\_ Quantity \_\_\_\_\_

Customer/Wholesaler \_\_\_\_\_

Contractor \_\_\_\_\_

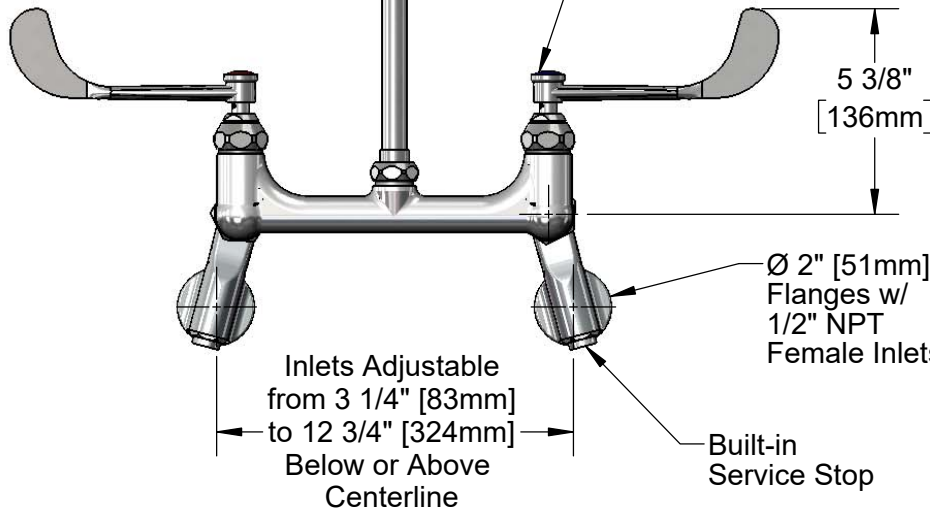
Architect/Engineer \_\_\_\_\_



20"  
[508mm]

5 3/4" Swivel Gooseneck w/  
B-0103-01  
Rosespray Outlet  
Converts to Rigid w/  
014200-45  
Lock Washer (Included).

Quarter-Turn Eterna  
Cartridges w/  
Spring Checks  
& 6" Wrist Action  
Handles w/ Color  
Coded Indexes



5 3/8"  
[136mm]

Ø 2" [51mm]  
Flanges w/  
1/2" NPT  
Female Inlets

Inlets Adjustable  
from 3 1/4" [83mm]  
to 12 3/4" [324mm]  
Below or Above  
Centerline

Built-in  
Service Stop



5 3/4"  
[146mm]

10 13/16"  
[274mm]

6 1/8"  
[156mm]

2 3/4"  
[70mm]

Mounting Surface

**Product Specifications:**

8" Wall Mount Mixing Faucet, Quarter-Turn Eterna Cartridges w/  
Spring Checks, 6" Wrist Action Handles, 5 3/4" Swive/Rigid Gooseneck w/  
Rosespray Outlet & 1/2" NPT Adjustable Arm w/ Female Inlets

**Product Compliance:**

ASME A112.18.1 / CSA B125.1  
 NSF 61 - Section 9  
 NSF 372 (Low Lead Content)  
 ANSI A117.1 (ADA)

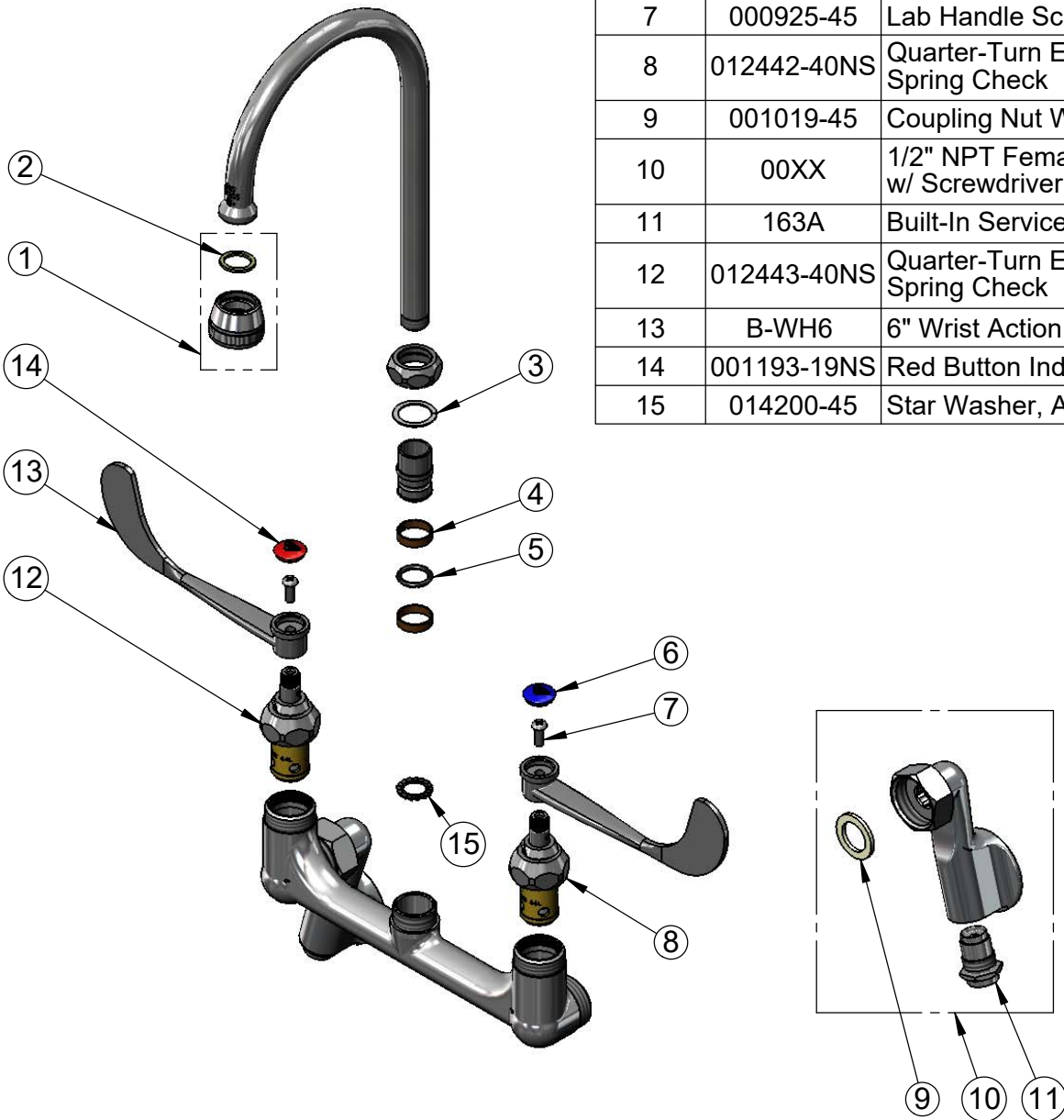


**T&S BRASS AND BRONZE WORKS, INC.**  
 2 Saddleback Cove / P.O. Box 1088  
 Travelers Rest, SC 29690

Model No.  
**B-0355**  
 Item No.

Travelers Rest, SC: 800-476-4103 • Simi Valley, CA: 800-423-0150 • Fax: 864-834-3518 • www.tsbrass.com

ITEM NO.	SALES NO.	DESCRIPTION
1	B-0103-01	Rosespray Outlet 55/64-27
2	001048-45	Nozzle Tip Washer
3	009538-45	Swivel Washer
4	011429-45	Swivel Sleeves (2)
5	001074-45	O-Ring
6	018506-19NS	Blue Button Index, Press-in
7	000925-45	Lab Handle Screw
8	012442-40NS	Quarter-Turn Eterna Cartridge, LTC w/ Spring Check
9	001019-45	Coupling Nut Washer
10	00XX	1/2" NPT Female Adjustment Arm Inlet w/ Screwdriver Stop
11	163A	Built-In Service Stop
12	012443-40NS	Quarter-Turn Eterna Cartridge, RTC w/ Spring Check
13	B-WH6	6" Wrist Action Handle
14	001193-19NS	Red Button Index, Press-in
15	014200-45	Star Washer, Anti-Rotation



**Product Specifications:**  
 8" Wall Mount Mixing Faucet, Quarter-Turn Eterna Cartridges w/ Spring Checks, 6" Wrist Action Handles, 5 3/4" Swive/Rigid Gooseneck w/ Rosespray Outlet & 1/2" NPT Adjustable Arm w/ Female Inlets

**Product Compliance:**  
 ASME A112.18.1 / CSA B125.1  
 NSF 61 - Section 9  
 NSF 372 (Low Lead Content)  
 ANSI A117.1 (ADA)