

Copper Beech Range

Gas Thermostatic Griddle



Model: CBTG-24



- CBTG-16 16" wide gas griddle
- CBTG-24 24" wide gas griddle
- CBTG-36 36" wide gas griddle
- CBTG-48 48" wide gas griddle
- CBTG-60 60" wide gas griddle

STANDARD FEATURES

- Stainless steel front w/ galvanized sides
- Steel U-shape burner (30,000 BTU/hr each)
- Controlled every 12 "
- 5/8" thick polished griddle plate
- Standby S/S pilot for easy start
- Adjustable heavy duty legs
- Grease through channel in the front
- Stainless steel oil collector in the bottom
- Stainless steel splash guard on 3 sides
- Durable brass control valve
- Easy access to pilot valve w/ adjustment screw
- Gas conversion kit included
- 3/4" NPT rear gas connection
- Shipped with gas regulator
- One year limited parts and labor warranty

INSTALLATION INSTRUCTIONS

1. A gas pressure regulator supplied with the unit must be installed. Natural Gas 4.0" (102 mm) W.C. Propane Gas 10.0" (254 mm) W.C.
2. An adequate ventilation system is required for commercial cooking equipment.
3. These units are manufactured for installation in accordance with National Fuel Gas Code, ANSI-Z223.1/NFPA #54 (latest edition).
4. This appliance is intended for commercial installation only and is not intended for home use.
5. Equipment clearance requirement:

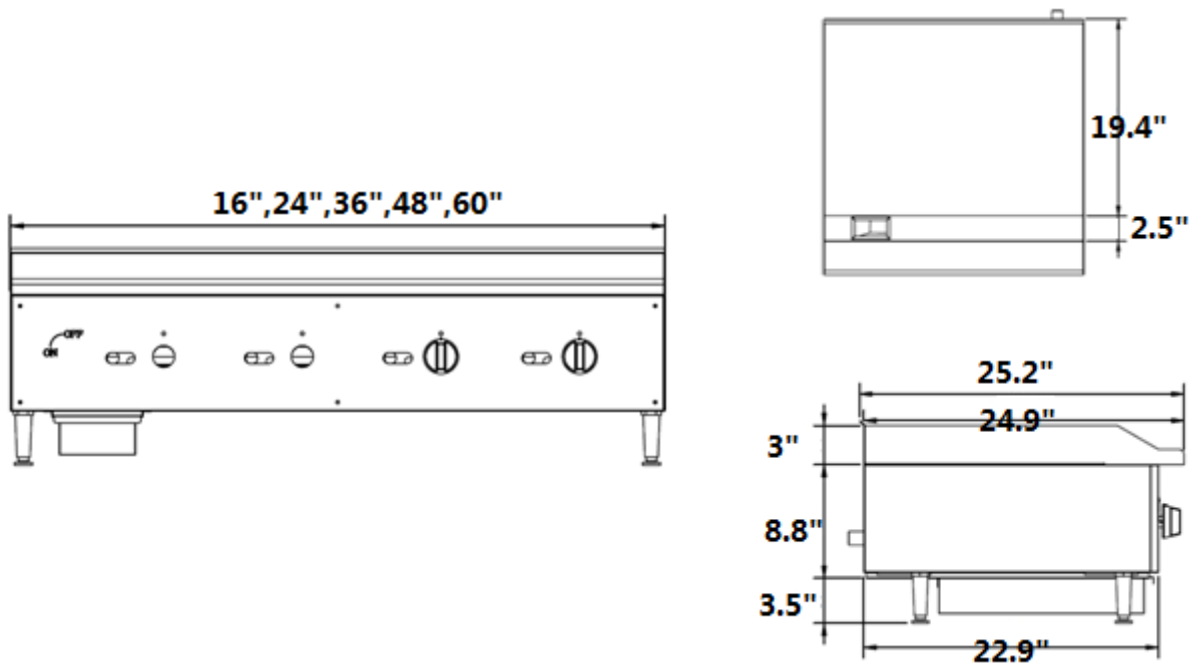
Non-Combustibles	Combustibles
Sides 0"	Sides 4"
Back 0"	Back 4"
6. All the installation must be performed by qualified technicians.
7. For gas conversion, please refer to conversion instructions in the Instruction Manual Book.



Copper Beech Range

Gas Thermostatic Griddle

INSTALLATION DRAWING



Model	Description	Plate size	Total BTU/HR	Packing Size(IN)	N/W (LB)	G/W (LB)
CBTG-16	Gas griddle	16"x19"	30,000	19x30x20	90	112
CBTG-24	Gas griddle	24"x19"	60,000	30x30x20	115	143
CBTG-36	Gas griddle	36"x19"	90,000	39x30x20	176	210
CBTG-48	Gas griddle	48"x19"	120,000	50x30x20	298	375
CBTG-60	Gas griddle	60"x19"	150,000	63x30x20	309	397

