

- **FB3S-2R** 37"L x 43"D x 51-3/4"H
- **FB4S-3R** 50"L x 43"D x 51-3/4"H
- **FB5S-4R** 63"L x 43"D x 51-3/4"H
- **FB6S-5R** 76"L x 43"D x 51-3/4"H

Included

- Blue Fin coated coil
- Condiment pan support rails
- Integrated average product temperature of 40°F or less
- NOTE: Pans not supplied with case.
- One year parts & labor warranty
- Rear wrapping board, white Sanalite®

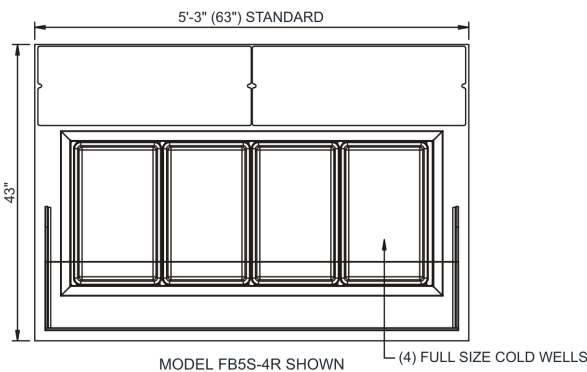
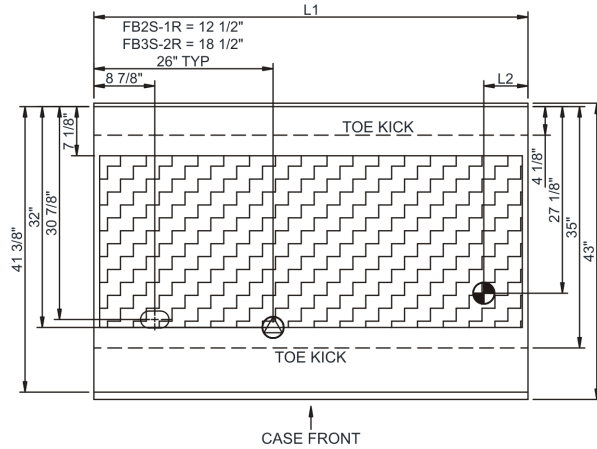


FB4S-3R

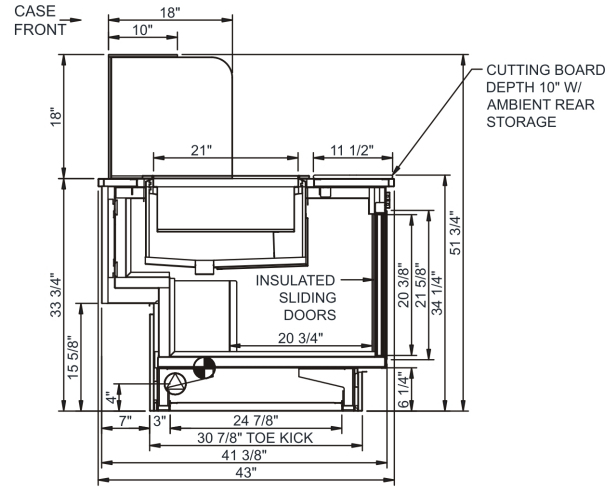
Specify	Standard Features	Additional Options
EXTERIOR COLOR	• Laminate (stock colors)	• Laminate (non-stock colors) • Powder coated (stock/non-stock colors) • Powder coated Silversan Black • Stainless steel
LOWER FRONT PANEL COLOR	• Powder coated Silversan Black	• Powder coated (stock/non-stock colors) • Stainless steel
LOWER FRONT PANEL HEIGHT	• 15-5/8" Lower front panel height	• 8-5/8" Lower front panel height
BASE SUPPORT	• Rail system for shims	
BUMPER FRONT	• None	• 1" Boston bumper (specify color) • 1" Stainless steel plate rail bumper
COUNTERTOP SURFACE	• Stainless steel	• 3 cm. Quartz
REAR STORAGE	• Non-refrigerated rear storage (w/o doors)	• Non-refrigerated rear storage w/ sliding doors • Refrigerated rear storage w/ sliding doors
SNEEZE GUARD	• Clear glass w/ stainless steel ADM posts	• Clear frameless glass (3" glass gaps case-to-case)
ELECTRICAL CONNECTION	• Electrical leads (remote)	
REFRIGERATION	• Remote DX refrigeration	• Note: Remote doesn't incl Conds unit. Floor drain reqd. • Remote w/thermostat, solenoid & TXV
SENSOR	• None	• CPC discharge air sensor (remote)
MISCELLANEOUS		• Second year parts & labor warranty

Intended Environment: Type I - Designed to operate in ambient conditions of 75°F with 55% relative humidity unless noted otherwise in system information below.		
Zone	Intended Product To Be Displayed	Warmest Avg Prod Temp ° F
1	Unpackaged refrigerated products	40

PLAN VIEW



SIDE VIEW



NOTE: ALL DIMENSIONS APPROXIMATE

- ELECTRICAL JUNCTION BOX (SUPPLIED WITH 6" LEADS OR POWER CORD).
- REMOTE FLOOR SINK & UTILITIES ACCESS AREA.
- LOCATION OF DRAIN TUBE FOR REMOTE REF. ONLY (SUPPLIED WITH 3/4" OR 1 1/2" PVC TUBE).
- SELF-CONTAINED CASE SERVICE ACCESS AREA.
- REFRIGERATION LINE CONNECTION.
- DRY CASE SERVICE ACCESS AREA.

Model Technical Specifications

Model	L"	L1"	L2"	System	Circuit	Volts	Phs	Freq	Amps ***	Watts	Wires	NEMA Plug	SST	Conv. Rack BTUH	Para. Rack BTUH	Est Wt
FB3S-2R	N/A	37.00	6.38	Remote (DX)	Circuit #1	110-120	1	60	1.06	104	2+G	Leads Multiple	20.00	1123	1040	600
FB4S-3R	N/A	50.00	6.38	Remote (DX)	Circuit #1	110-120	1	60	1.17	117	2+G	Leads Multiple	20.00	1296	1200	750
FB5S-4R	N/A	63.00	6.38	Remote (DX)	Circuit #1	110-120	1	60	1.27	128	2+G	Leads Multiple	20.00	1469	1360	900
FB6S-5R	N/A	76.00	6.38	Remote (DX)	Circuit #1	110-120	1	60	1.36	140	2+G	Leads Multiple	20.00	1642	1520	1,100
				Remote (R744 TRANSCRIT)	Circuit #1	110-120	1	60	1.36	140	2+G	Leads Multiple		1642	1520	

*** Does not include electric defrost on freezer models.

Regulatory Approvals:

All Models
 Accordance with AHRI Std 1200
 ETL Listed to UL 471
 ETL Listed to CAN/CSA 22.2 No. 120
 ETL Sanitation to NSF/ANSI 7



In Accordance with
AHRI Std 1200

DOE 2017
 Energy Efficiency
 Compliant

Important Notes:

- ELECTRICAL NOTE:** If GFCI is required, a GFCI breaker MUST be used in lieu of a GFCI receptacle
- ⚠ WARNING:** This product can expose you to chemicals, including Urethane (Ethyl Carbamate), which are known to the State of California to cause cancer and birth defects or other reproductive harm. For more information go to www.P65Warnings.ca.gov.