



Project _____
 AIA # _____ SIS # _____
 Item # _____ Quantity _____ C.S.I. Section 114000



OV320E

Mini Rotating Rack Convection Oven – Electric



Shown with optional 12 pan stand



SPECIFIER STATEMENT

The oven shall be of stainless steel construction, manufactured in the United States by Baxter Mfg. The unit footprint shall be no wider than 48.0" and shall be capable of fitting through a standard 36" doorway. The The Smart Touch™ programmable digital control panel with touch screen shall have 99 programmable settings with auto on/off feature and 6-step bake/roast setting. As a standard feature, the oven shall incorporate "sleep" settings to save energy when not in use.

The heating system shall be designed with a nominal power rating of 18.0KW and shall utilize a bank of 6 tubular incoloy®-sheathed elements. Elements shall be sized to maximize life and shall be individually removable for ease of service. The oven shall have an interior carrier that rotates while in operation to ensure even baking. The interior carrier shall be easily removable for cleaning and routine maintenance, no tools required.

The oven will bear the following agency approvals: UL for safety and sanitation for the U.S., Canada, and Commonwealth of MA. The oven shall be certified for zero clearance to walls from UL.

The oven shall be offered with several different base options to ensure a combination best suited to site, production and operator's needs.

STANDARD FEATURES

- + Rotating interior rack
 - 8 pan, end load with 4.0" slide spacing
- + Interior rack is easily removable for cleaning and routine maintenance
 - Patented removable rack bottom for spot cleaning bake chamber floor
- + Self-contained patented steam system
- + Smart Touch™ programmable digital control with touch screen
- + Easy to open independent doors
- + Large dual-pane viewing window in each door
- + Space saving 48.0"w x 38.1"d footprint
- + Stainless steel construction
- + Cable restraint kit
- + Shipped assembled

OPTIONS & ACCESSORIES

- Removable interior rack, one included with oven, use accessory code to order additional racks:
 - 310RCK-6EL:** 6-pan capacity with 5.3" slide spacing, end load
 - 310RCK-6STP:** 6-pan capacity with 5.3" spacing and stepped slides, end load
 - 310RCK-8EL:** 8-pan capacity with 4.0" slide spacing, end load
 - 310RCK-8STP:** 8-pan capacity with 4.0" spacing and stepped slides, end load
 - 310RCK-12EL:** 12-pan capacity with 2.8" slide spacing, end load
- Vent guard package – adds 2" to overall width
- MB300:** 34"h proofing cabinet base
- STAND:** 27"h stand base with 12 pan capacity
- Slide bridge kit allows oven to accommodate pans smaller than 18" x 26"

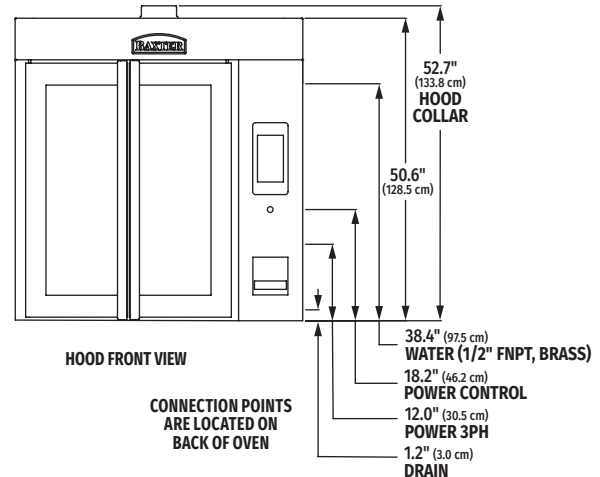
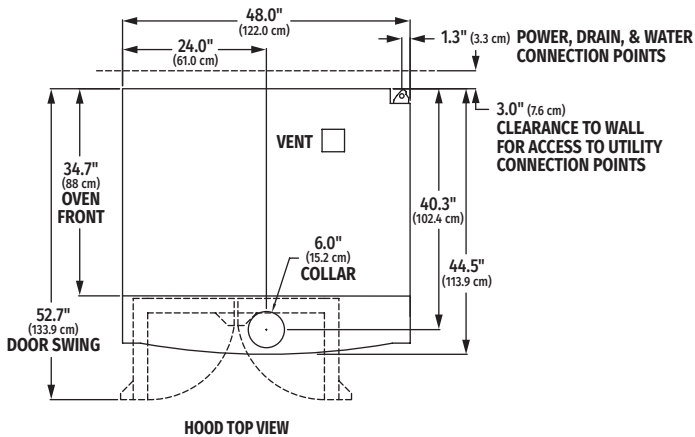
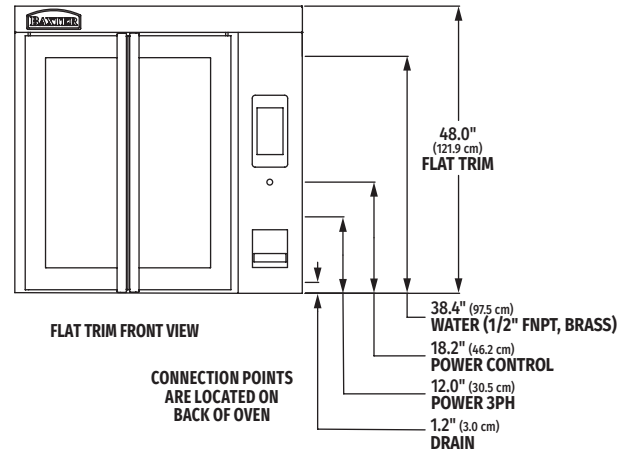
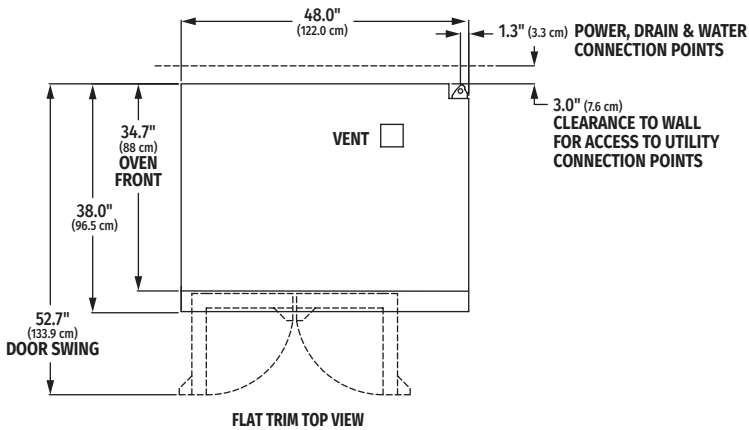
Note: Capacities based on a standard 18" x 26" pan

OV320E MINI ROTATING RACK CONVECTION OVEN – ELECTRIC

Approved by _____ Date _____ Approved by _____ Date _____



OV320E Mini Rotating Rack Convection Oven – Electric



Shipping Weight: 765 lbs. (347kg) **Rack Swing Diameter:** 31.5" (80cm) **Maximum Door Swing:** 115° (right)/180° (left)

UTILITIES

Water Connect Point: ½" FNPT. Cold water @ 30-75 psi. minimum @ 1.5 G.P.M. flow rate. 3.0 G.P.H. maximum water usage.

Note: Water supply must have the proper hardness, pH & chloride concentration. Consult your local water company and/or water conditioner dealer before installation.

- **Recommended hardness range:** 2-4 grains per gallon.
- **Recommended pH range:** 7.0-8.0.
- **Acceptable range for chloride concentration:** 0-30 ppm.

Drain Fitting: ½" MNPT. Route to air-gap drain.

Vent: Oven may need to be installed under a Type I (grease) or Type II (vapor) exhaust hood. Consult local code.

Integrated Canopy Vent: Type II (Vapor) only. 6" diameter collar. 400 CFM. Ducting and fan to be provided by others.

Power - 2 supplies required:

1. Heating Circuit - Choose one:

- 208V/60/3/50A 18.0kW
- 240V/60/3/43A 18.0kW
- 480V/60/3/22A 18.0kW

2. Control Circuit:

120V/60/1 15 amp dedicated circuit. 8' cord and NEMA 5-15P Plug supplied.

- **Oven Control:** 4.4 amps
- **Exhaust Fan Connect Point:** 5.0 amps maximum
Contact factory for 50Hz.

INSTALLATION

The mini-rack oven is shipped assembled for easy installation. All components are factory tested before shipment. This oven must be installed so that the top of the oven is located above 6' AFF.

The purchaser is responsible for proper installation, including all utility connections. In order to validate the warranty, the start-up must be performed by an Authorized Baxter Servicer.

The OV310 unit will fit through a standard 36" doorway with doors, control panel and trim package removed.

UL Listed for use only on level, noncombustible floor/surface. Access to right side needed (24" minimum) for service access. A vent guard is required if the right side of the oven is within 30" of a radiant heat or grease vapor source.