

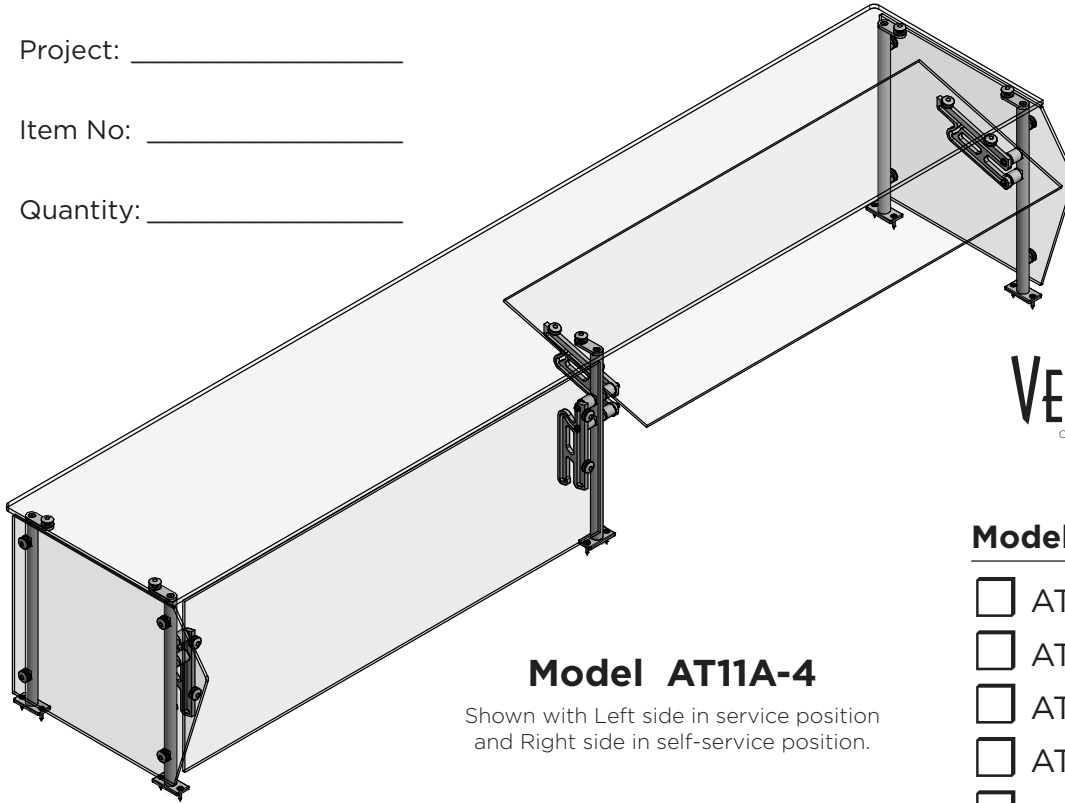
AT SERIES Food Shields

Model AT11A 2-Position Convertible Food Shield

Project: _____

Item No: _____

Quantity: _____



VERSA-GARD®
Copyright © Versa-Gard, 2021



Model AT11A-4

Shown with Left side in service position
and Right side in self-service position.

Model	OA length (L1)
<input type="checkbox"/> AT11A-2	35 ¼"
<input type="checkbox"/> AT11A-3	49"
<input type="checkbox"/> AT11A-4	62 ¾" *
<input type="checkbox"/> AT11A-5	76 ½" *
<input type="checkbox"/> AT11A-6	90 ¼" *
<input type="checkbox"/> Custom	_____

* Requires center support post.
Max span between supports is 51 ¾".

DESCRIPTION

Two-position convertible food protector for full-service or self-service applications.

Narrow profile end panels can flip 180° to be positioned out of the way when put in service position.

Clear tempered glass panels that meet or exceed ANSI Z97.1 standards.

1"Ø CNC machined solid supports

Wide range of finish options available.

Exceptional construction – all components CNC machined in the USA for years of service.

Modular design and machined componentry allows for changes or additions at a later date.

Produced, finished and assembled in the USA.

Finish:

- Satin Clear Anodized Aluminum
- Black Matte Powder Coat
- Silver Powder Coat
- Brushed Stainless Steel
- _____

End Panels: (from customer side)

- Left
- Right



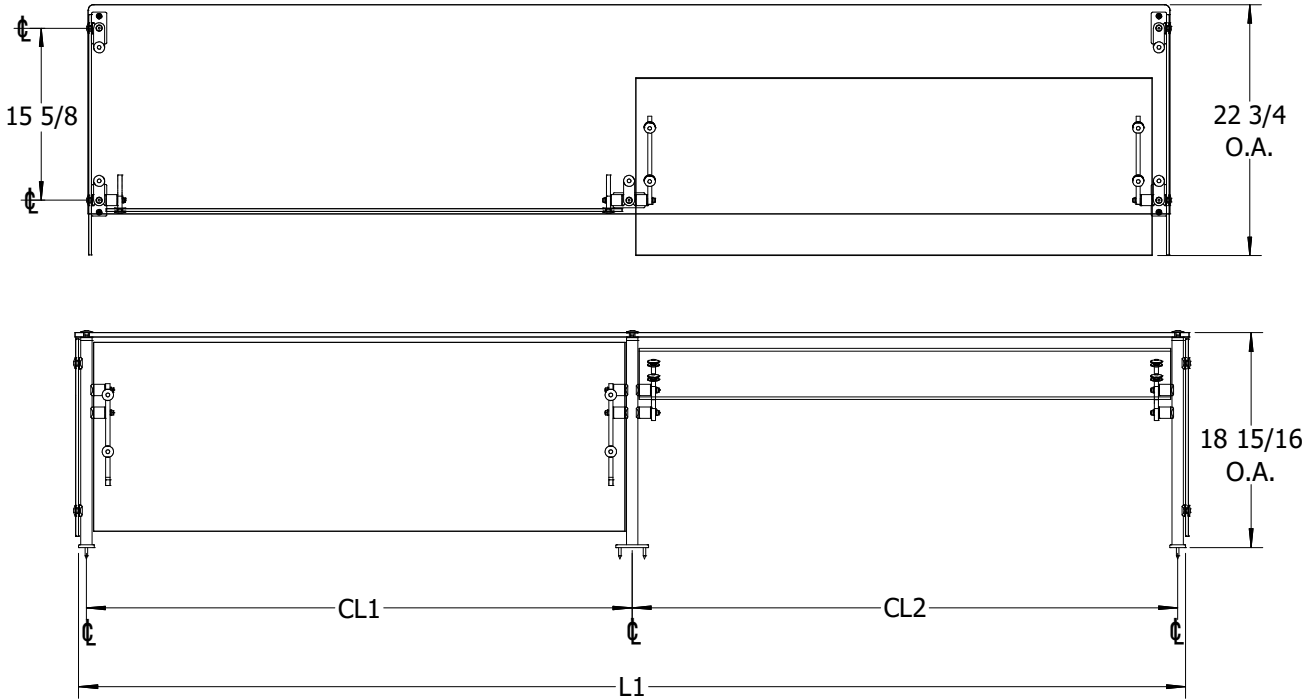
ATLAS METAL
atlasfoodserv.com

a subsidiary of Mercury Aircraft

1135 NW 159 Dr., Miami, Florida 33169

Tel: (305) 625-2451 or (800) 762-7565 • Fax: (305) 623-0475
atlasfoodserv.com • sales@atlasfoodserv.com

Model AT11A - 2-Position Convertible Food Shield

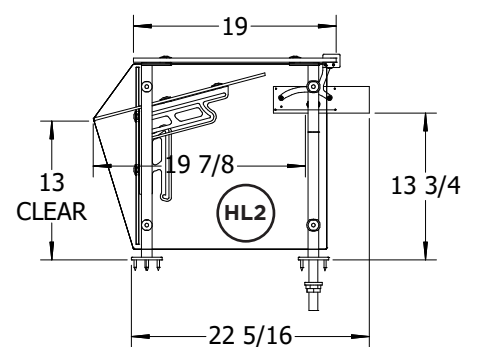
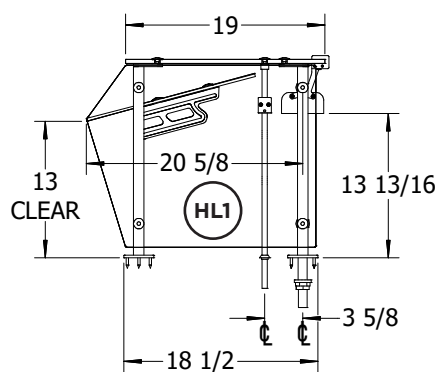
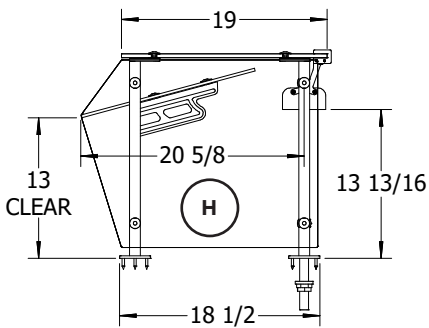
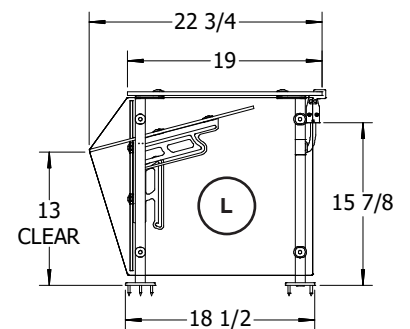
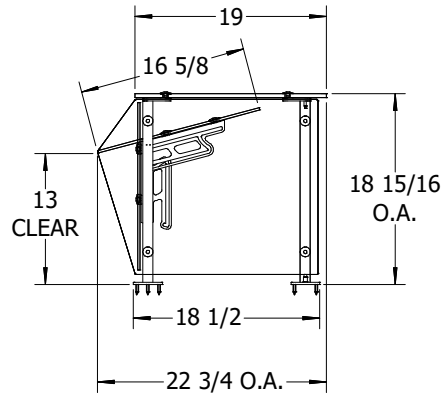


Left side
in service
position and
Right side in
self-service
position.

Accessories

- **L** 12V LED Light
- **H** Hatco GRNH Narrow Food Warmer
- **HL1** Hatco GRNH Narrow Food Warmer with 12V LED Light
- **HL2** Hatco GRAHL Food Warmer with Incandescent Light

END VIEWS with Accessories



rev 10/2021



ATLAS METAL
atlasfoodserv.com

a subsidiary of Mercury Aircraft

1135 NW 159 Dr., Miami, Florida 33169

Tel: (305) 625-2451 or (800) 762-7565 • Fax: (305) 623-0475
atlasfoodserv.com • sales@atlasfoodserv.com