

## GR Series - Hinged Glass Doors Top Mount Refrigerators - 83"H



Model No.	Description	Length	Depth	Height w/casters	Voltage	Amps	HP	Power Cord	Est. Ship Weight
<b>Refrigerators</b>									
<b>GR22</b>	One Door	26.50"	35.031"*	83"	115	10.2	1/3	5-15P	330
<b>GR48</b>	Two Door	52.25"	35.031"*	83"	115	11.0	1/3	5-15P	520
<b>GR75</b>	Three Door	78.00"	35.031"*	83"	115	13.8	1/2	5-20P	720
<b>GR102</b>	Four Door	103.75"	35.031"*	83"	115/208-230	6.4/7.1	3/4	L14-20P	980

\*Handle adds 1.38" to depth

MODEL NUMBER PREFIX - SC = Self-contained R = Remote  
 MODEL NUMBER SUFFIX - W = White B = Black S = Stainless Steel LED = LED - lighting  
 • Cases are designed to operate at 75 degrees Fahrenheit and 55% relative humidity  
 • Cases are equipped with drains; check your local building codes for connection requirements.  
 • Specification subject to change without notice  
 IF COLORS ARE MIXED AN ADDITIONAL CHARGE WILL APPLY



## GR Series - Hinged Glass Doors Top Mount Refrigerators - 83"H

### Standard Specifications and Optional Features

#### CONSTRUCTION

- UL - Classified to ANSI/NSF 7
- Heavy Duty Construction
- Foamed in place CFC free foam
- Removable front grille for easy servicing
- 1, 2, 3, or 4 door models available
- Heavy duty edge mounted hinges

#### INTERIOR

- White aluminum ends and rear (optional black and stainless steel)
- White aluminum floors (optional black and stainless steel)
- Aluminum evaporator fan housing
- 4 Heavy duty epoxy coated shelves per door

#### EXTERIOR

- White aluminum ends and front (optional black and stainless steel)
- Triple pane glass doors 23-3/4" x 62-1/4"
- Doors - chrome finish ( white and stainless steel)
- Doors - black finish ( black)
- 5" Casters

#### LIGHTING

- Vertical LED light strips - standard
- 1 Dr = 2 LED light strips = 2 Lamps
- 2 Dr = 3 LED light strips = 4 Lamps
- 3 Dr = 4 LED light strips = 6 Lamps
- 4 Dr = 5 LED light strips = 8 Lamps

#### OPTIONAL FEATURES

- Door swing change
- Digital thermometer
- Extra shelf with clips
- Cantilever shelves
- Door locks
- Stainless steel, laminated or paint
- 6" Legs

#### ELECTRICAL REQUIREMENTS

- 10' Cord and plug see technical data
- UL/CUL listed
- 1, 2, 3 door units, 115V
- 4 door unit, 115V/208-230V

#### REFRIGERATION

- Top mounted condensing unit
- SC - R513A refrigeration
- R - R448A refrigeration
- 1, 2, 3 Door units Capillary tube
- 4 Door unit Expansion valve
- Electronically controlled with audio alarm
- Automatic defrost
- Remote available
- ECM Motors

#### **Important Note:**

**All refrigerated cases are designed to operate in an environment of 75 degrees and 55% relative humidity. Product must be cooled before being displayed within the case**

**Drain Connection is required for this model.**

## GR Series - Hinged Glass Doors Top Mount Refrigerators - 83"H

### Technical Data/Refrigerators

Model No. REFRIGERATORS	SC R	GR22 R-GR22	GR48 R-GR48	GR75 R-GR75	GR102 R-GR102
Length		26.50"	52.25"	78.00"	103.75"
Height w/ casters		83.00"	83.00"	83.00"	83.00"
Depth without handle		35.031"	35.031"	35.031"	35.031"
(Dimensions are +/- 1/4") Operating temperature		35°F to 39°F	35°F to 39°F	35°F to 39°F	35°F to 39°F
Refrigerant	SC	R513A	R513A	R513A	R513A
Remote Expansion Valve	R	R448A	R448A	R448A	R448A
System type		Capillary tube	Capillary tube	Capillary tube	Expansion valve
Compressor size HP	SC	1/3	1/3	1/2	3/4
Refrigeration system		Electronic controlled	Electronic controlled	Electronic controlled	Electronic controlled
Defrost per day (24 hours)	Air Defrost	Electronic controlled	Electronic controlled	Electronic controlled	Electronic controlled
Defrost per day	R.	1 per day	1 per day	1 per day	1 per day
BTU's at +20°F Evap. Temp.	R	1300	1900	2600	3000
Voltage	SC	115	115	115	115/208-230
Amperage	SC	10.2	11.0	13.8	6.4/7.1
Voltage	R	115	115	115	115
Amperage, lights, fans	R	2.6	3.4	4.1	6.4
Cord and plug	SC R	5-15P NO	5-15P NO	5-20P NO	L14-20P NO
Exterior color		W, B, S	W, B, S	W, B, S	W, B, S
Interior color		W, B, S	W, B, S	W, B, S	W, B, S
Door size		23.75" x 62.25"	23.75" x 62.25"	23.75" x 62.25"	23.75" x 62.25"
Total shelves		4	8	12	16
Shelf size		(4) 21.175" x 22.500"	(8) 22.75" x 23.00"	(8) 22.75" x 23.00" (4) 25.00" x 23.00"	(8) 22.75" x 23.00" (8) 25.00" x 23.00"
Cubic capacity		22	48	75	102
Shipping Info					
Height		86"	86"	86"	86"
Depth		44"	44"	44"	44"
Length		31"	58"	84"	109"
Gross weight SC/R		330/215	520/405	720/595	980/830
Cubic feet		68	127	184	228

**(ALL WHITE OR ALL BLACK, NO EXTRA CHARGE—IF COLORS ARE MIXED AN ADDITIONAL CHARGE WILL APPLY)**

**Prefix**

SC = Self-contained  
R = Remote

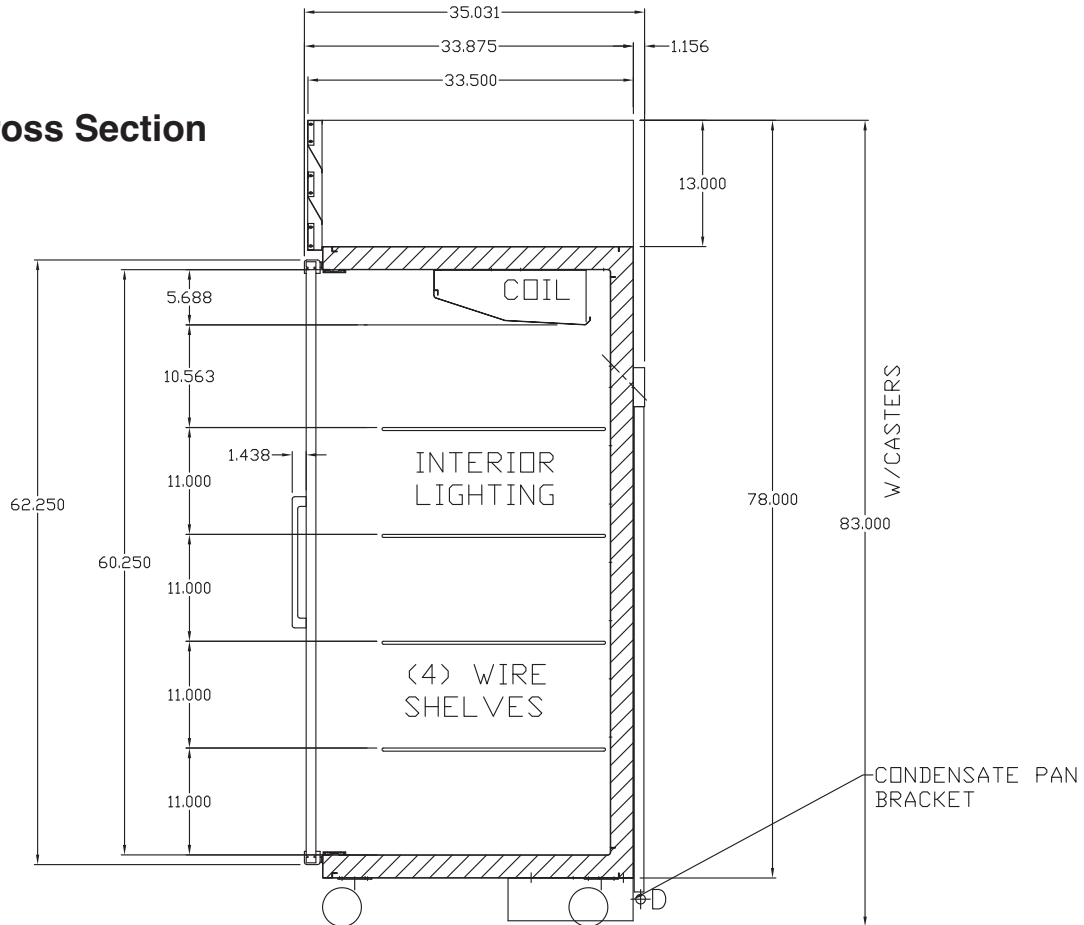
**Suffix**

B = Black  
W = White  
S = Stainless Steel  
LED = LED - lighting

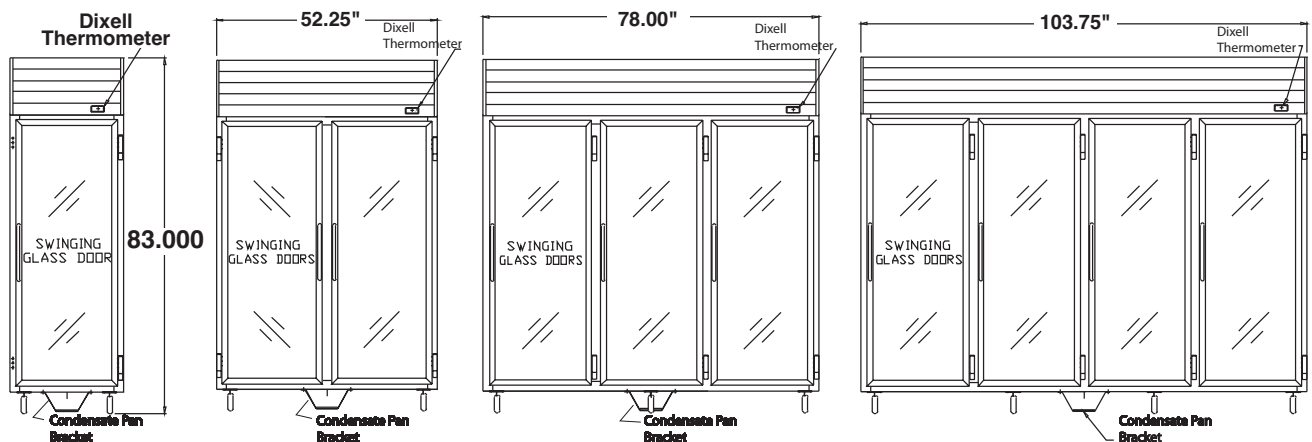
- Cases are designed to operate at 75 degrees Fahrenheit and 55% relative humidity
- Cases are equipped with drains; Drain Connection Required.
- Specification subject to change without notice
- Remotes supplied with R404A-Expansion Valve\* (does not include solenoid valves)
- All refrigerant and expansion values are subject to change per SNAP (EPA) regulations.

## GR Series - Hinged Glass Doors Top Mount Refrigerators - 83"H Technical Data • Side View • Front Views

### Cross Section

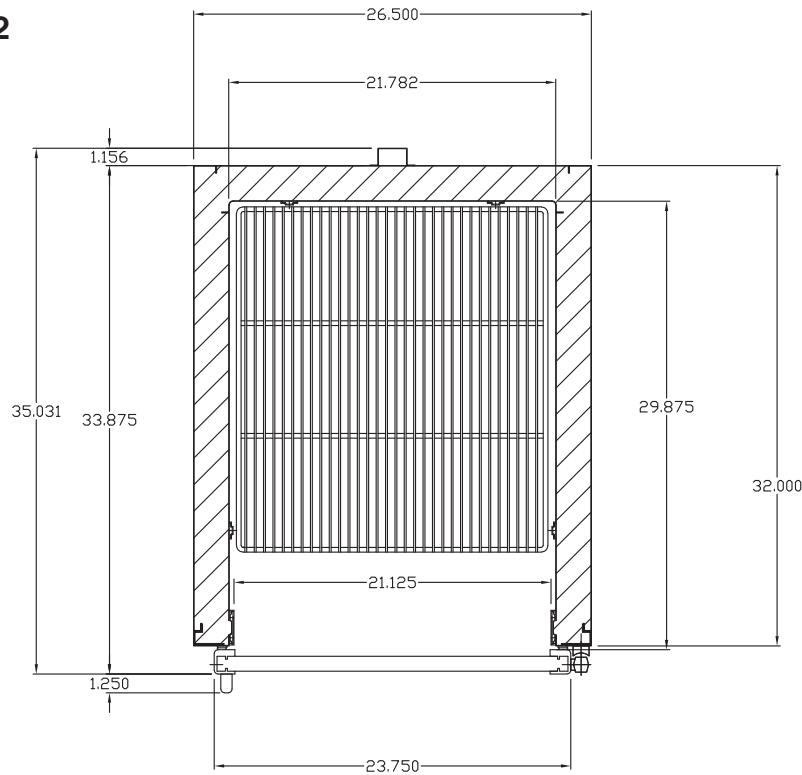


### Front Views Swinging Glass Doors

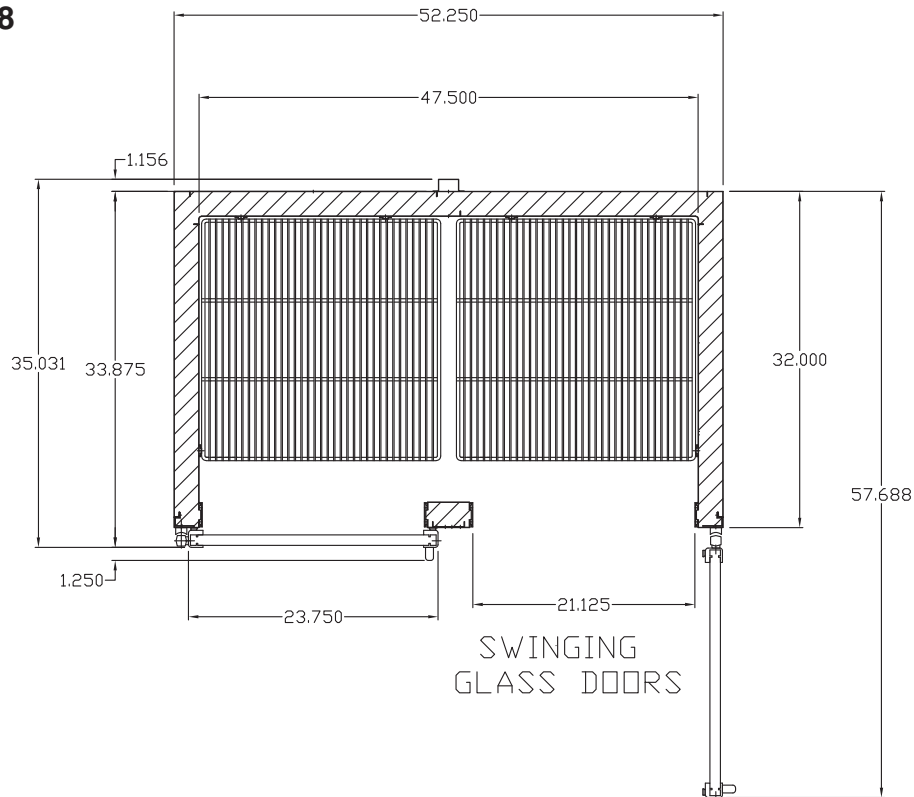


## GR Series - Hinged Glass Doors Top Mount Refrigerators - 83"H Technical Data • Top Views

**GR22**



**GR48**



## GR Series - Hinged Glass Doors Top Mount Refrigerators - 83"H Technical Data • Top Views

