



A-33 DIPPER WELL FAUCET

Conforms To NSF 61/9 Lead Free Requirements



Item #:	_____	Qty #:	_____
Model #:	_____		
Project #:	_____		

FEATURES:

- Deck Mount Faucet.
- 1/4" NPT supply.
- Operating Pressure: 20-125 psi.
- Water Flow Rate: 1.22 gpm @ 45 psi

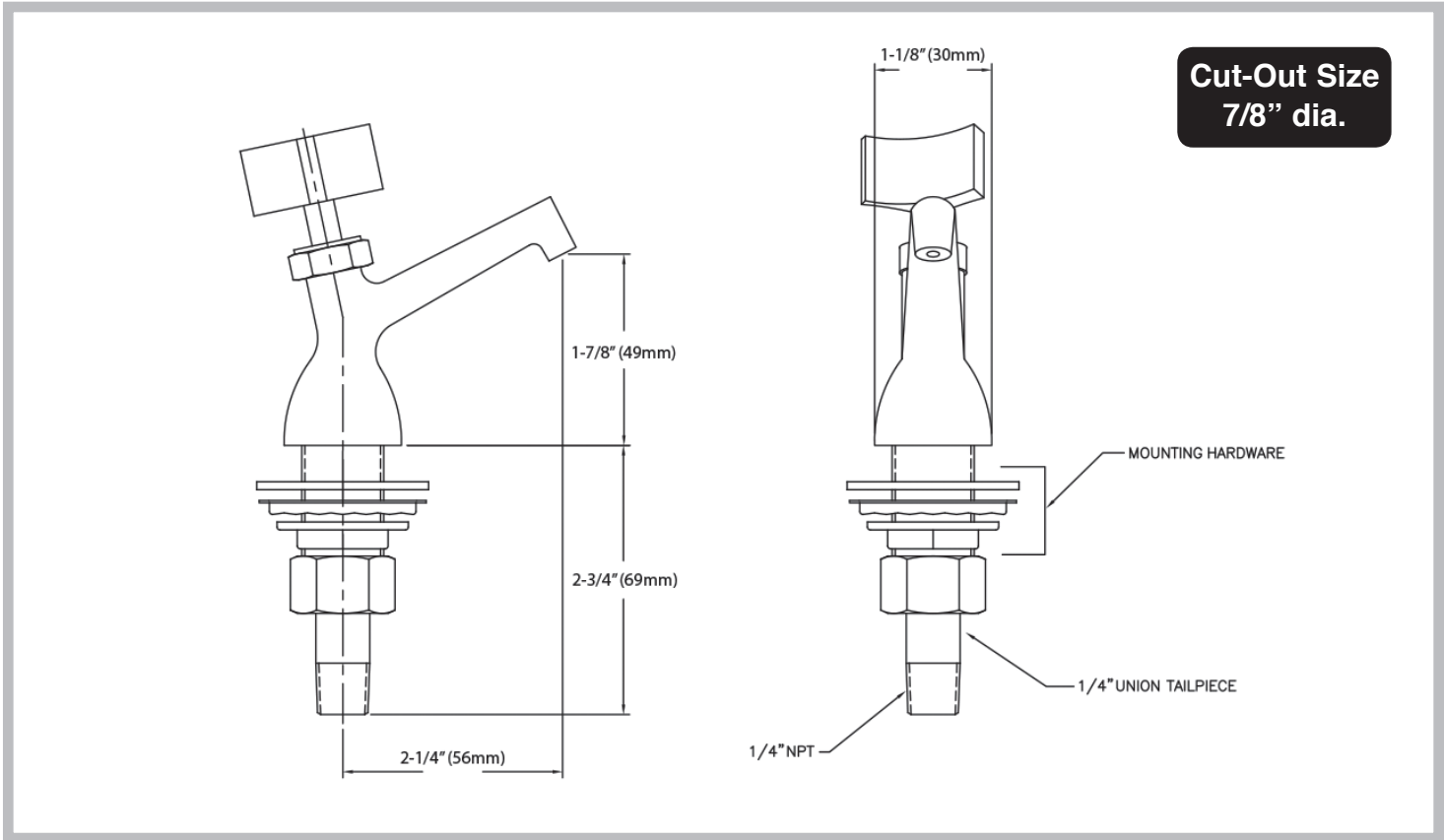
MATERIAL:

- Body constructed of chrome plated, solid brass construction.
- Solid chrome plated Handle.

← 1/4" NPT Union Tailpiece

⚠ WARNING:
Faucet(s) on this page may expose you to chemicals, including lead, that are known to the State of California to cause cancer or birth defects or other reproductive harm. For more Info., visit www.p65warnings.ca.gov.

DIMENSIONS and SPECIFICATIONS



**Cut-Out Size
7/8" dia.**



Customer Service Available To Assist You **1-800-645-3166** 8:30 am - 8:00 pm E.S.T.

For Orders & Customer Service:
Email: customer@advancetabco.com or Fax: 631-242-6900

For Smart Fabrication™ Quotes:
Email: smartfab@advancetabco.com or Fax: 631-586-2933