



HANDLING AND STORAGE

SERVING THE FOOD INDUSTRY SINCE 1951

## GREASE TRAPS

*Omcan's grease traps prevent grease from entering into plumbing system, septic fields, and wastewater facilities. These grease traps are built to last; made from 11-gauge cold rolled steel with an oven-cured and acid-resistant baked gray epoxy coating. Ideal use for cooking or prep sinks, pot sinks, or commercial dishwashers in various types of commercial food service operations. May be recess mounted or floor mounted.*



Item 46517 shown.



**WARRANTY**



Authorized Dealer

# HANDLING AND STORAGE

## GREASE TRAP WITH 8 LBS. CAPACITY



### FEATURES

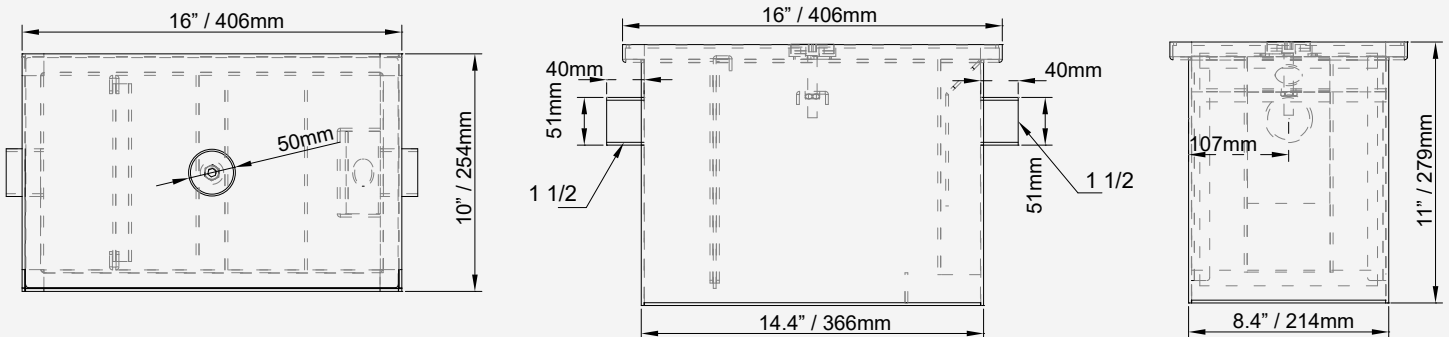
- 11-gauge cold rolled steel with an oven-cured and acid-resistant baked gray epoxy coating
- 4 GPM flow rate
- 8 lb. grease capacity
- 2" threaded inlet & outlet

### TECHNICAL SPECIFICATIONS

ITEM	46560
GREASE CAPACITY	8 lbs.
FLOW RATE	4 GPM (Gallons per Minute)
THREADED INLET AND OUTLET SIZE	2"
DIMENSIONS (DWH)	16" x 10" x 11"



### TECHNICAL DRAWINGS WITH DETAILED DIMENSIONS



## OMCAN INC.

Telephone: 1-800-465-0234  
 Fax: (905) 607-0234  
 Email: sales@omcan.com  
 Website: www.omcan.com



Follow us to keep up to date  
 with the latest news and offers



# HANDLING AND STORAGE

GREASE TRAP WITH 40 LBS. CAPACITY



Item 46517 shown.



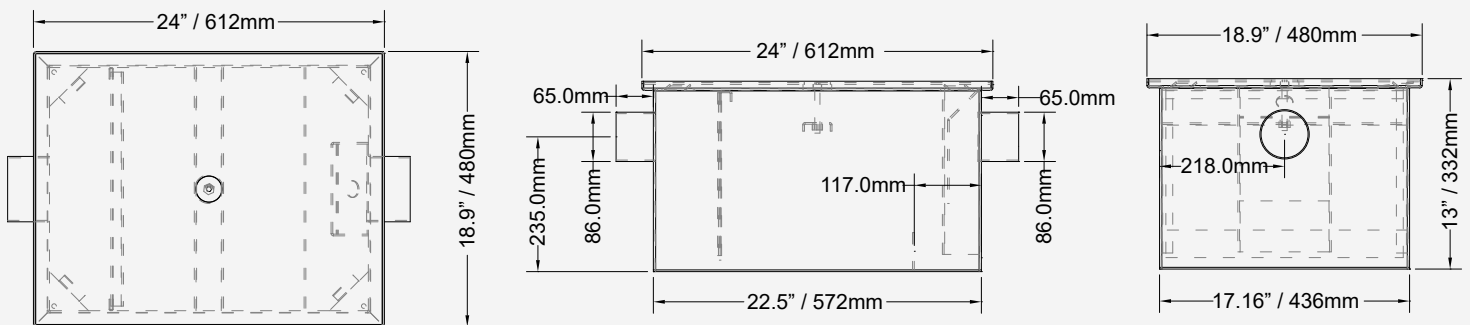
## FEATURES

- 11-gauge cold rolled steel with an oven-cured and acid-resistant baked gray epoxy coating
- 20 GPM flow rate
- 40 lb. grease capacity
- 3" threaded inlet & outlet

## TECHNICAL SPECIFICATIONS

ITEM	46517
GREASE CAPACITY	40 lbs.
FLOW RATE	20 GPM (Gallons per Minute)
THREADED INLET AND OUTLET SIZE	3"
DIMENSIONS (DWH)	24" x 18.9" x 13"

## TECHNICAL DRAWINGS WITH DETAILED DIMENSIONS



## OMCAN INC.

Telephone: 1-800-465-0234  
 Fax: (905) 607-0234  
 Email: sales@omcan.com  
 Website: www.omcan.com



Follow us to keep up to date  
 with the latest news and offers



# HANDLING AND STORAGE

GREASE TRAP WITH 100 LBS. CAPACITY



## FEATURES

- 11-gauge cold rolled steel with an oven-cured and acid-resistant baked gray epoxy coating
- 50 GPM flow rate
- 100 lb. grease capacity
- 4" threaded inlet & outlet

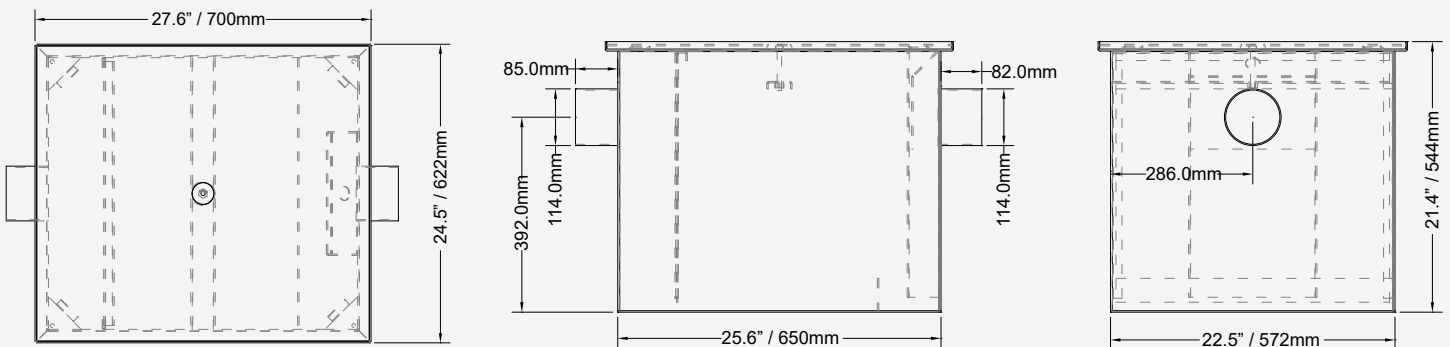
## TECHNICAL SPECIFICATIONS

Item 46517 shown.



ITEM	46561
GREASE CAPACITY	100 lbs.
FLOW RATE	50 GPM (Gallons per Minute)
THREADED INLET AND OUTLET SIZE	4"
DIMENSIONS (DWH)	27.6" x 24.5" x 21.4"

## TECHNICAL DRAWINGS WITH DETAILED DIMENSIONS



## OMCAN INC.

Telephone: 1-800-465-0234  
 Fax: (905) 607-0234  
 Email: [sales@omcan.com](mailto:sales@omcan.com)  
 Website: [www.omcan.com](http://www.omcan.com)



Follow us to keep up to date  
 with the latest news and offers

