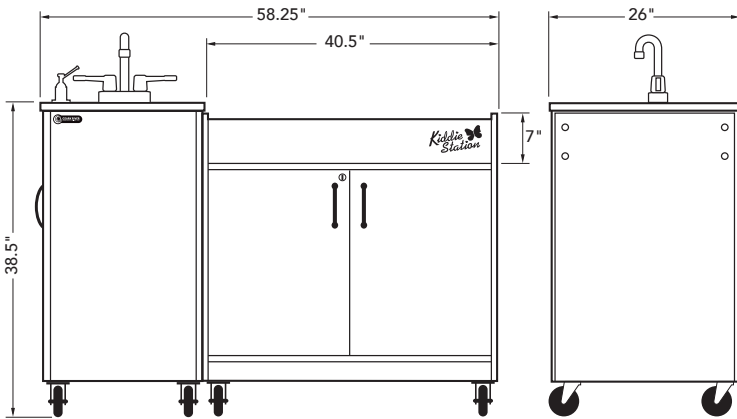


KIDDIE STATION

Our Kiddie Station took some notes from the other self-contained, portable, hot water, handwashing sinks we manufacture and decided to one-up them. Not only is this portable sink fit with all the point-of-contact handwashings you could need, but it's also bringing some innovation to the table, the changing table that is.

Featuring a 7" deep changing station and changing pad with locking storage right below for instant access to all necessities, this moveable model may not be NSF-certified, but it is the all-in-one station for infant and caretaker hygiene needs. The easily cleaned, one-piece, integrated ABS countertop and single sink basin with built-in, top-fill soap dispenser and ADA-compliant wrist action handles ensure this model is built for those lil hands and those who care for them.



KSSTM-ABW-AB1

Model Name	Kiddie Station
NSF Certified	No
LivingGreen Certified	Yes
SACERS Rating	12, 3.4, 5.1, 5.2
CARB 93120 Phase 2	Yes
Electrical Requirements	110V, 20A Dedicated Outlet and Breaker
On-Demand Hot Water	Approx. 40°F Above Water Temperature
GPM	0.50
Approx Handwashings	45-60 (5 gallon tank)
Product Dimensions	58.25"W x 26"D x 38.5"H
Product Weight	251 lbs.
Basin	Single Integrated ABS Plastic
Basin Dimensions	11.5" W x 10.5" L x 6.5" D
Countertop Material	White ABS Plastic
Cabinet Material	Phthalate, Lead Free Millwork
Cabinet Color	Maple
Fresh Water Tank	5 Gallon Capacity, FDA Approved
Waste Water Tank	6 Gallon Capacity, FDA Approved
Faucet Style	ADA Compliant Wrist Action Handles
Door Lock	Keyless
Soap Dispenser	Liquid Only, Countertop Mount
Cabinet Wheels	3" Front Locking/Swivel Casters
Warranty	2 Year

Minimum Operating Requirements

- Each sink must use a grounded, dedicated 110V, 20A circuit breaker
- Sinks must be used on a dry, level indoor surface
- Extension cord must be 12/3, rated at 20A or higher
- Water must meet EPA standards (PH between 7.0 and 9.0)

- BEAUTY + WELLNESS
- EDUCATION + CLASSROOM
- FOOD SAFETY
- HEALTHCARE



IMPORTANT!

Consult with your state and local environmental health official to confirm usage of portable sinks in place of plumbing.



GREATER NASHVILLE AREA

call 1.866.663.1982

OzarkRiver.com