



Underbar Sinks

Stainless Steel Underbar Sinks

RESOURCES

Certifications:



Certified to
NSF/ANSI/CAN 61-G & 372

Features:

- Integrally Welded Bowls 10"(l) x 14"(w) x 10"(d)
- Stamped and Pitched Drainboards
- Standard 18"- 21" Depth
- Includes: BKD-10-G Faucet, BKDR-2 Basket Drains, BK-OT-15075 7" Overflow Tubes
- 18ga SS Front Panels w/ Galv Base
- Removable SS Front Panel on Base

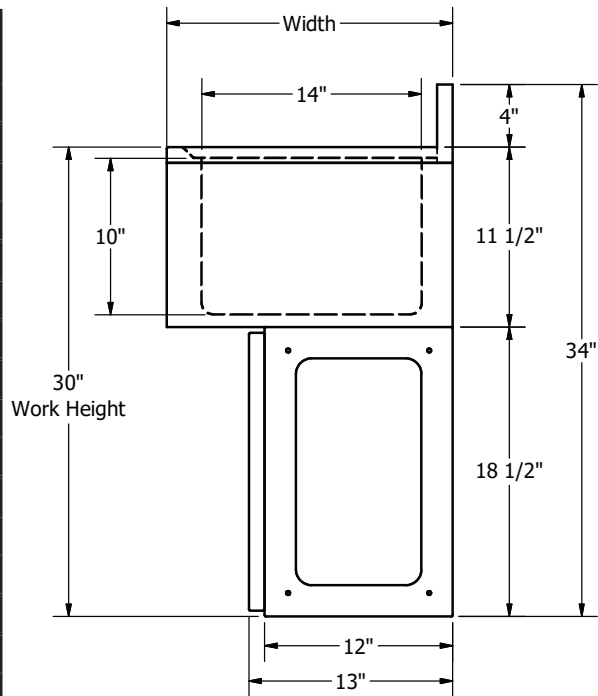
Material:

- T-304 18 ga. Stainless Steel



Use your smart phone to scan the above QR code to visit our website:
www.bk-resources.com

Length	Width	Part Number	# of Bowls	Sets of Faucet Holes	Drainboard Size
24"	18-1/4"	UBB-18-224S	2	1	N/A
24"	18-1/4"	UBB-21-224S	2	1	N/A
36"	18-1/4"	UBB-18-236LS	2	1	L-12-3/4"
36"	18-1/4"	UBB-18-236RS	2	1	R-12-3/4"
36"	18-1/4"	UBB-18-336S	3	1	N/A
36"	18-1/4"	UBB-21-336S	3	1	N/A
48"	18-1/4"	UBB-18-248TS	2	1	2) 13-3/16"
48"	18-1/4"	UBB-21-248TS	2	1	2) 13-3/16"
48"	18-1/4"	UBB-18-348LS	3	1	L-13-5/8"
48"	18-1/4"	UBB-18-348RS	3	1	R-13-5/8"
48"	18-1/4"	UBB-21-348LS	3	1	L-13-5/8"
48"	18-1/4"	UBB-21-348RS	3	1	R-13-5/8"
60"	18-1/4"	UBB-18-360TS	3	1	(2) 13-1/2"
60"	18-1/4"	UBB-21-360TS	3	1	(2) 13-1/2"
72"	18-1/4"	UBB-18-372TS	3	1	(2) 19"
72"	18-1/4"	UBB-18-472TS	4	2	(2) 13-3/4"
72"	18-1/4"	UBB-21-372TS	3	1	(2) - 19"
72"	18-1/4"	UBB-21-472TS	4	2	(2) - 13-3/4"
84"	18-1/4"	UBB-18-384TS	3	1	(2) - 25"
84"	18-1/4"	UBB-21-384TS	3	1	(2) - 25"
84"	18-1/4"	UBB-18-484TS	4	2	19"
84"	18-1/4"	UBB-21-484TS	4	2	(2) - 19"
96"	18-1/4"	UBB-21-396TS	3	1	(2) - 31"
96"	18-1/4"	UBB-18-496TS	4	2	(2) 25"
96"	18-1/4"	UBB-21-496TS	4	2	(2) 25"



PRODUCT DATA SHEET