

Specification Sheet

Short Form Specifications

BlendPort® BPFE Series Economy Sink, model _____.
Type 304 stainless steel construction. Features galvanized legs and gussets, plastic bullet feet, 12"-deep bowls, and faucet holes on 8" centers.



Item No.: _____
Project No.: _____
S.I.S. No.: _____

BlendPort® BPFE Series Economy Sinks

- Type 304 stainless steel construction.
- Galvanized legs and gussets.
- Plastic bullet feet.
- Legs are 21" high.
- 12"-deep sink bowls with 3.5" basket drain.
- Available with one, two, or three compartments.
- Bowl straps between bowls.
- Faucet holes on 8" centers.

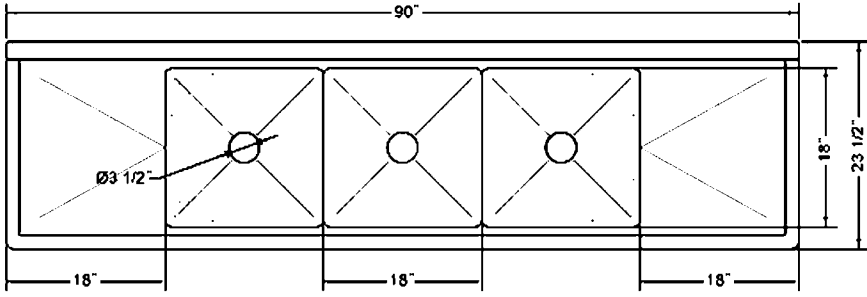
number of compartments	bowl size	# of drainboards	drainboard length	overall front-to-back	overall end-to-end	gauge of stainless steel	weight	model #
1	18" x 18"	0	n/a	23.5"	23"	18 gauge	65 lbs.	BPS-1818-1-FE
1	18" x 18"	1 (left)	18"	23.5"	38.5"	18 gauge	88 lbs.	BPS-1818-1-18L-FE
1	18" x 18"	1 (right)	18"	23.5"	38.5"	18 gauge	88 lbs.	BPS-1818-1-18R-FE
2	18" x 18"	0	n/a	23.5"	41"	18 gauge	94 lbs.	BPS-1836-2-FE
2	18" x 18"	1 (left)	18"	23.5"	56.5"	18 gauge	117 lbs.	BPS-1836-2-18L-FE
2	18" x 18"	1 (right)	18"	23.5"	56.5"	18 gauge	117 lbs.	BPS-1836-2-18R-FE
2	18" x 18"	2	18"	23.5"	72"	18 gauge	134 lbs.	BPS-1836-2-18-FE
3	18" x 18"	0	n/a	23.5"	59"	18 gauge	179 lbs.	BPS-1854-3-FE
3	18" x 18"	1 (left)	18"	23.5"	74.5"	18 gauge	189 lbs.	BPS-1854-3-18L-FE
3	18" x 18"	1 (right)	18"	23.5"	74.5"	18 gauge	189 lbs.	BPS-1854-3-18R-FE
3	18" x 18"	2	18"	23.5"	90"	18 gauge	205 lbs.	BPS-1854-3-18-FE
3	24" x 24"	0	n/a	29.5"	77"	16 gauge	210 lbs.	BPS-2472-3-FE*
3	24" x 24"	1 (left)	24"	29.5"	98.5"	16 gauge	231 lbs.	BPS-2472-3-24L-FE*
3	24" x 24"	1 (right)	24"	29.5"	98.5"	16 gauge	231 lbs.	BPS-2472-3-24R-FE*
3	24" x 24"	2	24"	29.5"	120"	16 gauge	275 lbs.	BPS-2472-3-24-FE*

* Features two sets of faucet holes.

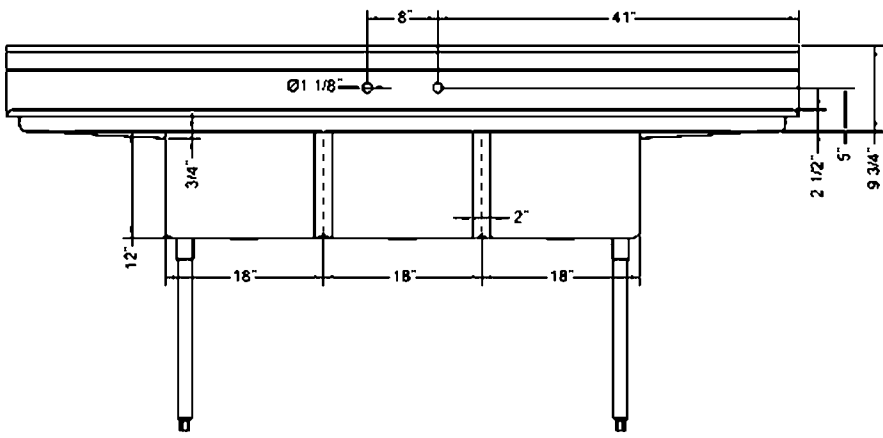


Item No.:	_____
Project No.:	_____
S.I.S. No.:	_____

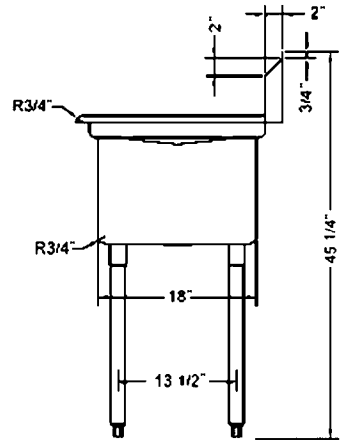
BlendPort® BPFE Series Economy Sinks



TOP VIEW



FRONT VIEW



SIDE VIEW

(Note: #BPS-1854-3-18-FE shown)

BlendPort®
An Eagle Group Company
100 Industrial Boulevard, Clayton, DE 19938-8903 USA
Phone: 800-441-8440 • Fax: 302-653-2065

Printed in U.S.A.
©2023 by Eagle Group
Rev. 03/23

Although every attempt has been made to ensure the accuracy of the information provided, we cannot be held responsible for typographical or printing errors. Information and specifications are subject to change without notice. Please confirm at time of order.