



KC72 with stainless doors, stainless top, and 3 faucet column tower.



Intertek
 4004503
 Conforms to NSF/ANSI STD 7
 and UL STD 471



Certified to CSA STD C22.2 No. 120

Meets NSF 7 requirements for closed container products



Intertek
 EP 5016978
 Energy Performance Verified /
 Rendement Énergétique Vérifié

Standard Features

- Self-contained
- Galvanized steel interior with stainless steel floor
- Locking doors
- Stainless steel keg racks and 1/2" thick high impact polypropylene threshold scuff plate
- Heated mullion to minimize condensation
- Stainless steel evaporator housing with separate removable evaporator drain pan

| | |
|--------------------------|------------|
| Project: _____ | AIA# _____ |
| Item #: _____ Qty: _____ | SIS# _____ |
| Model #: _____ | |

Keg Cooler 72" Self-Contained

| | |
|-----------|------|
| KC | KC72 |
|-----------|------|

CONFIGURATION HIGHLIGHT



Configurable Options

- | | |
|--|--|
| <p>Temperature:</p> <ul style="list-style-type: none"> • Beer - 34°F to 40°F • White wine - 50°F to 55°F • Red wine - 60°F to 65°F <p>Refrigeration Compartment</p> <p>Location:</p> <ul style="list-style-type: none"> • Left or Right <p>Front Finish:</p> <ul style="list-style-type: none"> • Black vinyl-clad • Stainless steel <p>Door Hinge Location (specify for each door):</p> <ul style="list-style-type: none"> • Left or Right <p>Door Handle:</p> <ul style="list-style-type: none"> • Signature • Pull-tab • Tube <p>Top Style:</p> <ul style="list-style-type: none"> • No finished top • Stainless top | <p>Left and Right Side Finish:</p> <ul style="list-style-type: none"> • Black vinyl-clad • Stainless steel <p>Back Finish:</p> <ul style="list-style-type: none"> • Galvanized steel • Stainless steel <p>Tower Style:</p> <ul style="list-style-type: none"> • Column (CT) • Beverage (BT) <p>Tower Finish</p> <ul style="list-style-type: none"> • Stainless • Mirror • Brass <p>Faucet(s)</p> <ul style="list-style-type: none"> • 1, 2, or 3 for CT • 4, 5, 6, 8, or 10 for BT |
|--|--|

| | |
|--|------------------------|
| <p>Glastender, Inc. • 5400 N Michigan Rd • Saginaw, MI • 48604-9780 989.752.4275 • 800.748.0423 • Fax 989.752.4444 www.glastender.com</p> | <p>Approval/Notes:</p> |
| <p>Specifications subject to change without notice. For current specifications please visit our website.</p> | |

Keg Cooler 72" Self-Contained

Specifications

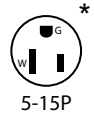
| | | KC72 |
|-------------------------|--------------------|--|
| Dimensions | Length | 72" |
| | Number of Sections | 2 |
| | Door Opening | 20" |
| Electrical | Electrical Supply | 120V, 1 phase, 60 Hz, dedicated 15A circuit required |
| | Full Load Amps | 3.5 |
| | Plug Type | 8 foot NEMA 5-15P grounded cord and plug which exits the back of refrigeration compartment |
| Refrigeration | Refrigerant | R290 refrigerant - 125 grams, 4.41 oz., 0.28 pounds |
| | Compressor | Reciprocating, 1/6 HP, 1300 BTUH, 0.11 Tons |
| | Heat Rejection | 1430 BTUH |
| Operating Range | | 34°F (1°C) to 65°F (18°C) |
| Plumbing | | Automatic condensate evaporator. No drain connection required † |
| Weight Bearing Capacity | | Countertops and other accessories should not exceed 500 pounds per door |

Materials

- Stainless steel parts include: exterior sub-top, interior floor, evaporator cover, front of cabinet, hinges, hinge and lock brackets, and optional legs
- Black vinyl-clad steel parts include: standard sides, doors, and compressor cover
- Galvanized steel parts include: interior walls and ceiling, back and bottom
- Zinc plated CR steel parts include: leg sockets

Plumbing

- 1/2" tailpiece provided on drain pan and pre-plumbed drain line which exists out the bottom of the refrigeration compartment



5-15P

† Building conditions outside the guidelines of ASHRAE 55 and ASHRE 62.1 may need to be plumbed to a drain.

Capacities

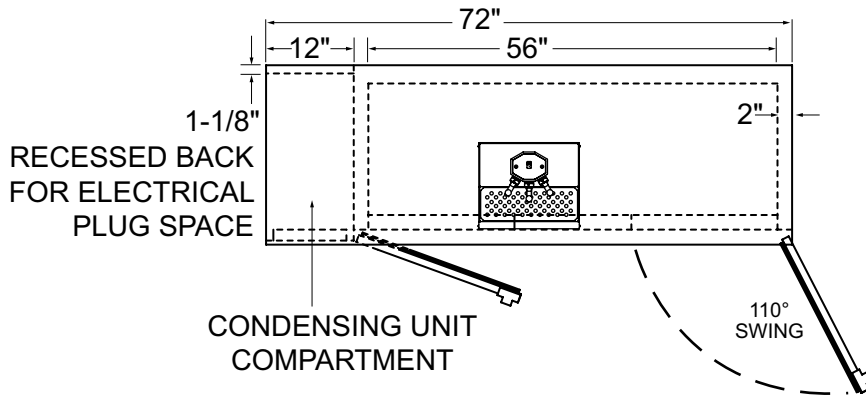
| | KC72 |
|--------------|------|
| 1/2 Barrels | 3 |
| 1/4 Barrels | 3 |
| 1/6 Barrels* | 11 |

*Consult factory for different tower options

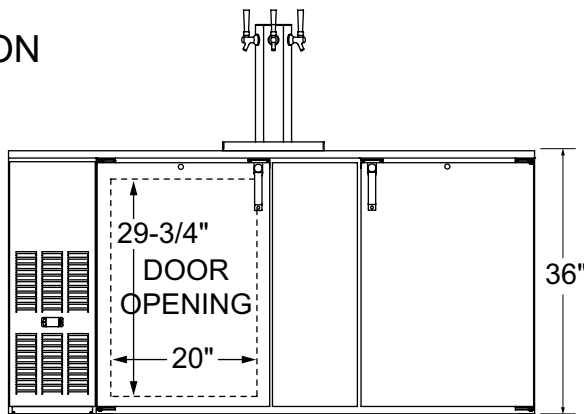
Keg Cooler 72" Self-Contained

Drawings

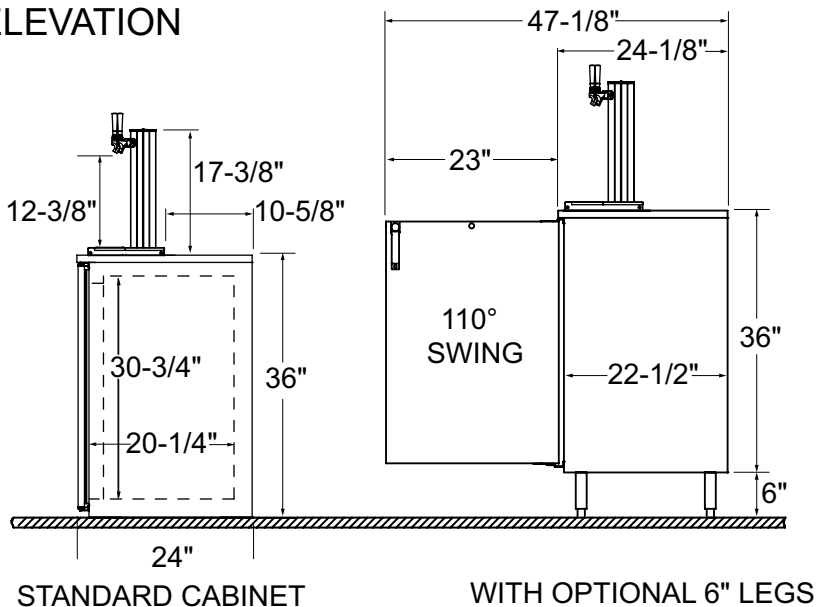
PLAN VIEW



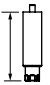
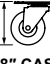
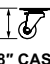
FRONT ELEVATION



SIDE ELEVATION



OPTIONAL LEGS AND CASTERS

- 5-1/2" to 7"  6" LEG
- 4-1/8"  4-1/8" CASTER
- 2-7/8"  2-7/8" CASTER

NOTE: ALL DRAWINGS SHOWN WITH CT-3 COLUMN DRAFT BEVERAGE TOWER



5400 N Michigan Rd • Saginaw, MI • 48604-9780
 989.752.4275 • 800.748.0423 • Fax 989.752.4444
 www.glastender.com



Configuring Bar Profile Coolers for Draft Beverage Dispensing

All Glastender bar profile coolers can be configured for draft beverage dispensing. Please note that a minimum 17" wide door opening is required for full size (i.e., 16" diameter) 1/2 barrel kegs. Refer to the capacity statements in the Product Directory or Specification Sheet for the sizes and quantities of kegs each unit will hold.

Direct Draw Draft Beverage Towers

Glastender Beverage Towers include the stainless steel faucets and shanks necessary to dispense keg beer, wine, soda, coffee, or cocktails. See individual price pages for complete information.

Tee Tower shown
See individual tower
spec sheets for
complete information

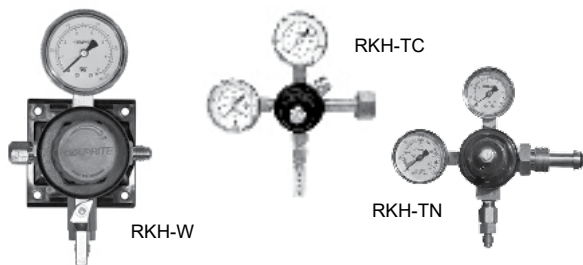
Look for the Draft Beer
Compatible logo



HIGH PRESSURE REGULATOR KITS

High pressure regulators reduce the gas pressure from the primary source. A tank mount regulator attaches directly to a gas cylinder, while a wall mount regulator splices into gas tubing when the gas supply is used for more than one system. RKH-TN regulator kits are used if pre-blended CO₂ and nitrogen or pure nitrogen cylinders are being used. All high pressure regulator kits include 50 feet of braided nylon gas tubing.

| MODEL | DESCRIPTION | WGT |
|--------|---|-----|
| RKH-W | Wall mount, CO ₂ or Nitrogen, single gauge | 15# |
| RKH-TC | Tank mount, CO ₂ , double gauge | 15# |
| RKH-TN | Tank mount, Nitrogen, double gauge | 15# |



ADDITIONAL ACCESSORIES

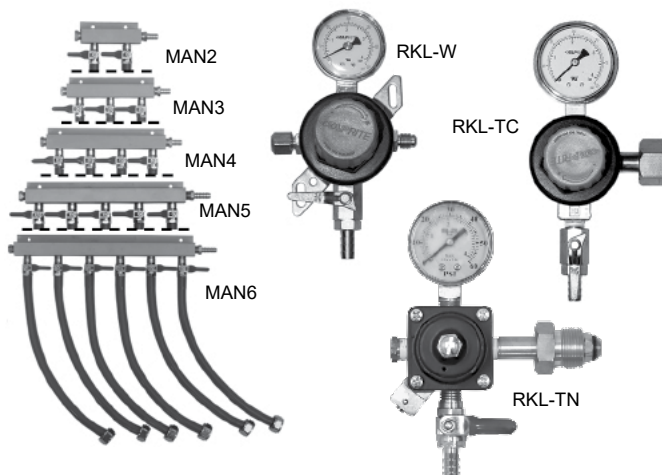
| MODEL | DESCRIPTION | WGT |
|----------|--|-----|
| 03004240 | 1/2" ID black drain line, per foot | N/A |
| 05000400 | 5/16" ID red vinyl air line, per foot | N/A |
| 05000386 | 1/4" ID nylon braided gas tubing, per foot | N/A |
| 05001066 | D system keg coupler w/ss probe | 2# |
| 05001026 | D system keg coupler, low profile | 2# |
| 05003763 | S system keg coupler w/ss probe, for select imports | 2# |
| 05002019 | U System Keg Coupler, stainless probe, for Guinness & Harp | 2# |
| 05000368 | Lock for beer faucet | 2# |
| 05000636 | 5# CO ₂ tank (unfilled) | 15# |
| LCK | Line cleaning kit | 3# |
| 06007084 | Drain bottle | 2# |



LOW PRESSURE REGULATOR KITS

Low pressure regulator kits connect to the gas tubing exiting a high pressure regulator. If a 5 pound gas cylinder will be kept inside the cooler, a single gauge tank mounted RKL-TC or -TN will be required depending on the gas being used. All low pressure regulator kits include 6 feet of red gas tubing. For installations requiring more than one keg on tap, also order the appropriate size manifold kit. All manifold kits include 6 feet of red gas tubing per product, and the clamps required for connecting to keg couplers (sold separately).

| MODEL | DESCRIPTION | WGT |
|--------|---|-----|
| RKL-W | Wall mount, CO ₂ or Nitrogen, single gauge | 7# |
| RKL-TC | Tank mount, CO ₂ , single gauge | 7# |
| RKL-TN | Tank mount, Nitrogen, single gauge | 7# |
| MAN2 | Two product manifold kit | 2# |
| MAN3 | Three product manifold kit | 3# |
| MAN4 | Four product manifold kit | 4# |
| MAN5 | Five product manifold kit | 5# |
| MAN6 | Six product manifold kit | 6# |



Tower Cooling Kits

Direct draw beverage towers are chilled by air from inside the host cooler. This is especially important for draft beer, as warm faucets cause the beer to foam.

TOWER COOLING KITS

| MODEL | DESCRIPTION | WGT |
|---------|---|-----|
| TCK12-1 | For 1 & 2-door coolers w/ one tower column | 3# |
| TCK12-2 | For 1 & 2-door coolers w/ two tower columns | 6# |
| TCK34-1 | For 3 & 4-door coolers w/ one tower column | 8# |
| TCK34-2 | For 3 & 4-door coolers w/ two tower columns | 11# |
| TCKR-1 | For remote coolers w/ one tower column | 3# |
| TCKR-2 | For remote coolers w/ two tower columns | 6# |